

## LR2 LENSES FOR LUXEON REBEL LEDs



LUXEON



- Specially designed for Luxeon Rebel series of LEDs.
- Special care taken to make a uniform white or warm white illumination.
- Lens material optical grade PMMA. Allows use of high current and temperature conditions (105°C/220°F)
- Best available optical efficiency, more than 90%, with an extremely good cut-off of light
- Comes with position pins
- Fastening of holden to PCB with appropriate adhesive tape, please check fastening details from this link: ([http://www.ledil.com/datasheets/DataSheet\\_TAPE.pdf](http://www.ledil.com/datasheets/DataSheet_TAPE.pdf))

## LENS TYPES

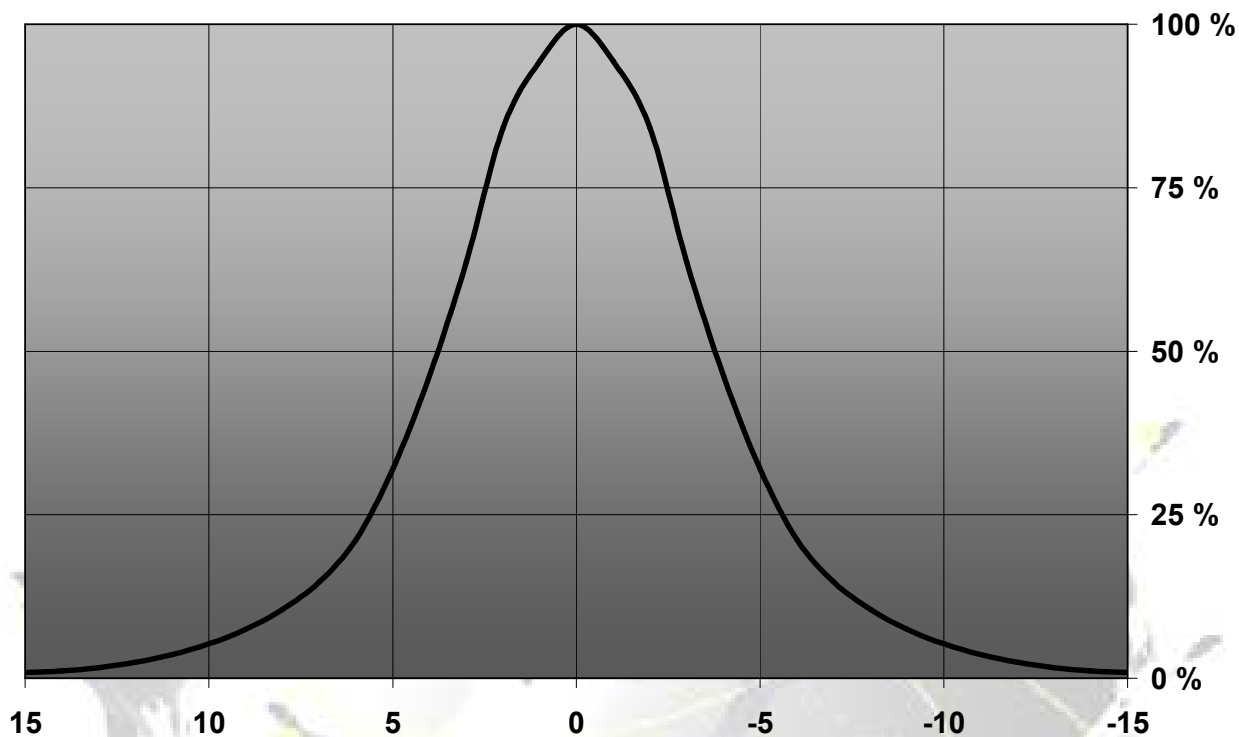
NAME	ORDERING CODE	FWHM Angle
LR2 REAL SPOT	CA11637_LR2-RS	±4°
LR2 DIFFUSER	CA11638_LR2-D	±5.5°
LR2 MEDIUM	CA11639_LR2-M	Coming soon
LR2 MEDIUM 2	4FCA11467_LR1-M-tape2	±15°
LR2 REC	4FCA11273_LR1-Rec-tape	±8° x ±19°
LR2 O-90	4FCA11276_LR1-O-90-tape	±18° x ±10°
LR2 WIDE	4FCA11275_LR1-W-tape	±23°

## EULUMDAT & IES FILES AVAILABLE BY REQUEST

© Ledil Oy – PRELIMINARY - Subject to change without prior notice

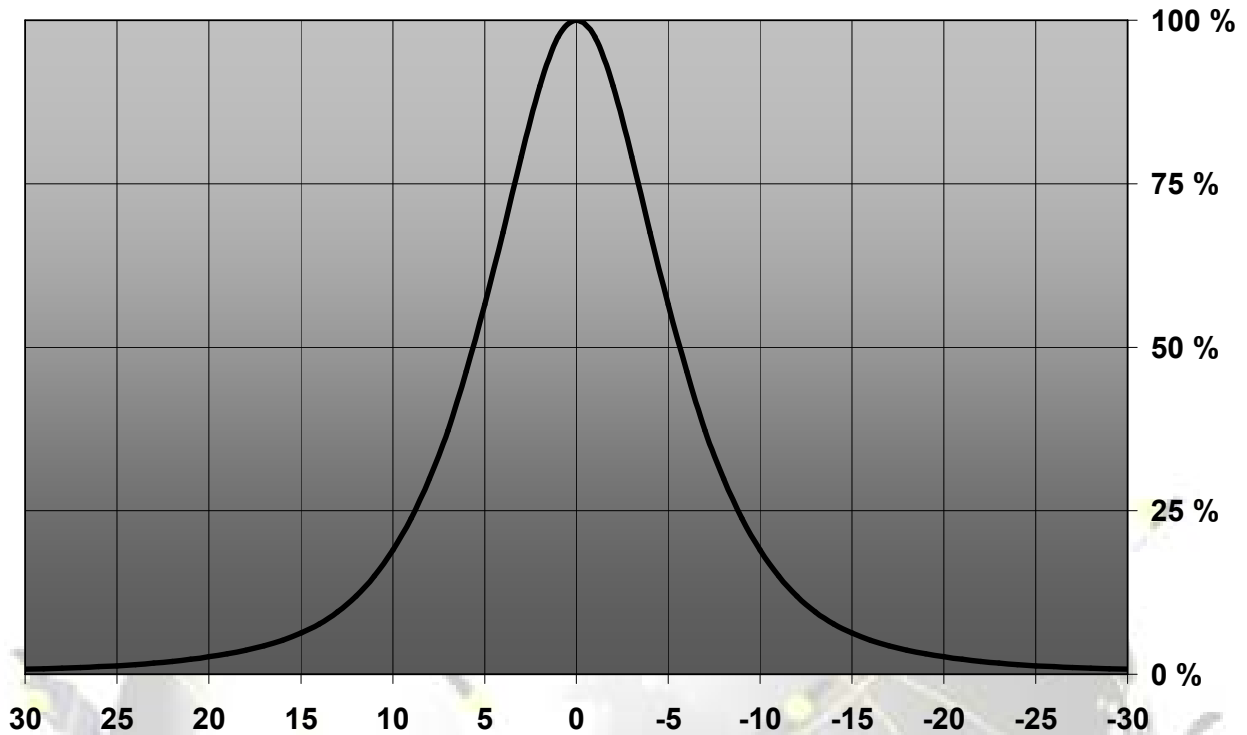
## MEASUREMENT DATA

Relative Intensity of CA11637\_LR2-RS



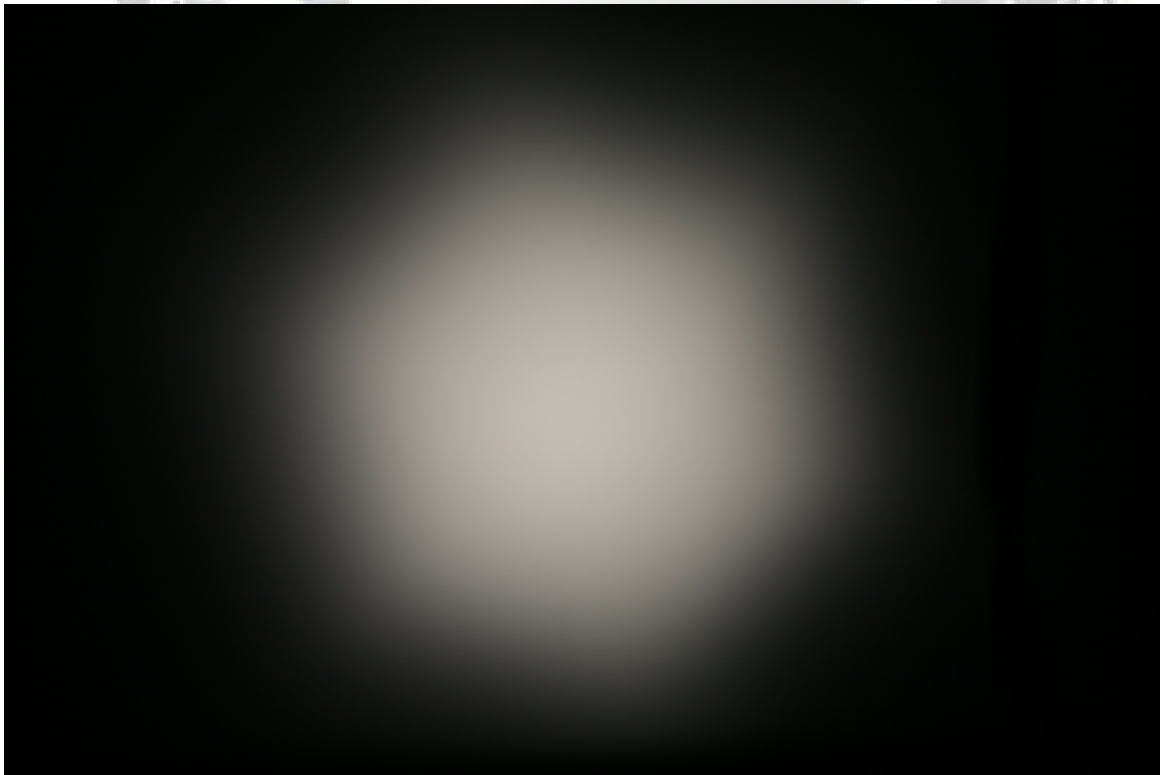
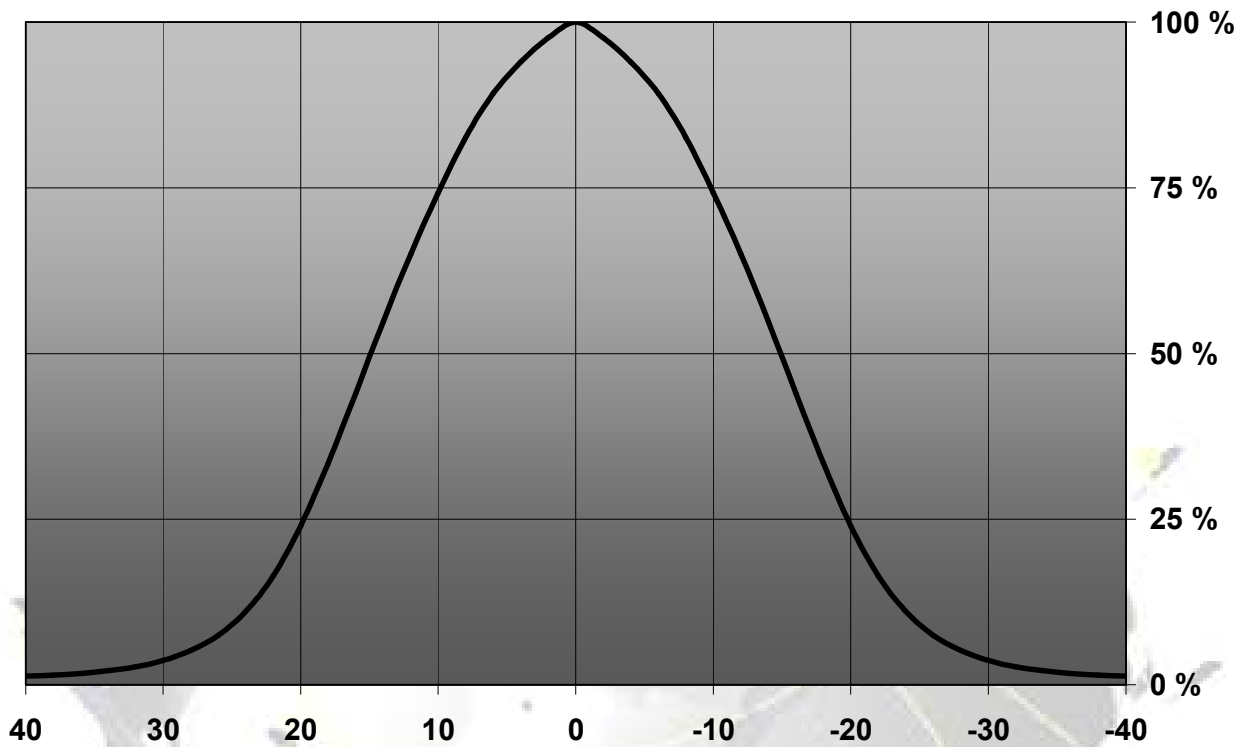
© Ledil Oy – PRELIMINARY - Subject to change without prior notice

Relative Intensity of CA11638\_LR2-D



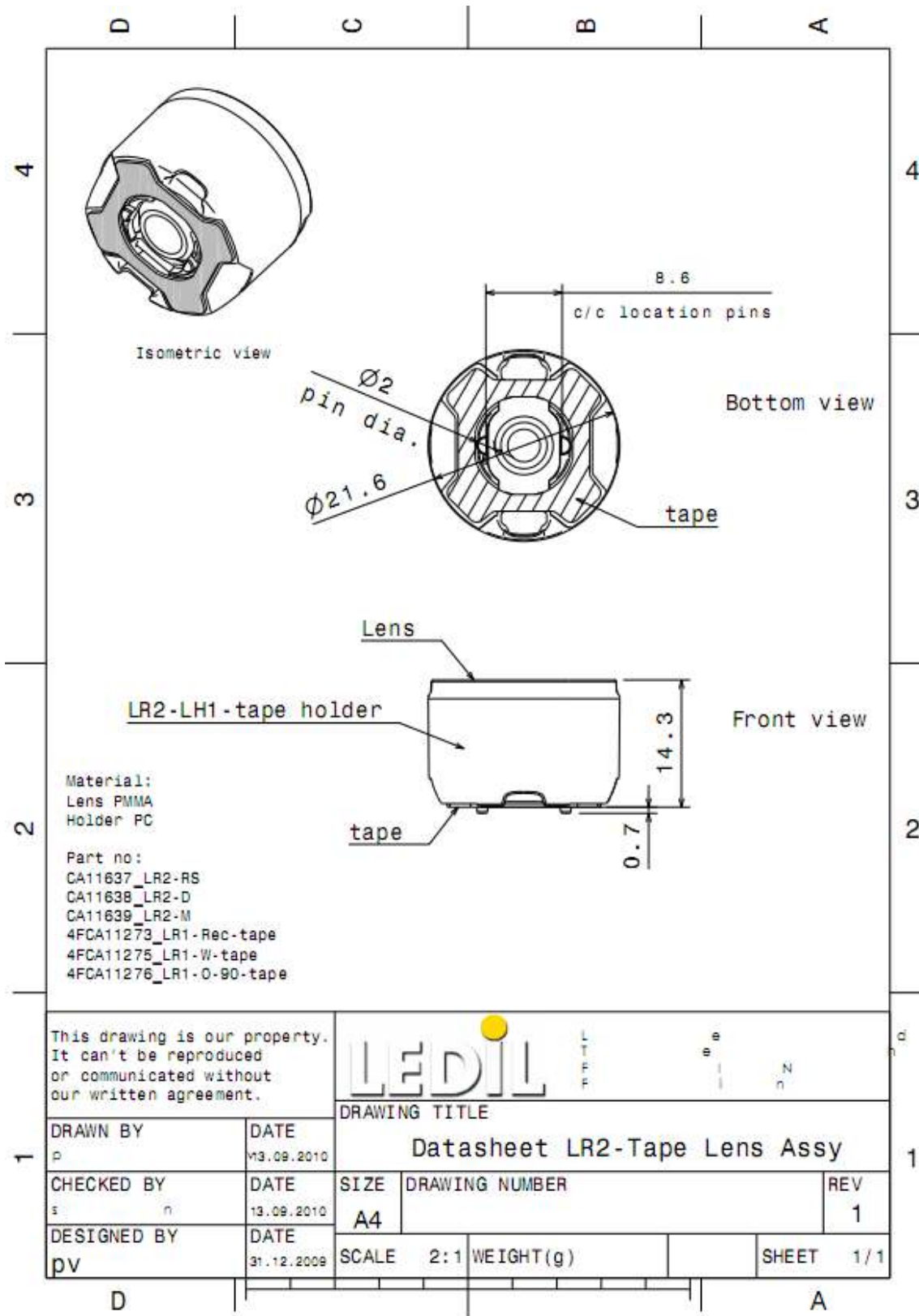
© Ledil Oy – PRELIMINARY - Subject to change without prior notice

Relative Intensity of 4FCA11467\_LR1-M-tape2



© Ledil Oy – PRELIMINARY - Subject to change without prior notice

## DRAWINGS



© Ledil Oy - PRELIMINARY - Subject to change without prior notice