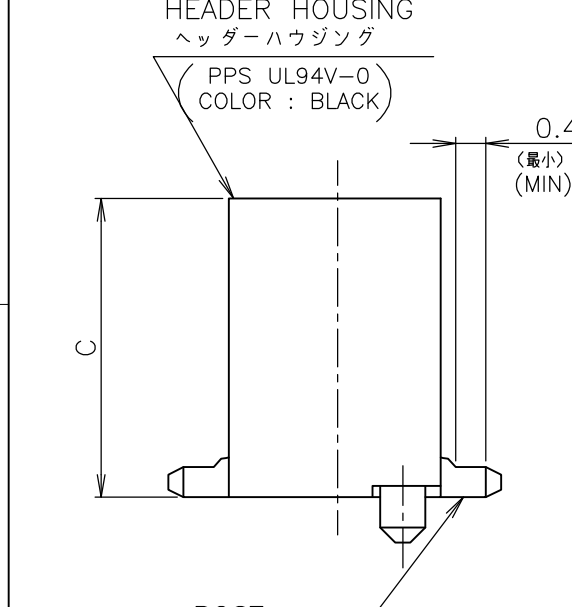
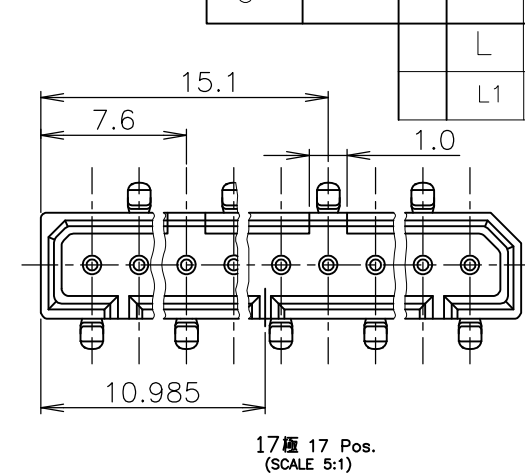
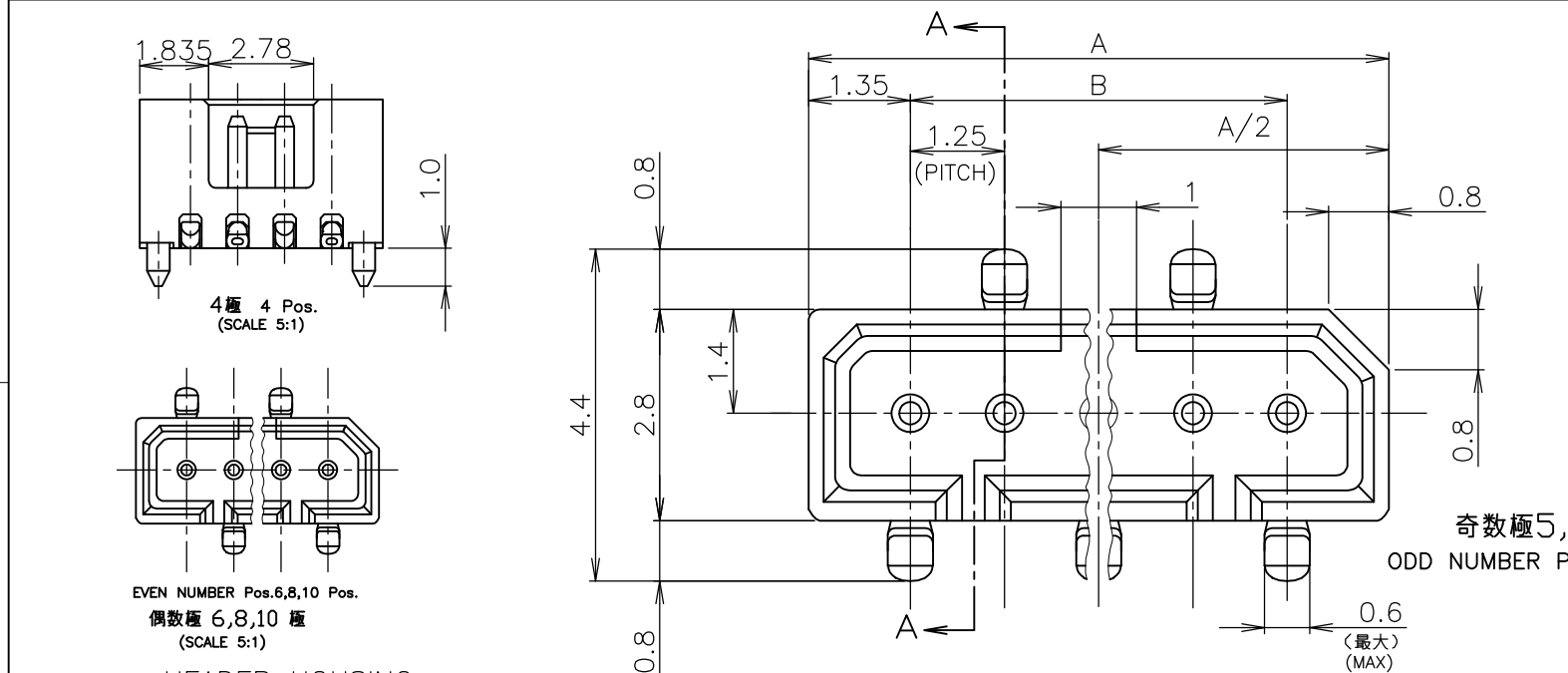


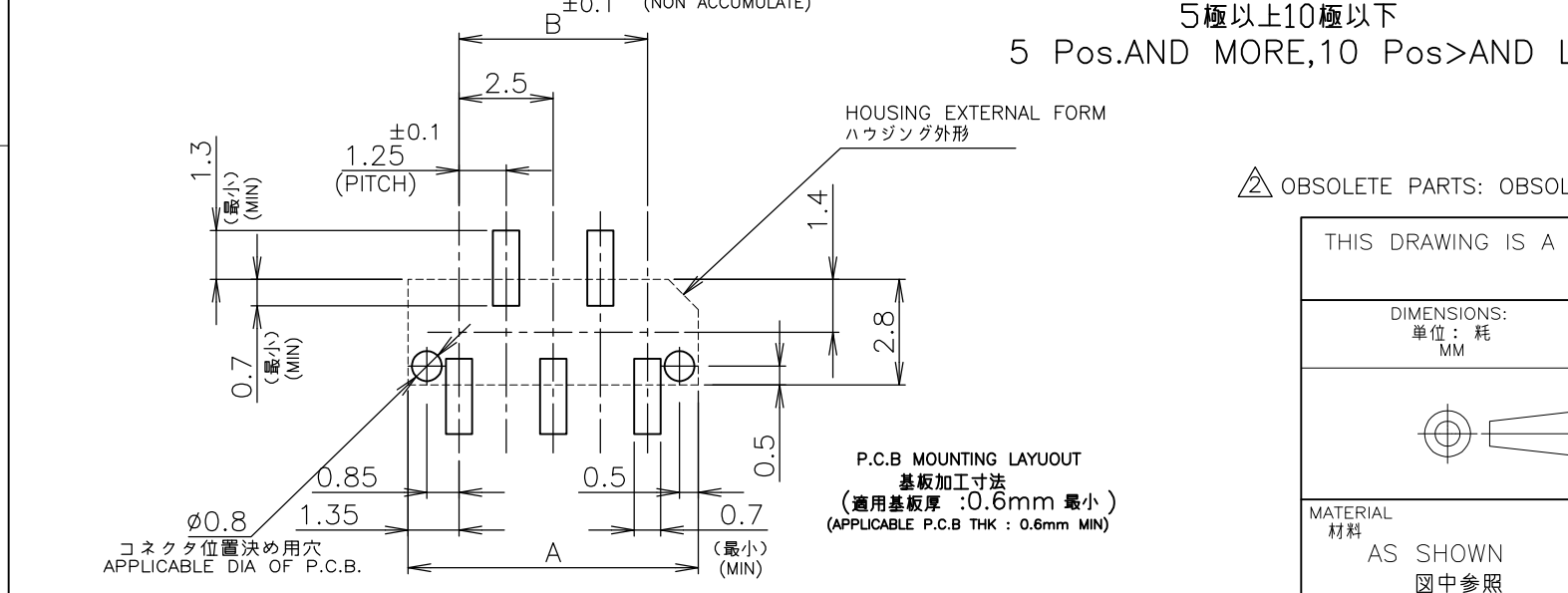
THIS DRAWING IS UNPUBLISHED. RELEASED FOR PUBLICATION  
 © COPYRIGHT BY TYCO ELECTRONICS CORPORATION. ALL RIGHTS RESERVED.

LOC	DIST	REVISIONS					
J		P	LTR	DESCRIPTION	DATE	DWN	APVD
		L		REVISED FJBO-0267-03	09MAY03	T.T	H.M
		L1		REV PER ECO-10-000443	18JAN10	KK	AEG

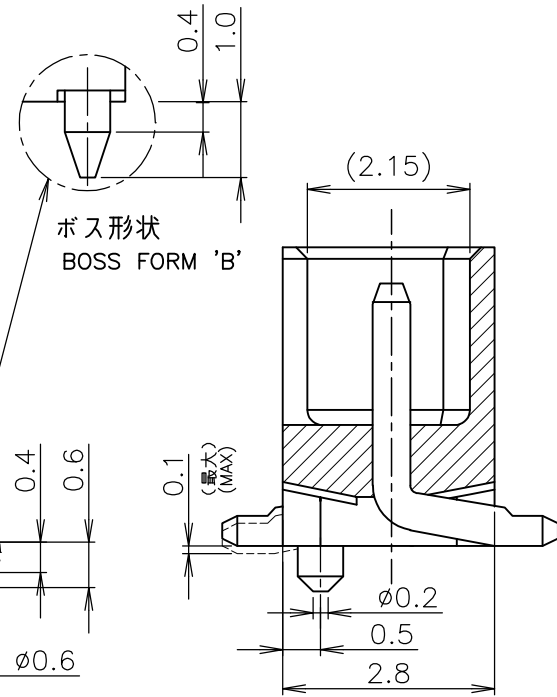
注記 1 嵌合相手製品型番及び、嵌合時寸法は  
 MATING COUNTER PART NUMBER AND DIMENSIONS  
 表-1 参照のこと。  
 AFTER MATING: SEE TABLE 1.  
 嵌合時寸法:巾(mm)x高さ(mm)  
 DIMENSIONS AFTER MATING: WIDTH(mm) x HEIGHT(mm)



POST  
 ニッケル下地 銅めっき仕上げ黄銅線  
 POST TIN PL.  
 Ni UNDER PL. ALL OVER BRASS WIRE  
 φ0.5



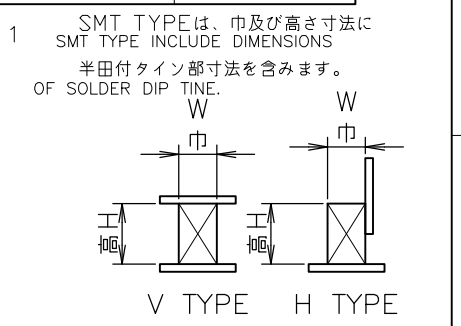
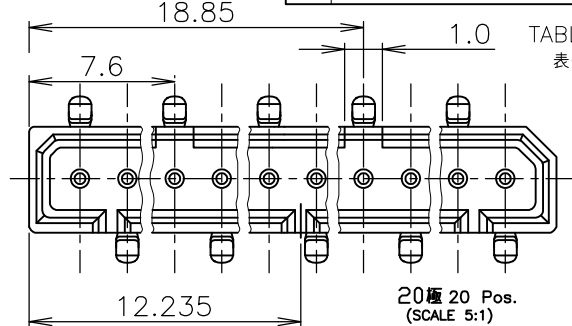
奇数極5,7極  
 ODD NUMBER Pos.5,7 Pos.



SECT A-A

5極以上10極以下  
 5 Pos.AND MORE,10 Pos>AND LESS

△ OBSOLETE PARTS: OBSOLETE CIS STREAMLINING PER D.RENAUD/D.SINISI



MATING COUNTER コネクタ CONN	POST HDR ASSY		SMT TYPE	
	X-174820-X ボス付 WITH BOSS		ハウジング高さC寸法 HOUSING HEIGHT C DIMENSIONS	
RECE HDR ASSY	3.95	5.95		
DIP TYPE	V TYPE X-174633-X	4.4<巾W>x 5.0<高H>	4.4<巾W>x 7.0<高H>	
	H TYPE X-174634-X	4.4<巾W>x 5.0<高H>	4.4<巾W>x 7.0<高H>	
SMT TYPE	ボス無 WITHOUT BOSS X-174902-X	4.4<巾W>x	4.4<巾W>x	
	ボス付 WITH BOSS X-174637-X	5.0<高H>	7.0<高H>	
	ボス無 WITHOUT BOSS X-174903-X	4.4<巾W>x	4.4<巾W>x	
	ボス付 WITH BOSS X-174638-X	5.8<高H>	7.8<高H>	

TABLE 1 SMT TYPEは、巾及び高さ寸法に  
 SMT TYPE INCLUDE DIMENSIONS  
 半田付タイプ寸法を含みます。  
 OF SOLDER DIP TYPE.

		25.45	23.75	26.45	20	8-	-0
		21.70	20.00	22.70	17	7-	-7
△ OBSOLETE	'A'	10.45	5.95	8.75	11.45	8	6-8
	'B'	12.95	11.25	13.95	10	4-	-0
	'A'	10.45	8.75	11.45	8	3-	-8
	'A'	9.20	7.50	10.20	7	3-	-7
	'A'	7.95	6.25	8.95	6	3-	-6
	'A'	6.70	5.00	7.70	5	3-	-5
	'B'	5.45	3.95	6.45	4	3-	3-174820-4
	ボス形状 BOSS TYPE	D	C	B	A	極数 Pos.	型番 P/N

THIS DRAWING IS A CONTROLLED DOCUMENT.		DWN S.KANEKI 14SEP92	tyco Electronics Tyco Electronics AMP K.K. Kawasaki,Japan	
DIMENSIONS: 単位: 耗 MM		CHK J.TANIGAWA 14SEP92	NAME S.KUBOURCHI	
TOLERANCES UNLESS OTHERWISE SPECIFIED: 一般公差		APVD 17OCT92	PRODUCT SPEC 製品規格 108-5246	
0-PLC ± 1-PLC ± 2-PLC ± 3-PLC ± 4-PLC ±		APPLICATION SPEC 取付適用規格		
ANGLES ±		WEIGHT		
MATERIAL AS SHOWN 図中参照		FINISH 仕上 AS SHOWN 図中参照		
SIZE		CAGE CODE	DRAWING NO	RESTRICTED TO
A3		00779	C-174820	-
CUSTOMER DRAWING		SCALE 尺度 10:1	SHEET 1 OF 1	REV L1