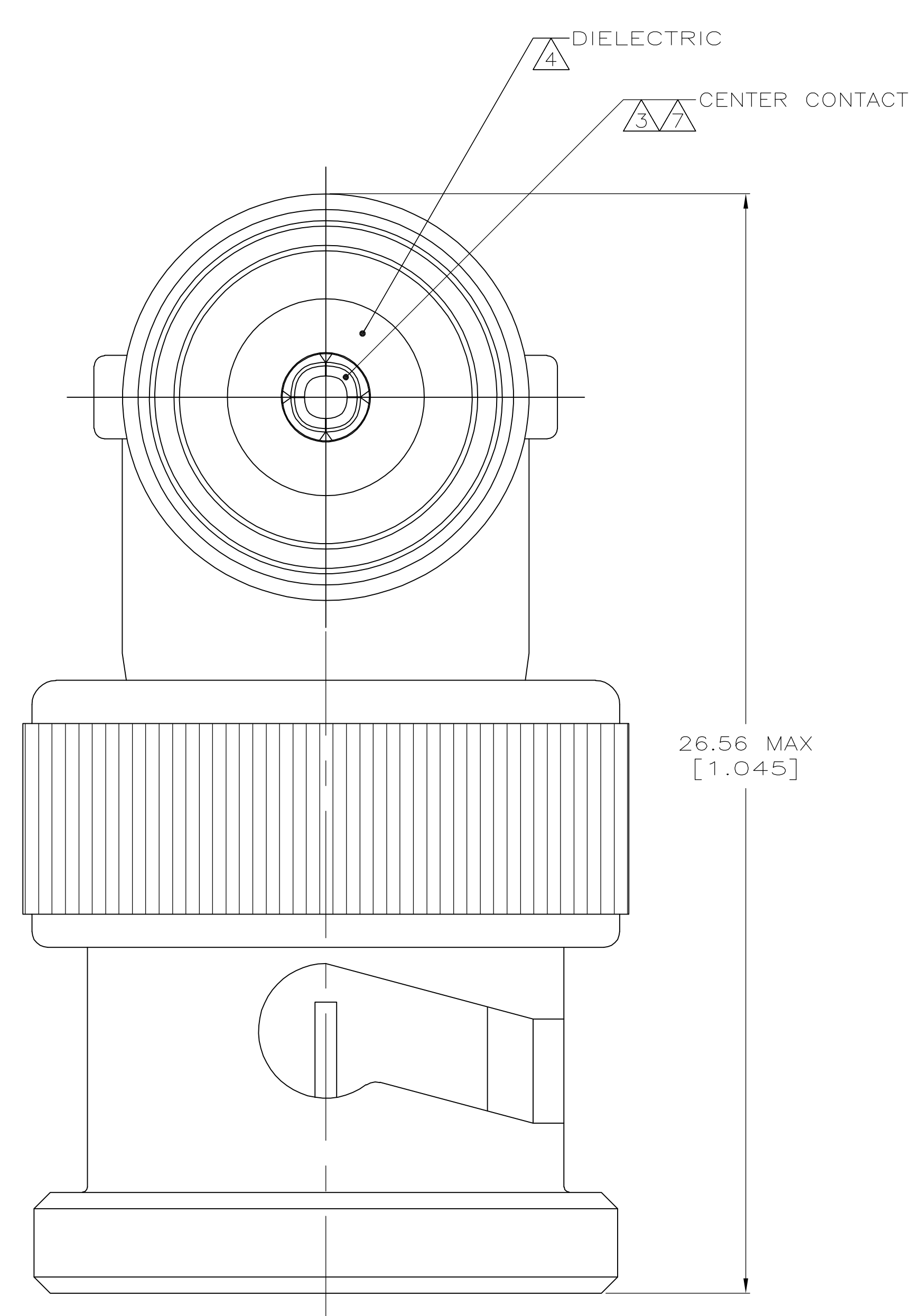
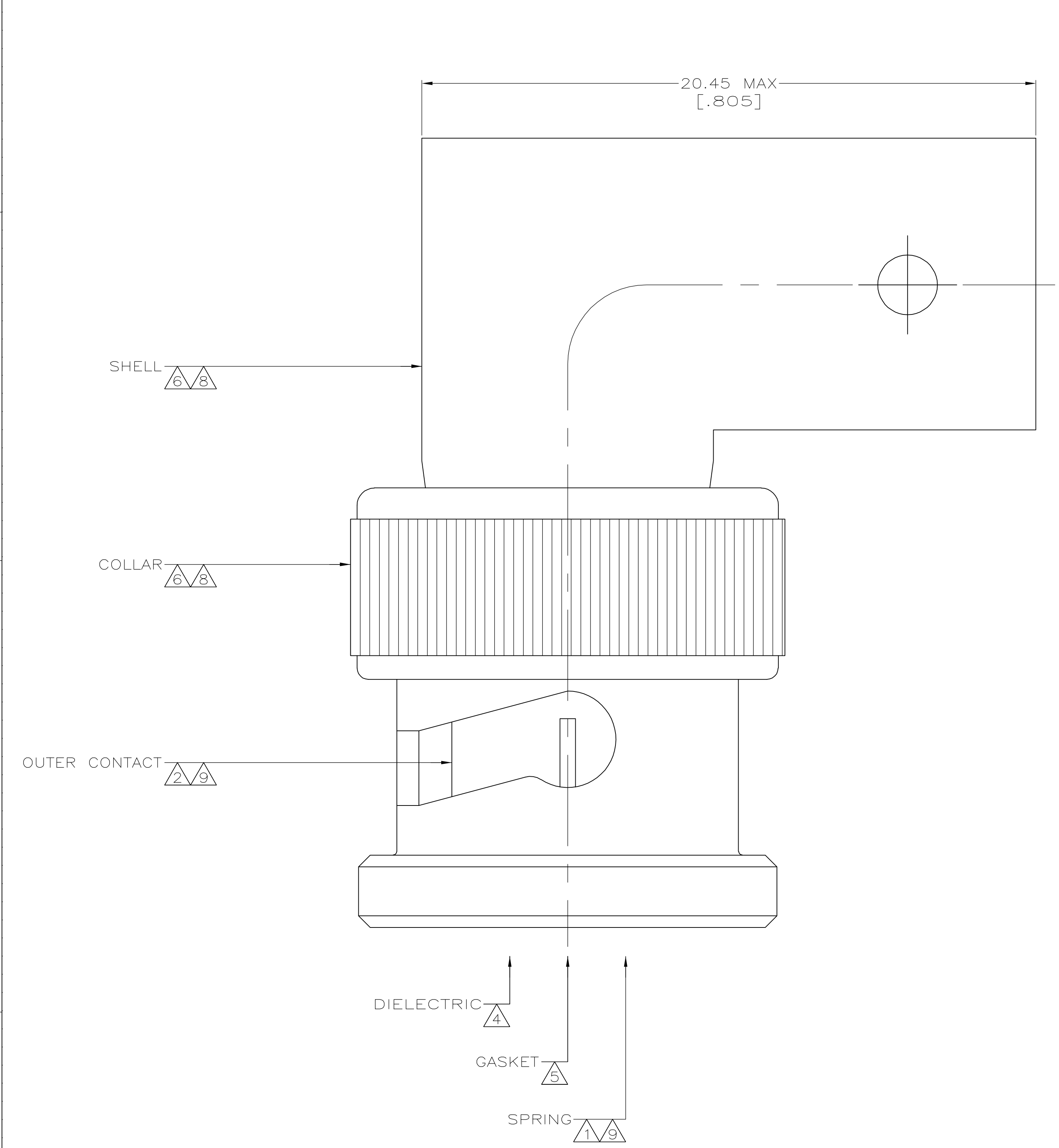


LOC	DIST	REVISIONS			
P	LTR	DESCRIPTION	DATE	DWN	APVD
AJ	16	A	REVISED PER EC 0514-0150-05	05OCT2005	REH JL

- △ CARBON STEEL
- △ BRASS PER ASTM-B-16
- △ PHOSPHOR BRONZE PER ASTM-B-139
- △ POLYMETHYLPENTENE: GENERAL PURPOSE
- △ SILICONE RUBBER PER ZZ-R-765
- △ ZINC DIE CAST PER ASTM-B-86
- △ GOLD PLATE PER ASTM-B-488, 0.38μm [.000015] MIN THICKNESS
- △ NICKEL PLATE PER QQ-N-290, 1.27μm [.000050] MIN THICKNESS
- △ NICKEL PLATE PER QQ-N-290, 2.54μm [.000100] MIN THICKNESS



5414666-1
 PART NUMBER

THIS DRAWING IS A CONTROLLED DOCUMENT.		DWN L. VARELA - 18APR2005	Tyco Electronics Corporation Harrisburg, PA 17105-3608	
DIMENSIONS: mm [INCHES]		CHK J. HAVENER - 18APR2005	NAME J. LIPPERT - 18APR2005	
TOLERANCES UNLESS OTHERWISE SPECIFIED:		PRODUCT SPEC APPLICATION SPEC		
0 PLC ± -		SIZE A1		
1 PLC ± -		CAGE CODE 00779		
2 PLC ± -		DRAWING NO 5414666		
3 PLC ± -		RESTRICTED TO -		
4 PLC ± -		WEIGHT -		
ANGLES ± -		CUSTOMER DRAWING		
FINISH SEE NOTES		SCALE 10:1 SHEET 1 OF 1 REV A		