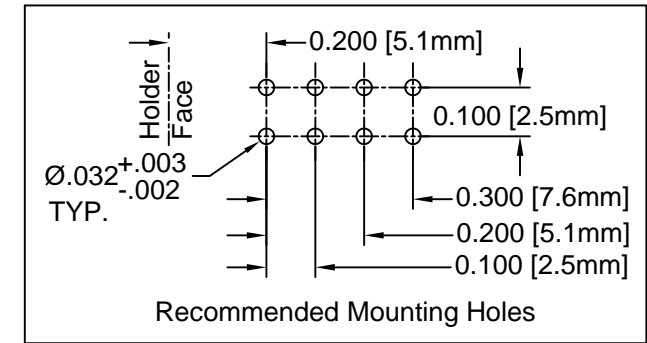
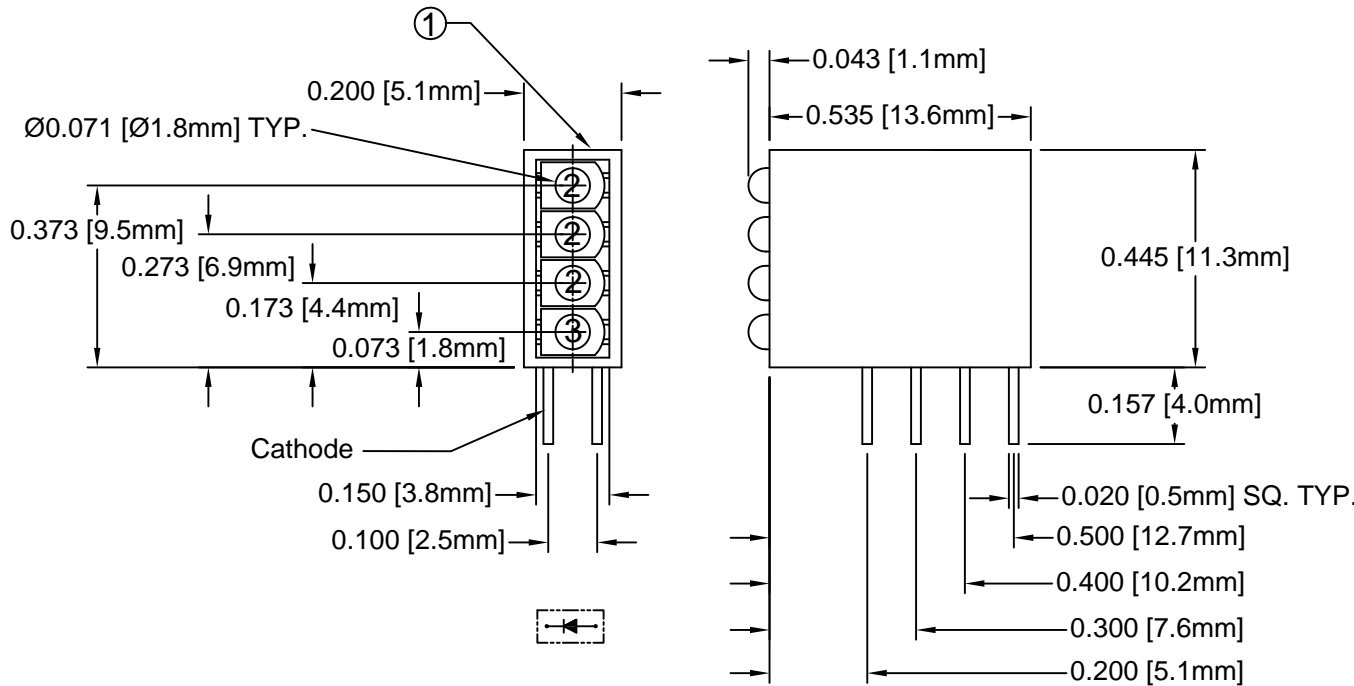


ITEM	QTY	PART NUMBER	PART DESCRIPTION
1	1	H-485C	Quad-Level Sub-Miniature (1.8mm) LED 90° Holder
2	3	1.8RD	Small Footprint, Radial Lead Orientation (1.8mm)
3	1	1.8GD	Small Footprint, Radial Lead Orientation (1.8mm)

REV.	DESCRIPTION	DATE	APPROVED
A	Engineering Release	06/01/06	M. C.
B	Engineering Update w/o Changes	08/05/16	J. C.



LED Part No.	Chip			Lens Appearance	Absolute Max. Ratings				Electro-Optical Data @ 20mA			Viewing Angle (Deg)
	Material	Peak Wave Length λ_p (nm)	Emitted Color		$\Delta\lambda$ (nm)	Pd (mW)	If (mA)	Peak If (mA)	Vf (V)		Iv (mcd)	
									TYP	MAX	TYP	
1.8RD	GaAsP/GaP	655	RED	DIFFUSED	100	40	15	150	2.3	2.6	1.0	70
1.8GD	GaP/GaP	565	GREEN	DIFFUSED	30	80	30	150	2.2	2.6	5.0	70

ABSOLUTE MAXIMUM RATINGS ($T_a = 25^\circ\text{C}$)

REVERSE VOLTAGE _____ 5V
 REVERSE CURRENT ($V_R=5V$) _____ $100\mu\text{A}$
 OPERATING TEMPERATURE RANGE _____ $-25^\circ\text{C} \sim 85^\circ\text{C}$
 STORAGE TEMPERATURE _____ $-30^\circ\text{C} \sim 100^\circ\text{C}$
 LEAD SOLDERING TEMPERATURE (1/16" FROM BODY) _____ 260°C for 5 Seconds

STANDARD TOLERANCE (UNLESS OTHERWISE SPECIFIED)		BIVAR®	
DECIMALS	ANGULAR	4 THOMAS, IRVINE, CA. 92618	
.X $\pm .1$	$X^\circ \pm 1^\circ$	TEL: (949) 951-8808 FAX: (949) 951-3974	
.XX $\pm .02$		TITLE: Sub-Miniature (1.8mm) RP	
.XXX $\pm .010$		90° Quad-Level LED Assembly	
DESIGNED: S. Dam	DATE: 01/26/07	PART NO: H485CRRRGD-RP	REVISION: B
CHECKED: D. Beckman	DATE: 01/26/07	CAGE CODE : 32559	SHEET # 1 OF 1
CAD GENERATED DOCUMENT. DO NOT MEASURE DRAWING.			