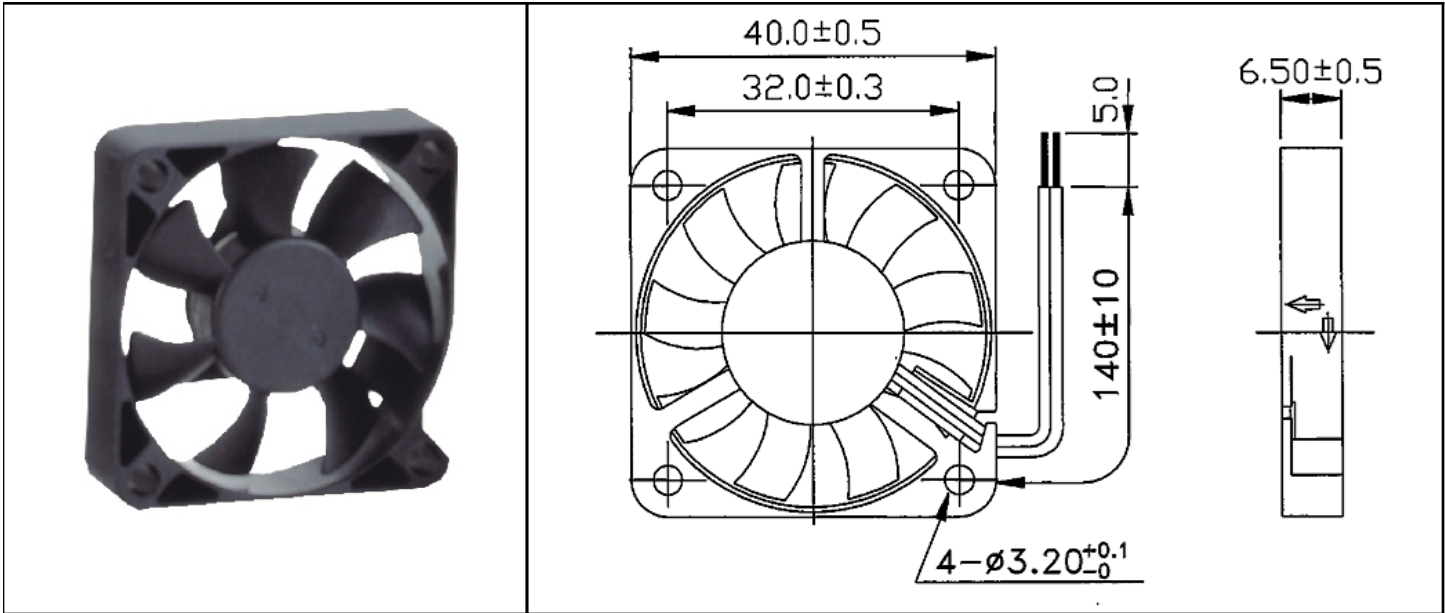


OD4006-12HSS



DC Fan - 12V, High Speed
40x06mm (1.57"x 0.24")



Frame & Impeller	PBT, UL94V-O plastic	Available Options: Tachometer (Frequency Generator) White Lead Alarm (Rotation Detector) Yellow Lead Life Expectancy (L10) Sealed Sleeve - 50,000 hrs (45C) Operating Temperature Ball: -10 ~ 70C	
Connection	2x Lead wires (~140mm) 28AWG		
Motor	Brushless DC, auto restart, polarity protected		
Bearing System	Sealed Sleeve bearing		
Insulation Resistance	10M ohm between leadwire and frame (500VDC)		
Dielectric Strength	1 second at 500 VAC, max leakage - 500 MicroAmp		

Part Number	OD4006-12HSS
Nominal Voltage	12 VDC
Nominal Current	0.06 A
Rated Power	0.7 W
Rated Speed (RPM)	6600
Airflow (CFM)	6
Noise Level (dB)	30
Max. Static Pressure	0.09" H ₂ O