

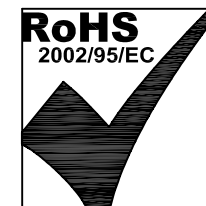
NOTES

1.0 PINS WITHOUT ELECTRICAL CONNECTION ARE OMITTED.

2.0 ALL RESISTORS ARE ±5% TOLERANCE.

ELECTRICAL SPECIFICATIONS:

- | | | |
|------|--|--|
| 1.0 | Turns Ratio: (P8-P6-P7) : (J6-J3) | : 1CT : 1 ±2% |
| | (P2-P3-P1) : (J2-J1) | : 1CT : 1 ±2% |
| 2.0 | Inductance: (P7-P8) | : 350uH MIN. @ 0.1V, 100KHz, 8mA DC Bias |
| | (P1-P2) | : 350uH MIN. @ 0.1V, 100KHz, 8mA DC Bias |
| 3.0 | Leakage Inductance: P8-P7 (WITH J6 AND J3 SHORT) | : 0.3 MAX. @ 1MHz |
| | P2-P1 (WITH J2 AND J1 SHORT) | : 0.3 MAX. @ 1MHz |
| 4.0 | Interwinding Capacitance: (P8,P6,P7) TO (J6,J3) | : 30pf MAX @ 1MHz |
| | (P3,P2,P1) TO (J2,J1) | : 30pf MAX @ 1MHz |
| 5.0 | DC Resistance: (J1-J2) | : 1.2 ohms Max. |
| | (J3-J6) | : 1.2 ohms Max. |
| 6.0 | Return Loss: (P1-P2)=100 OHMS AND (P7-P8)=100 OHMS REFERENCE | |
| | 1MHz TO 30MHz | : -18dB MIN. |
| | 30MHz TO 60MHz | : -(19-20 LOG (f/30MHz)) |
| | 60MHz TO 80MHz | : -12dB MIN. |
| | NOTE; 100 OHMS CONNECTED TO (J2-J1) OR (J3-J6) | |
| 7.0 | Dielectric Withstand: (J1, J2) TO (P1, P2) | : 1500 VAC |
| | (J3, J6) TO (P8, P7) | : 1500 VAC |
| 8.0 | Insertion Loss: 1MHz TO 65MHz | : -1.0 dB MAX |
| | 65MHz TO 100MHz | : -1.1 dB MAX |
| 9.0 | Rise Time: OUTPUT VOLTAGE = 1 V peak | : 3.0 nS MAX |
| | PULSE WIDTH= 112nS | : 3.0 nS MAX |
| 10.0 | Cross Talk: 1-100 MHz | : -35 dB TYP |
| 11.0 | Common to Common Mode Attenuation: 1MHz TO 100MHz | : -45dB TYP |
| | 100MHz TO 200MHz | : -20dB MIN |



Bel Stewart Connector
 11118 Susquehanna Trail, South
 Glen Rock, Pa 17327-9199
 717.234.7512

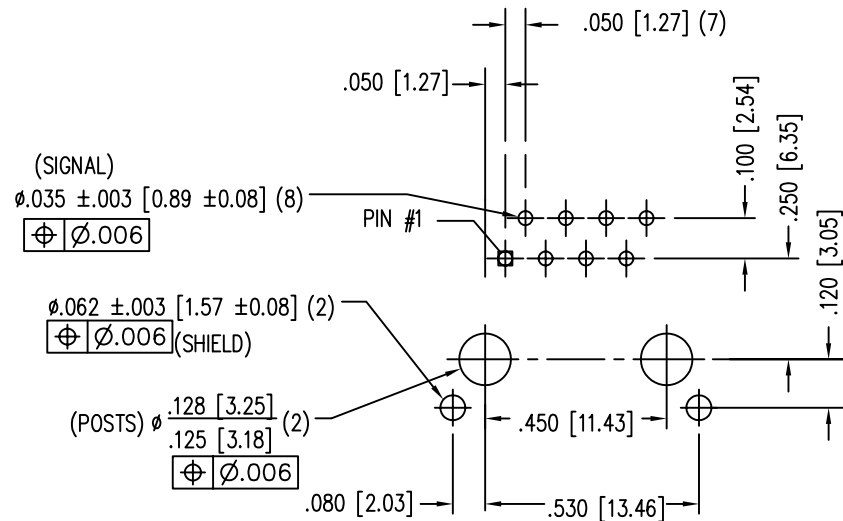
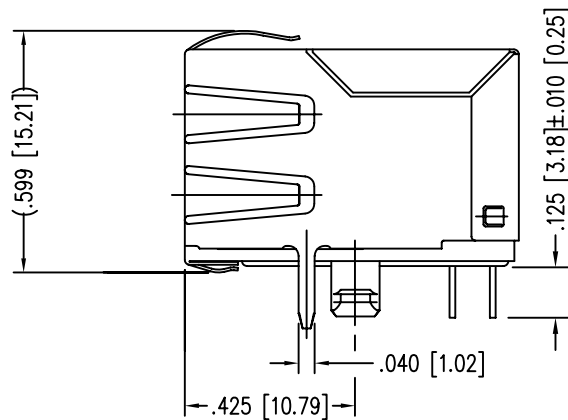
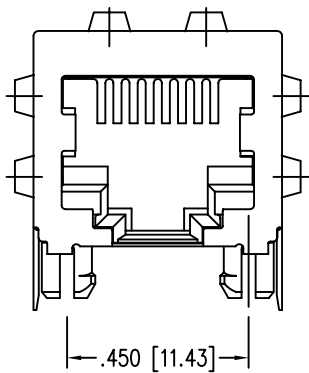
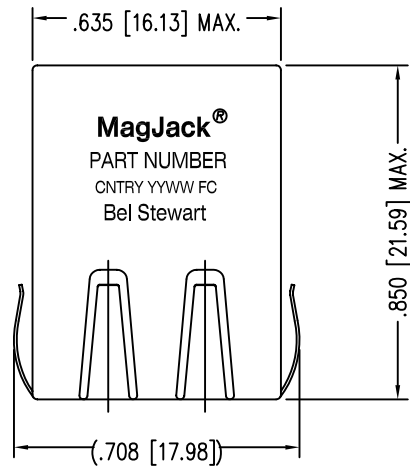
MagJack[®]
<http://www.stewartconnector.com>

THIS DRAWING AND THE SUBJECT MATTER SHOWN THEREON ARE CONFIDENTIAL AND PROPERTY OF BEL STEWART CONNECTOR AND SHALL NOT BE REPRODUCED, COPIED, OR USED IN ANY MANNER WITHOUT PRIOR WRITTEN CONSENT OF BEL STEWART CONNECTOR. THE SUBJECT MATTER MAY BE PATENTED OR A PATENT MAY BE PENDING.

SHEET 1 OF 3

DRAWING NO. SI-60203-F

REV. 02

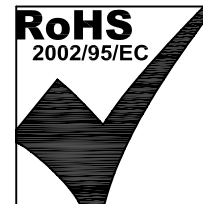


P.C.B. RECOMMENDED HOLE LAYOUT
SEEN FROM COMPONENT SIDE

ALL CENTERLINE DIMENSIONS ARE BASIC.

NOTES:

- CONNECTOR MATERIALS:
HOUSING: THERMOPLASTIC UL94 V-0
CONTACT/SHIELD: COPPER ALLOY
SHIELD PLATING: NICKEL OR TIN
CONTACT PLATING: SELECTIVE GOLD,
50 MICRO-INCHES MIN. IN CONTACT AREA.
- PIN NOT ELECTRICALLY CONNECTED MAYBE OMITTED.
SEE ELECTRICAL DRAWING FOR OMITTED PINS.
- TOLERANCES COMPLY WITH F.C.C. DIMENSION REQUIREMENTS.
- ALL TOLERANCES NOT OTHERWISE SPECIFIED TO BE $\pm 0.005 [0.13]$
- WAVE SOLDER COMPATIBLE - PREHEAT 125°C/90SECS.
HIGH TEMPERATURE REFLOW COMPATIBLE - 230°C/90 SEC MAX.



Bel Stewart Connector
11118 Susquehanna Trail, South
Glen Rock, Pa 17327-9199
717.234.7512

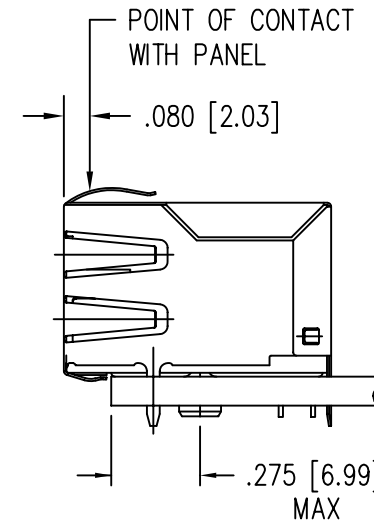
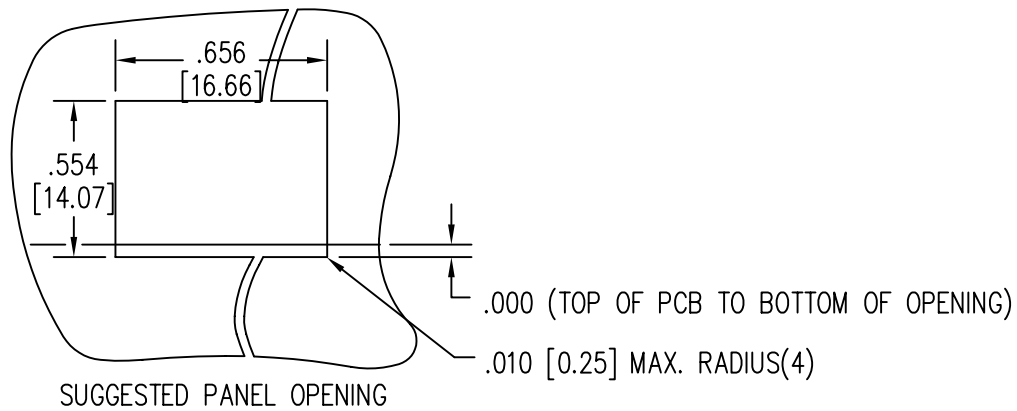
MagJack®
<http://www.stewartconnector.com>

THIS DRAWING AND THE SUBJECT MATTER SHOWN THEREON ARE CONFIDENTIAL AND PROPERTY OF BEL STEWART CONNECTOR AND SHALL NOT BE REPRODUCED, COPIED, OR USED IN ANY MANNER WITHOUT PRIOR WRITTEN CONTENT OF BEL STEWART CONNECTOR. THE SUBJECT MATTER MAY BE PATENTED OR A PATENT MAY BE PENDING.

SHEET
2 OF 3

DRAWING NO.

SI-60203-F REV. 06



1. THE SUGGESTED PANEL OPENING IS INTENDED TO GIVE THE USER THE ABILITY TO HAVE REASONABLE JACK / PANEL CLEARANCES YET MAINTAIN RELIABLE GROUNDING CAPABILITY.
2. ALL TOLERANCES NOT OTHERWISE SPECIFIED TO BE ± 0.005 [0.13]

Bel Stewart Connector
 11118 Susquehanna Trail, South
 Glen Rock, Pa 17327-9199
 717.234.7512

MagJack[®]
<http://www.stewartconnector.com>

THIS DRAWING AND THE SUBJECT MATTER SHOWN THEREON ARE CONFIDENTIAL AND PROPERTY OF BEL STEWART CONNECTOR AND SHALL NOT BE REPRODUCED, COPIED, OR USED IN ANY MANNER WITHOUT PRIOR WRITTEN CONTENT OF BEL STEWART CONNECTOR. THE SUBJECT MATTER MAY BE PATENTED OR A PATENT MAY BE PENDING.

SHEET 3 OF 3

DRAWING NO. SI-60203-F

REV. 05