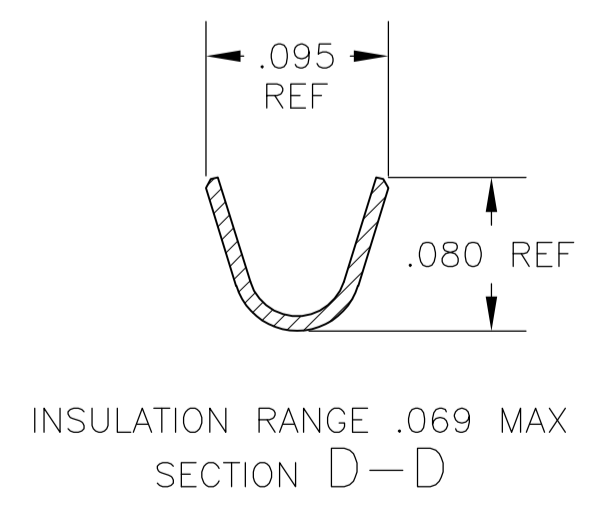
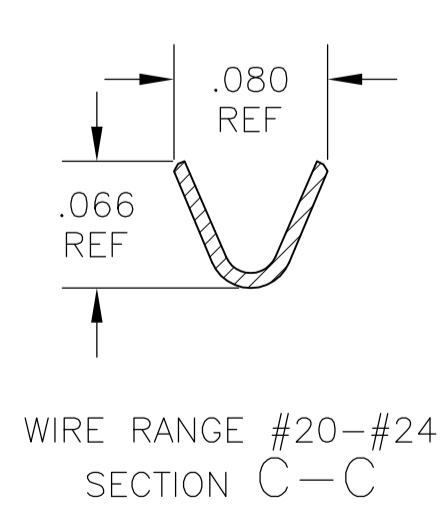
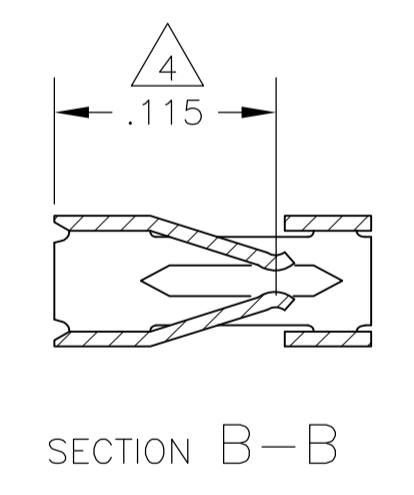
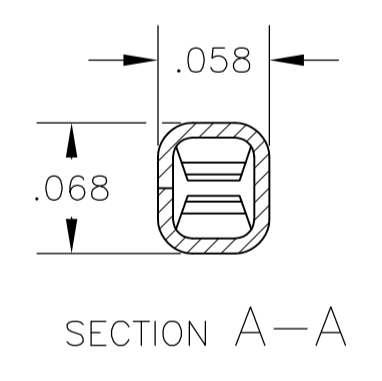
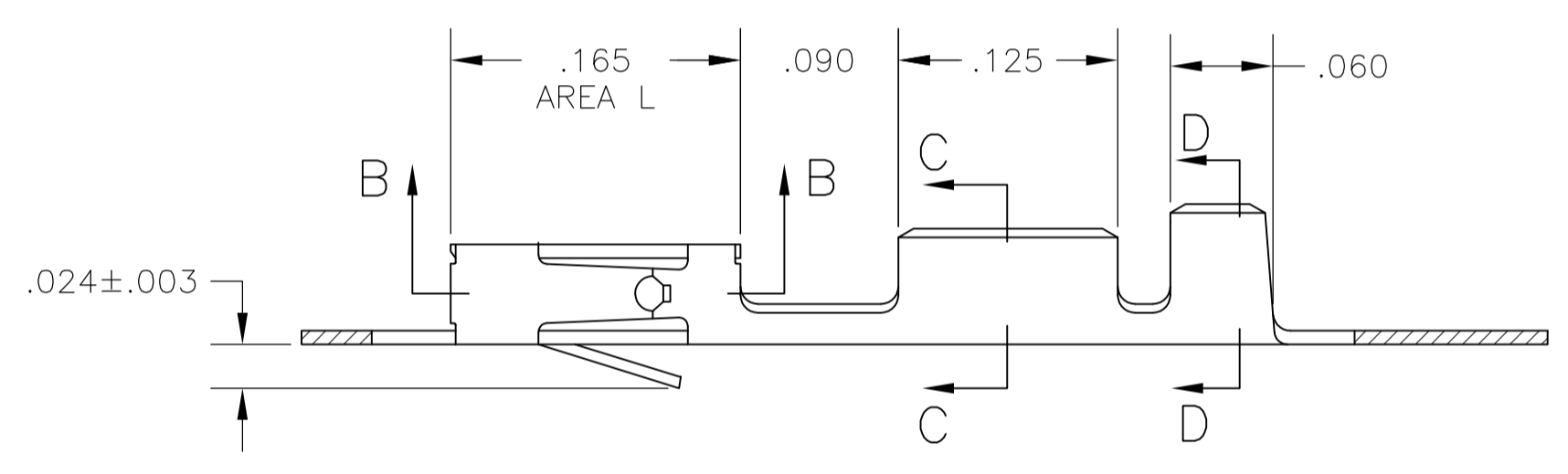
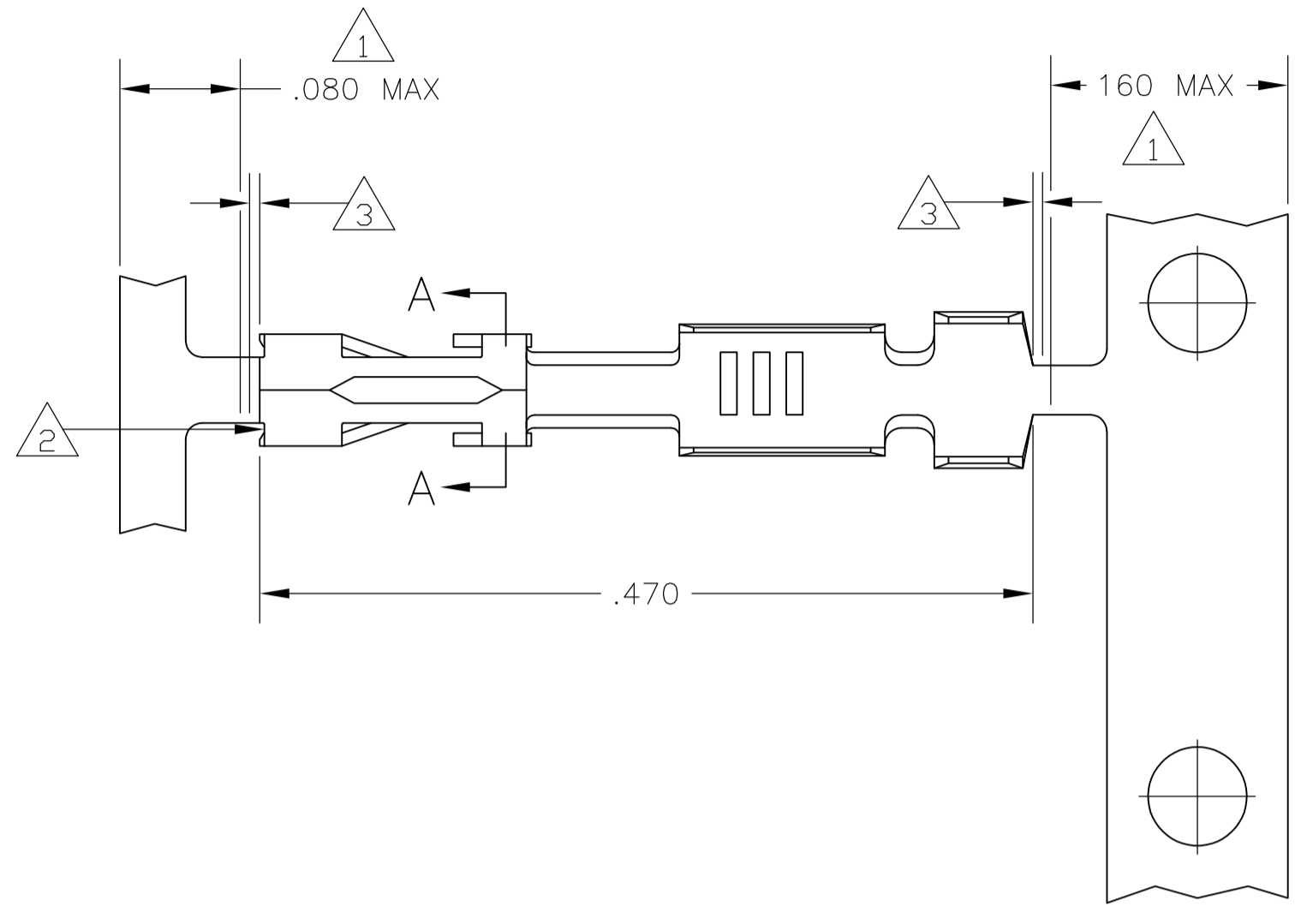


- 1 PLATING IS NOT REQUIRED IN THIS AREA
- 2 CUT-OUTS ON BOX AT MANUFACTURER'S OPTION
- 3 .006 MAX LOOSE PIECE CUT-OFF
- 4 POINT OF MEASUREMENT FOR PLATING THICKNESS (INSIDE BEAMS)
- 5 .000015 GOLD IN CONTACT AREA, GOLD FLASH ON REMAINDER OF TERMINAL, ALL OVER .000050 NICKEL
- 6 .000030 GOLD OVER .000050 NICKEL
- 7 .000030 GOLD IN CONTACT AREA, GOLD FLASH ON REMAINDER OF TERMINAL, ALL OVER .000050 NICKEL
- 8 PREPLATED: .000078-.000158 BRIGHT TIN.
- 9 .000030 GOLD IN CONTACT AREA, GOLD FLASH IN AREA L, ALL OVER .000050 NICKEL
- 10 .000050 GOLD IN CONTACT AREA, GOLD FLASH ON REMAINDER OF TERMINAL, ALL OVER .000050 NICKEL
- 11 SHEARED EDGES PERMITTED TO BE UNPLATED
- 12 OBSOLETE PART NUMBER.
- 13 OBSOLETE PARTS: OBSOLETE CIS STREAMLINING PER D.RENAUD/D.SINISI



13 OBSOLETE	12 -6	1 -	12 -7	10 -	1 - 86492 -8
	12 -5	1 -	12 -4	9 -	1 - -3
	87046 -4		12 -8	8 -	-9
			12 -5	7 -	-6
		12 -3	6 -	-4	
		12 -1	5 -	86492 -2	
		12 -1	4 -	MINI APPLICATOR PART NUMBER	
		12 -1	3 -	STANDARD APPLICATOR PART NUMBER	
		12 -1	2 -	LOOSE PIECE PART NUMBER	
		12 -1	1 -	87046 -1	

THIS DRAWING IS A CONTROLLED DOCUMENT.		DIN 20MAY85		TE Connectivity	
DIMENSIONS: INCHES		TOLERANCES UNLESS OTHERWISE SPECIFIED:			
0 PLC ± - 1 PLC ± - 2 PLC ± - 3 PLC ± .005 4 PLC ± - ANGLES ± -		DWN L. A. MAYER CHK R. J. DAVIS APVD C. LINDGREN		NAME CONTACT, MOD IV 1/2, RECEPTACLE, CRIMP SNAP-IN	
MATERIAL BERYLIUM COPPER .008 THICK		FINISH -		SIZE A1 CAGE CODE 00779 DRAWING NO. 86492	
CUSTOMER DRAWING		SCALE 10:1		SHEET 1 OF 1 REV K2	