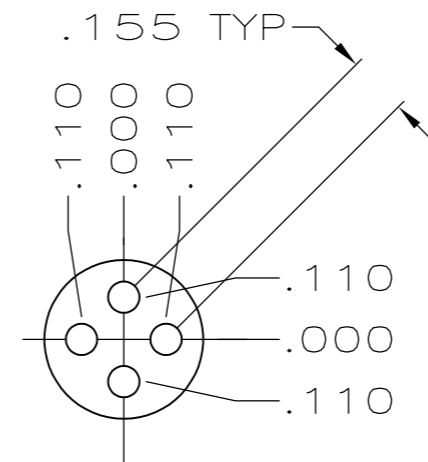
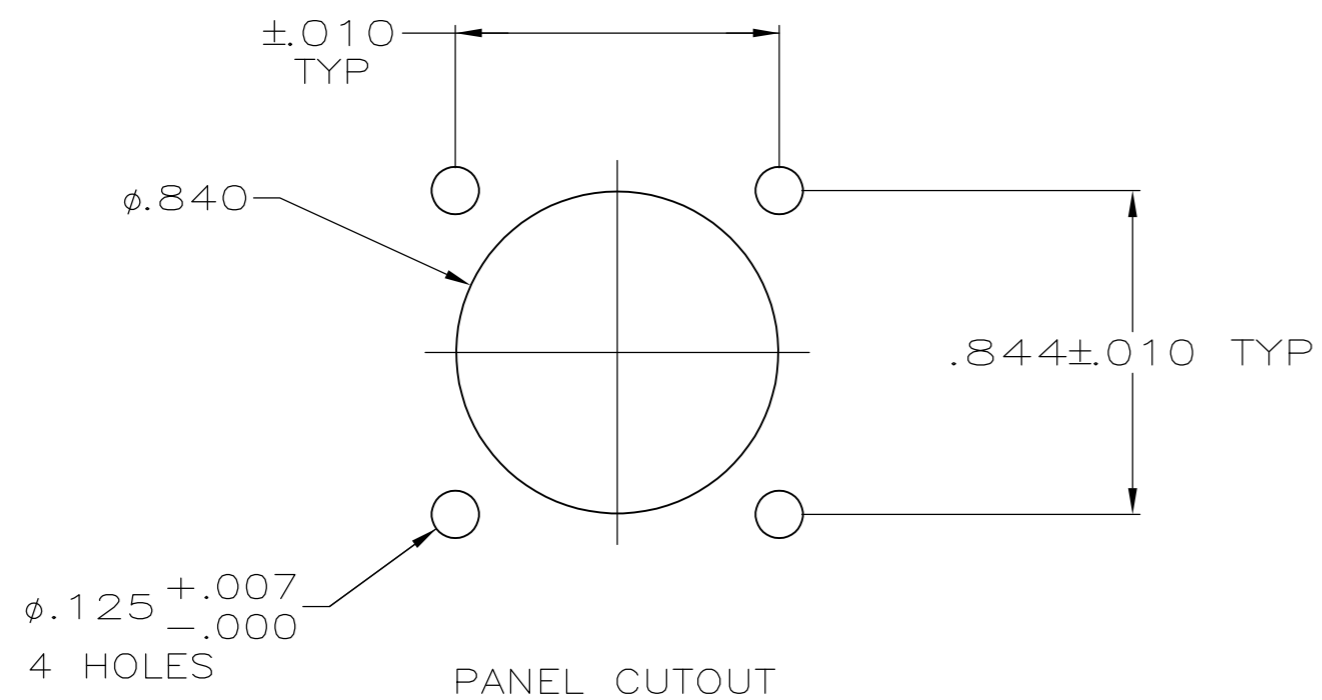
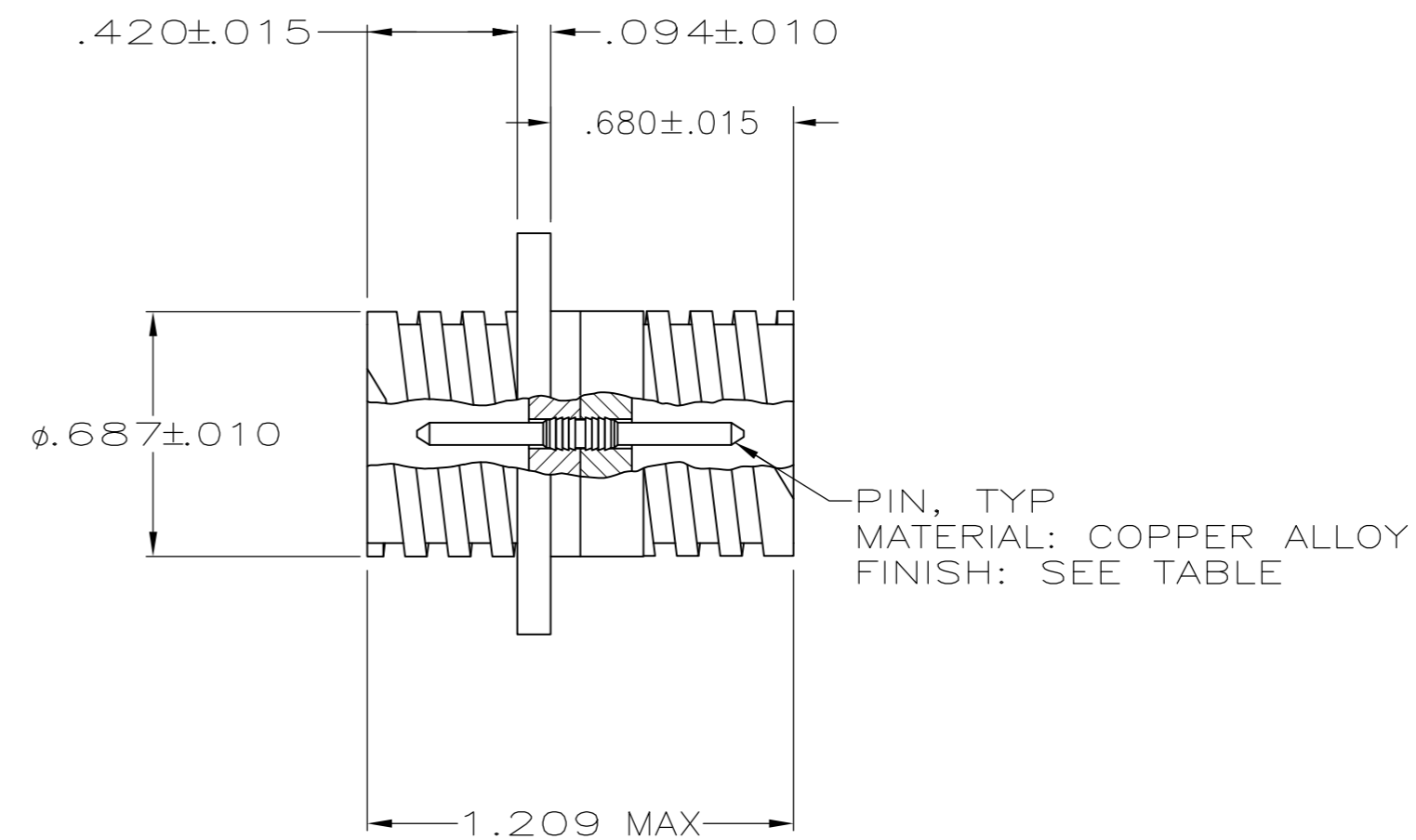
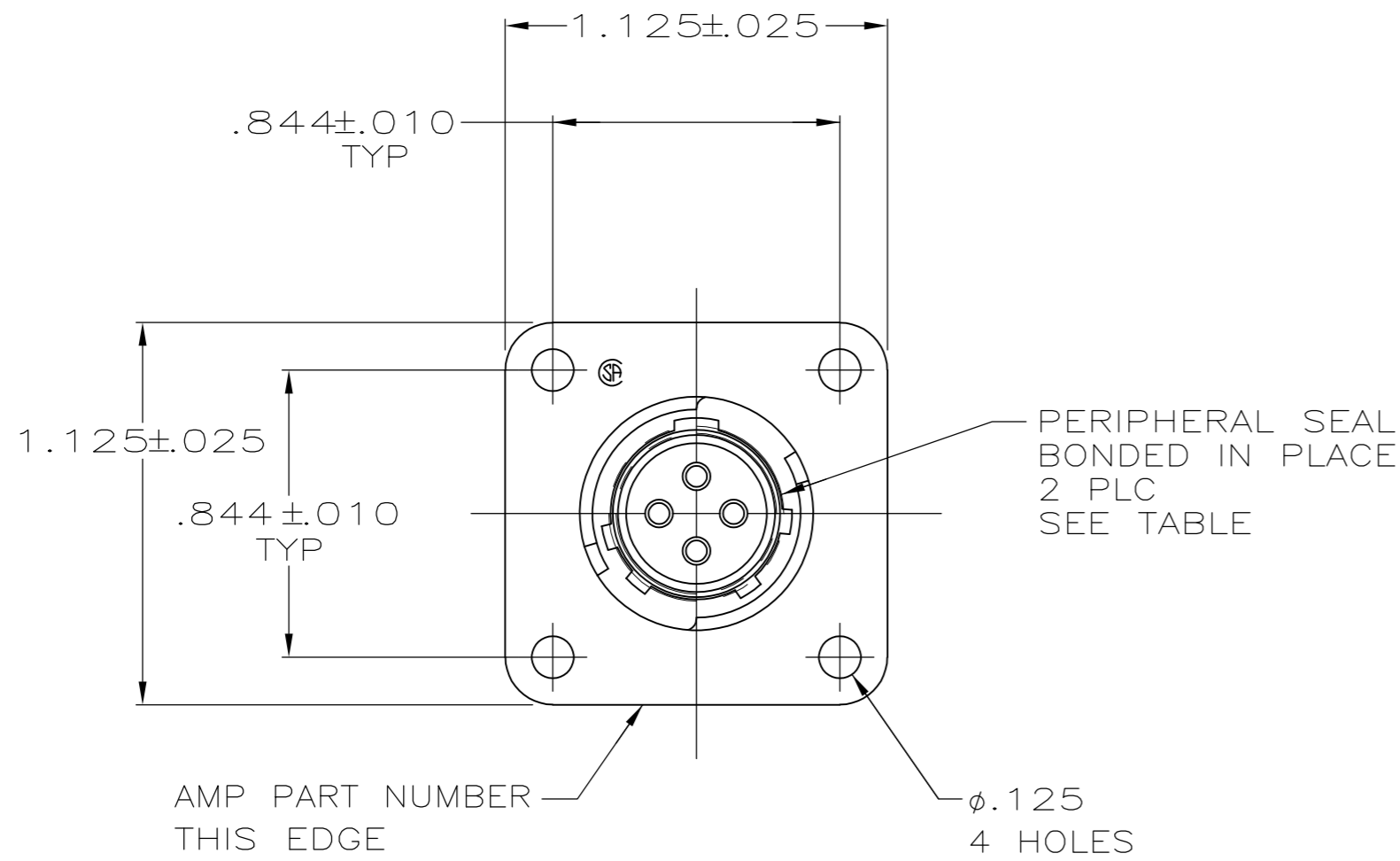


THIS DRAWING IS UNPUBLISHED. RELEASED FOR PUBLICATION
 © COPYRIGHT BY TYCO ELECTRONICS CORPORATION. ALL RIGHTS RESERVED.

LOC		DIST		REVISIONS			
P	LTR	DESCRIPTION	DATE	DWN	APVD		
F		REVISED PER 0G3B-0436-02	8/12/02	SS	SH		
F1		REVISED PER ECO-09-020935	10SEP09	KK	AEG		



NOTES:

- ① GOLD PER MIL-G-45204 OVER NICKEL PER QQ-N-290.
- ② TIN PER MIL-T-10727.
- ③ ACCOMODATES 4 SIZE 16 PIN CONTACTS, PERMANENTLY INSTALLED.
- ④ OBSOLETE PARTS: OBSOLETE CIS STREAMLINING PER D.RENAUD/D.SINISI

④ OBSOLETE	YES(2)	①	206518-5
	NO	①	206518-2
OBSOLETE	NO	②	206518-1
	PERIPHERAL SEAL	CONTACT FINISH	PART NUMBER

THIS DRAWING IS A CONTROLLED DOCUMENT.		DWN	J GALLUCCI BG	5-22-91	Tyco Electronics Corporation Harrisburg, PA 17105
DIMENSIONS: INCHES		CHK	W.G.LENKER	4-13-92	
TOLERANCES UNLESS OTHERWISE SPECIFIED:		APVD	-	-	NAME
0 PLC ± - 1 PLC ± - 2 PLC ± - 3 PLC ± .005 4 PLC ± - ANGLES ± - FINISH SEE TABLE		PRODUCT SPEC		RECEPTACLE ASSEMBLY, FEED THRU, SERIES 1, 11-4, CPC	
MATERIAL RCPT: THERMOPLASTIC COLOR: BLACK		APPLICATION SPEC		108-10024	
		WEIGHT	-	SIZE	A2
		CUSTOMER DRAWING		CAGE CODE	00779
		SCALE		DRAWING NO	C=206518
		SHEET		RESTRICTED TO	-
		REV		F1	