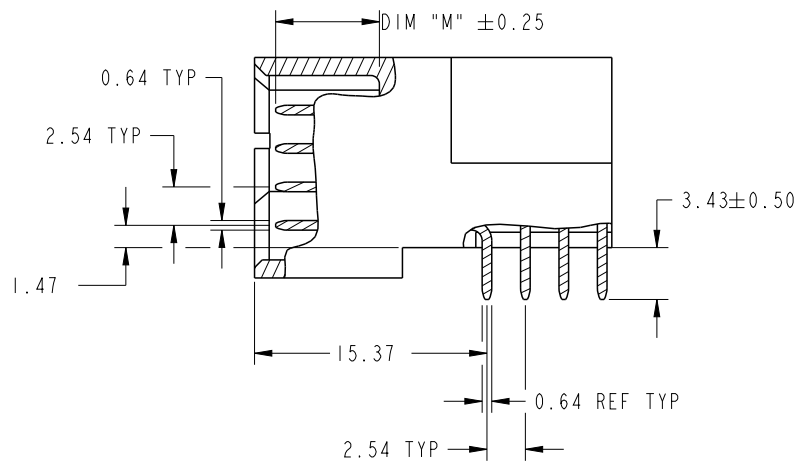
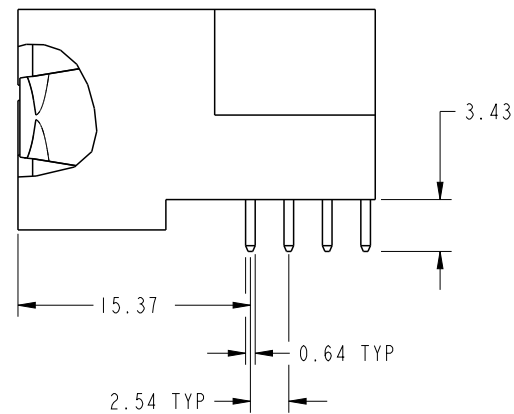


PRODUCT NUMBER

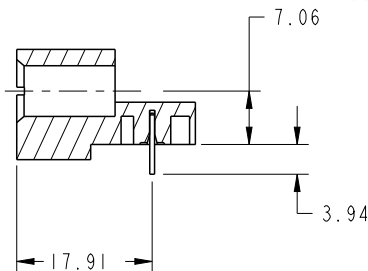
51939-812--
NOTE: 3



BROKEN-OUT SECTION A-A
SCALE 2:1



BROKEN-OUT SECTION B-B
SCALE 2:1

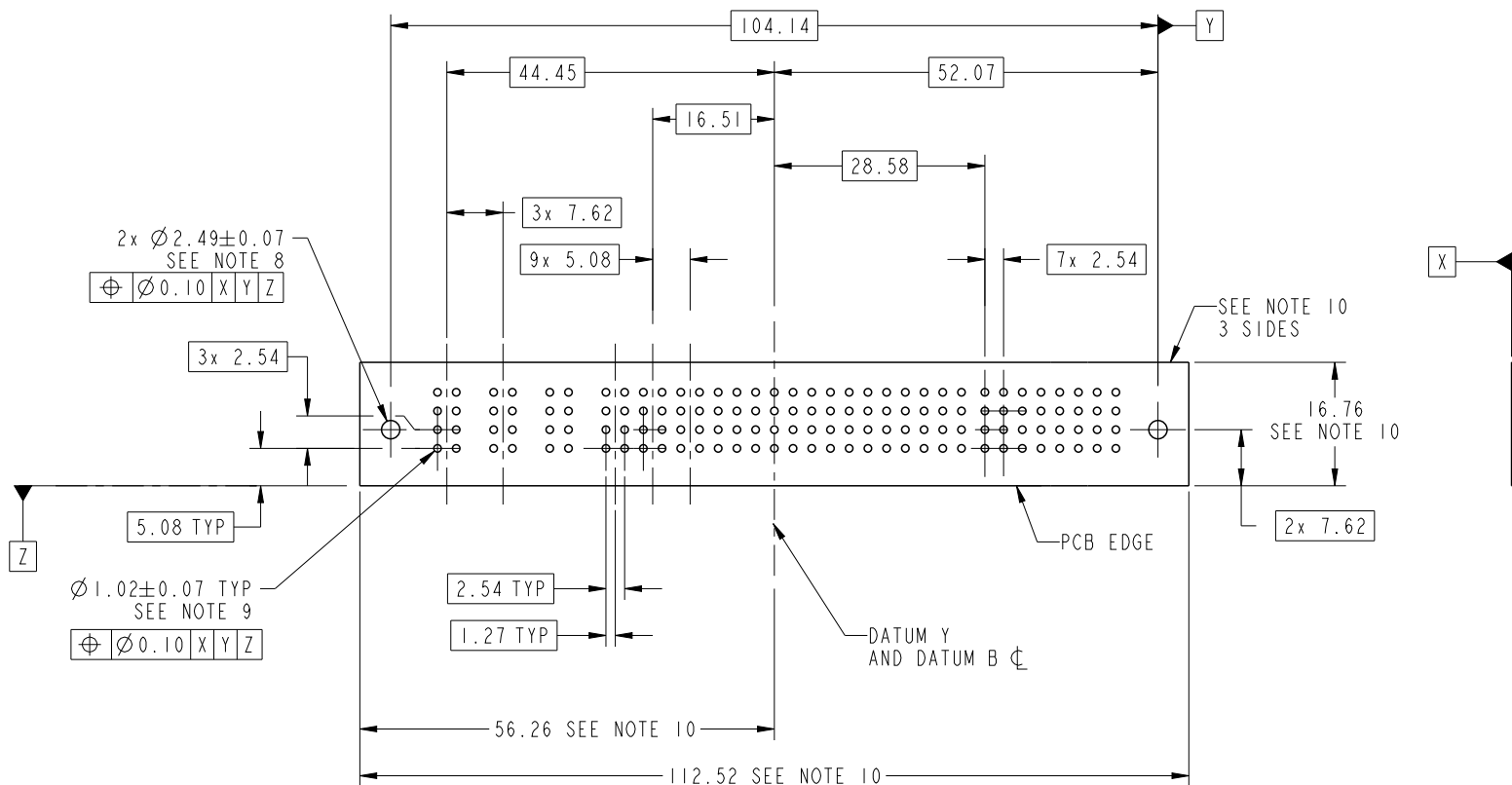


SECTION C-C

dr	Ruan MT	2013/09/26	projection 	MM 	size	A4	scale	1:1
eng	Ruan MT	2013/10/10			ecn no	-		
chr	-	-			rel level	Released		
appr	Pei-Ming Zheng	2013/10/10	product family	PwrBlade				
		title 4ACP + 9DCP + 32S RIGHT ANGLE SOLDER HEADER	dwg no 51939-812	rev A				
www.fci.com	cat. no.	-	Product - Customer Drw	sheet 2 of 4				

PRODUCT NUMBER

51939-812__
NOTE: 3



Copyright FCI.

dr	Ruan MT	2013/09/26	projection 	MM 	size	A4	scale	1:1	
eng	Ruan MT	2013/10/10			ecn no	-			
chr	-	-			rel level	Released			
appr	Pei-Ming Zheng	2013/10/10	product family	PwrBlade					
		title	4ACP + 9DCP + 32S RIGHT ANGLE SOLDER HEADER		dwg no	51939-812		rev	A
www.fci.com		cat. no.	-		Product - Customer Drw			sheet 3 of 4	

PRODUCT NUMBER
51939-812--
NOTE: 3

NOTES:

1. DIMENSIONS AND TOLERANCES ARE IN ACCORDANCE WITH ASME Y14.5M, 1994 UNLESS OTHERWISE SPECIFIED.

CONNECTOR NOTES:

- 2. HOUSING MATERIAL: UL 94 V-0 GLASS FILLED HIGH-TEMP THERMOPLASTIC
POWER CONTACT MATERIAL: COPPER ALLOY
SIGNAL PIN MATERIAL: COPPER ALLOY
- 3. SEE ITEM 1 & 2 IN PRINT 10064183 FOR PLATING SPEC OF 51939-812 AND 51939-812LF RESPECTIVELY.
- 4. MANUFACTURER'S NAME, DATE CODE AND OPTIONAL P/N TO APPEAR ON THIS SURFACE. THE MARK CAN BE OMITTED IF THERE IS NOT ENOUGH SPACE ON THIS SURFACE.
- 5. PRODUCT SPECIFICATION GS-12-149.
APPLICATION SPECIFICATION BUS-20-067.
- 6. PACKAGED IN TRAYS.

PCB NOTES:

- 7. ALL HOLE DIAMETERS ARE FINISHED HOLE SIZE.
- 8. MOUNTING HOLES, WHERE APPLICABLE, ARE UNPLATED.
- 9. $\varnothing 1.151 \pm 0.025$ DRILLED HOLES PLATED WITH 0.008 MIN SnPb OR Sn OVER 0.03 TO 0.08 Cu PLATING TO ACHIEVE $\varnothing 1.02 \pm 0.07$ HOLE.
- 10. CONNECTOR KEEP-OUT ZONE.



Copyright FCI.

dr	Ruan MT	2013/09/26	projection 	MM 	size	A4	scale	1:1	
eng	Ruan MT	2013/10/10			ecn no	-			
chr	-	-							
appr	Pei-Ming Zheng	2013/10/10	product family	PwrBlade	rel level	Released			
	title	4ACP + 9DCP + 32S RIGHT ANGLE SOLDER HEADER			dwg no	51939-812		rev	A
www.fci.com	cat. no.	-	Product - Customer Drw			sheet 4 of 4			