

UA5M15MP Eval Board

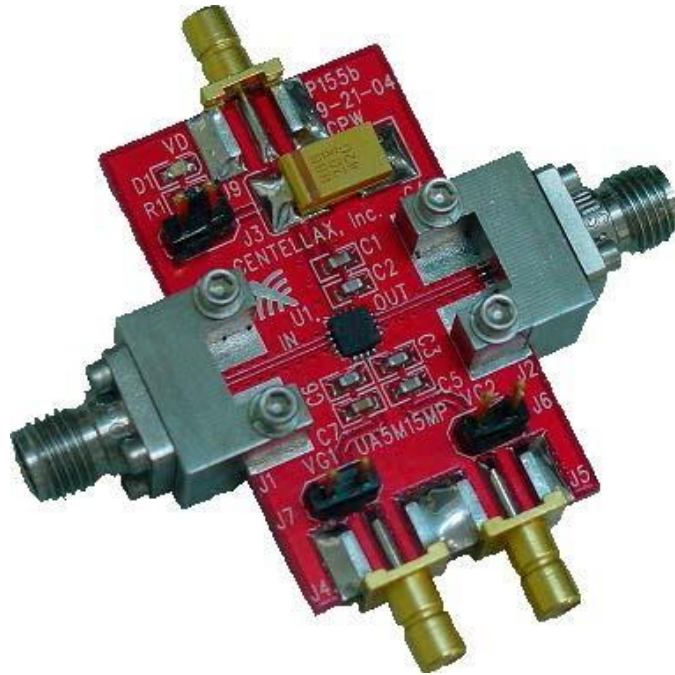


Figure 1. UA5M15MP

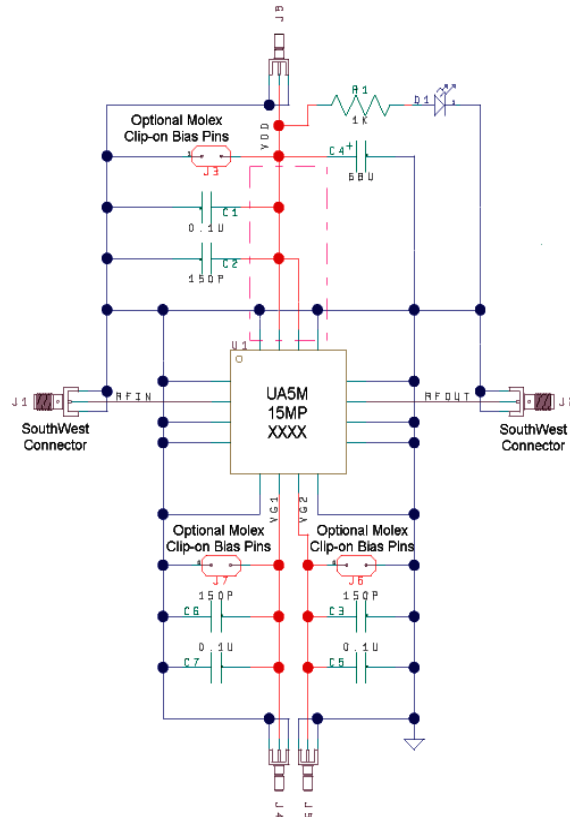


Figure 2. UA5M15MPE Evaluation Board

Evaluation Board Application Notes

1. Connect RFIN and RFOUT to 50W measurement system (connectors are SouthWest 2.92mm K-connectors, compatible with SMA)
2. Apply +3.3V or +5.0V drain bias voltage to VD1 and VD2 through the single SMB connector at the top of the board, or by connecting to the J3 Molex clip-on bias pins (see schematic)
3. Optionally connect 1st and/or 2nd stage gate bias voltages to VG1 and/or VG2 through the double SMB connectors at the bottom of the board, or by connecting to the Molex clip-on bias pins
4. Optionally adjust VG1 and/or VG2 for optimal application-specific performance



Microsemi Corporate Headquarters
One Enterprise, Aliso Viejo CA 92656 USA
Within the USA: +1 (800) 713-4113
Outside the USA: +1 (949) 380-6100
Sales: +1 (949) 380-6136
Fax: +1 (949) 215-4996
E-mail: sales.support@microsemi.com

Microsemi Corporation (Nasdaq: MSCC) offers a comprehensive portfolio of semiconductor and system solutions for communications, defense and security, aerospace, and industrial markets. Products include high-performance and radiation-hardened analog mixed-signal integrated circuits, FPGAs, SoCs, and ASICs; power management products; timing and synchronization devices and precise time solutions, setting the world's standard for time; voice processing devices; RF solutions; discrete components; security technologies and scalable anti-tamper products; Power-over-Ethernet ICs and midspans; as well as custom design capabilities and services. Microsemi is headquartered in Aliso Viejo, Calif. and has approximately 3,400 employees globally. Learn more at www.microsemi.com.

© 2014 Microsemi Corporation. All rights reserved. Microsemi and the Microsemi logo are trademarks of Microsemi Corporation. All other trademarks and service marks are the property of their respective owners.