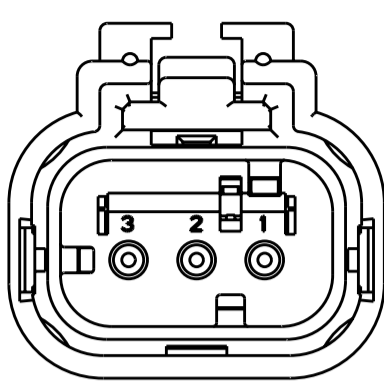
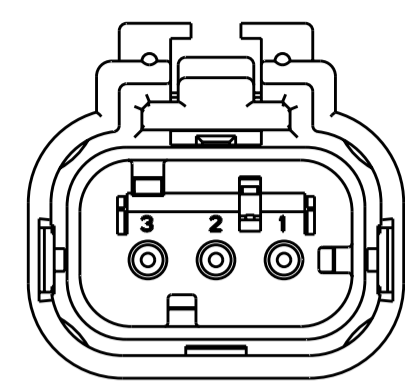


THIS DRAWING IS UNPUBLISHED. RELEASED FOR PUBLICATION 20
 © COPYRIGHT 20 BY - ALL RIGHTS RESERVED.

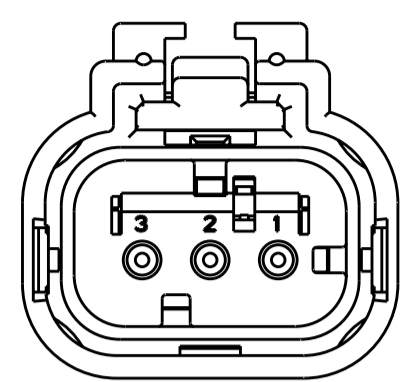
| LOC | DIST | REVISIONS | | | | | |
|-----|------|-----------|-----|---------------------------|-----------|-----|------|
| GE | 00 | P | LTR | DESCRIPTION | DATE | DWN | APVD |
| | | | D2 | REVISED PER ECO-11-005030 | 12MAR2011 | RK | HMR |



776523-2
SCALE 2:1
KEY B

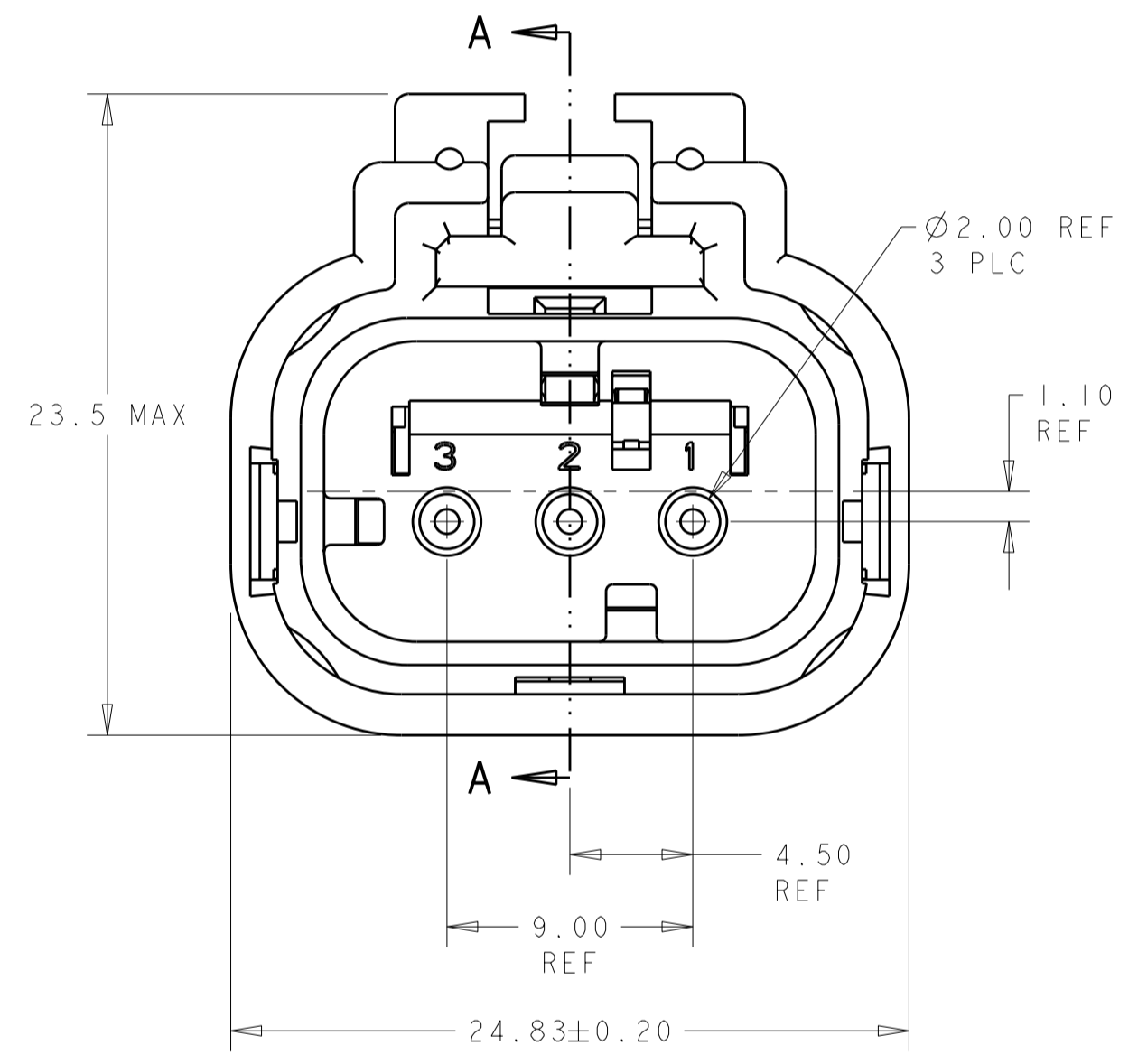


776523-3
SCALE 2:1
KEY C

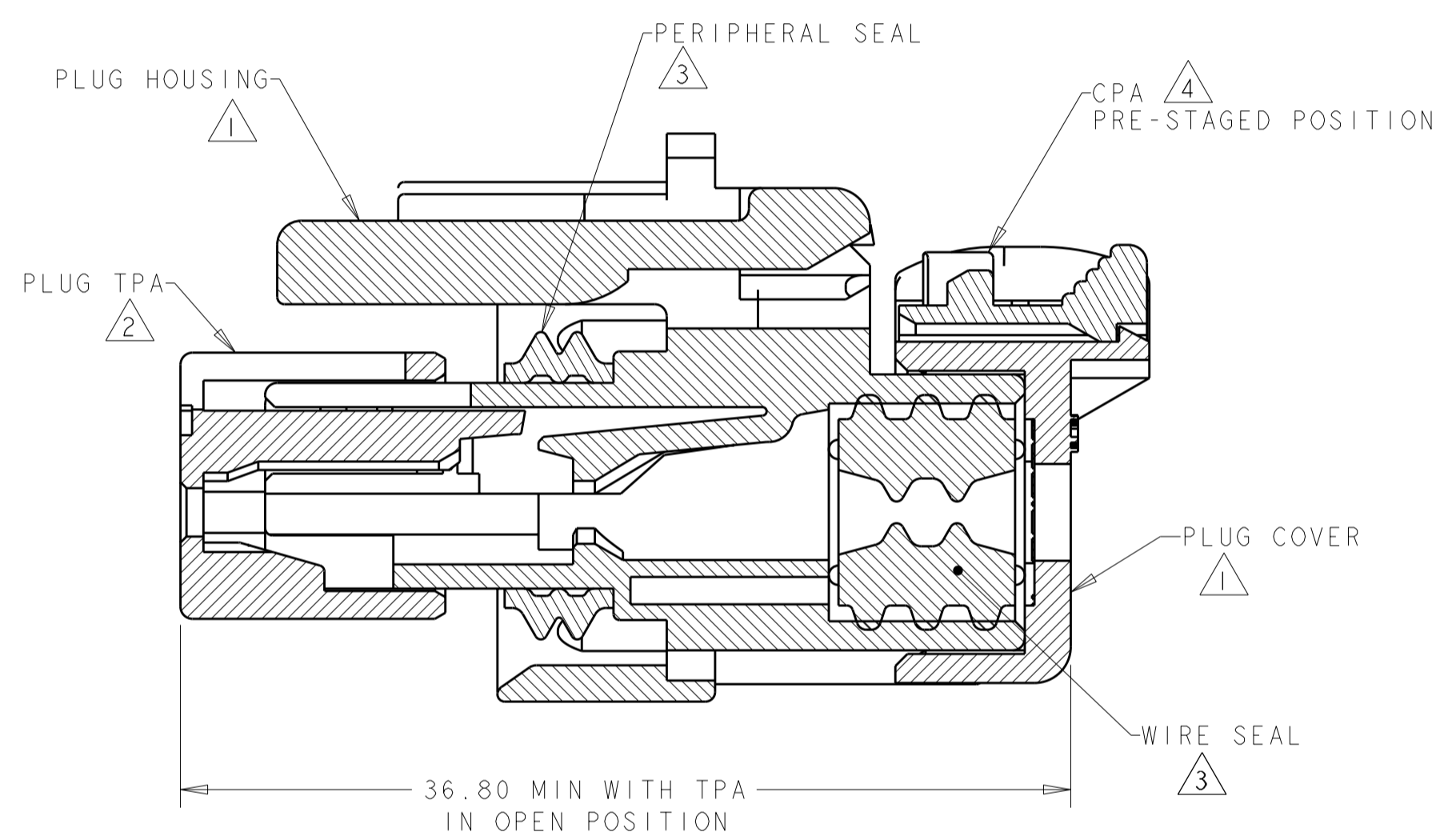


776523-4
SCALE 2:1
KEY D

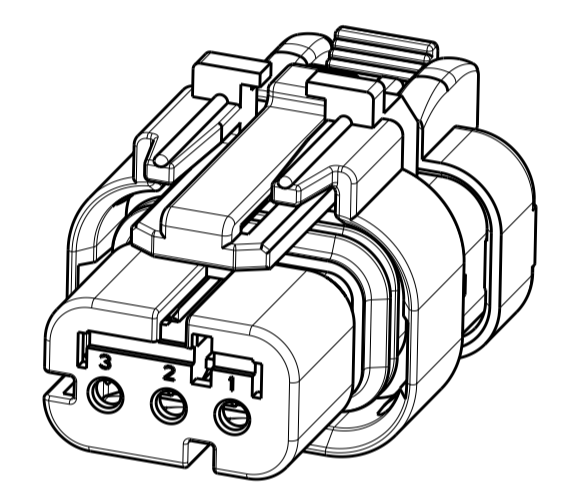
- 1 MATERIAL: 15% GLASS FILLED THERMOPLASTIC
COLOR: BLACK
 - 2 MATERIAL: 15% GLASS FILLED THERMOPLASTIC
COLOR: (SEE TABLE)
 - 3 MATERIAL: SILICONE
COLOR: ORANGE
 - 4 MATERIAL: 15% GLASS FILLED THERMOPLASTIC
COLOR: RED
5. RECOMMENDED WIRE DIAMETER RANGE IS 1.30 TO 2.54mm.



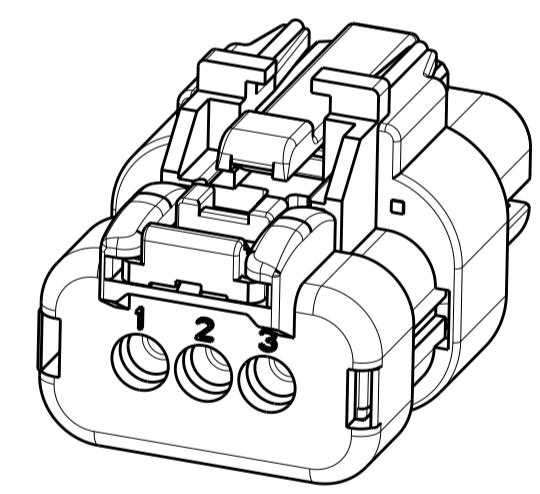
776523-1 SHOWN
KEY A



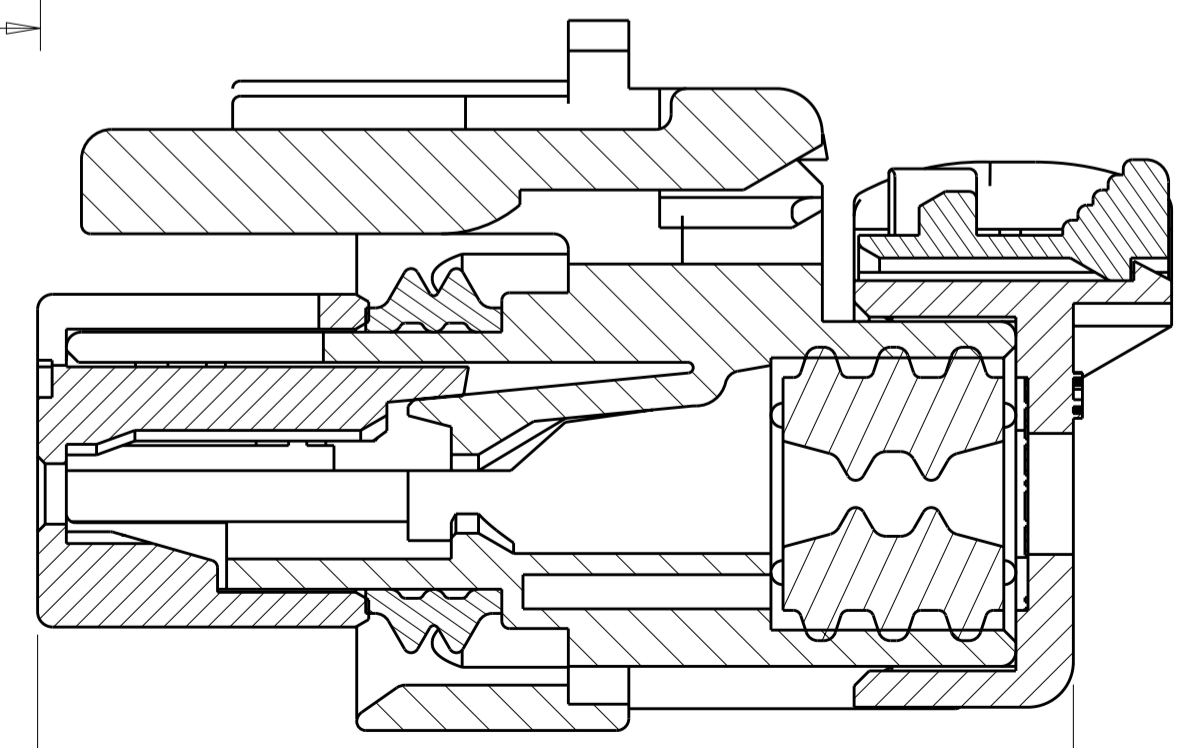
SECTION A-A



SCALE 2:1



SCALE 2:1



SECTION A-A

| | | |
|-----|-----------|-------------|
| D | GREEN | 776523-4 |
| C | YELLOW | 776523-3 |
| B | GRAY | 776523-2 |
| A | RED | 776523-1 |
| KEY | TPA COLOR | PART NUMBER |

THIS DRAWING IS A CONTROLLED DOCUMENT.

| | | | | |
|-------------|--|------------------|------------|---------|
| DIMENSIONS: | TOLERANCES UNLESS OTHERWISE SPECIFIED: | DWN | AJ GRAFF | 22FEB00 |
| mm | 0 PLC ± | CHK | R. GREINER | ITDECO1 |
| | 1 PLC ± | APVD | M. TRULLI | ITDECO1 |
| | 2 PLC ± | PRODUCT SPEC | 108-2184 | |
| | 3 PLC ± | APPLICATION SPEC | 114-13065 | |
| | 4 PLC ± | WEIGHT | 10±1g | |
| | ANGLES ± | CUSTOMER DRAWING | | |
| | FINISH ± | | | |

NAME: PLUG ASSEMBLY, 3 POSITION, SINGLE ROW, REDUCED DIA WIRE SEAL, AMPSEAL 16

SIZE: A2 CAGE CODE: 20779 DRAWING NO: 776523 RESTRICTED TO: -

SCALE: 4:1 SHEET: 1 OF 1 REV: D2