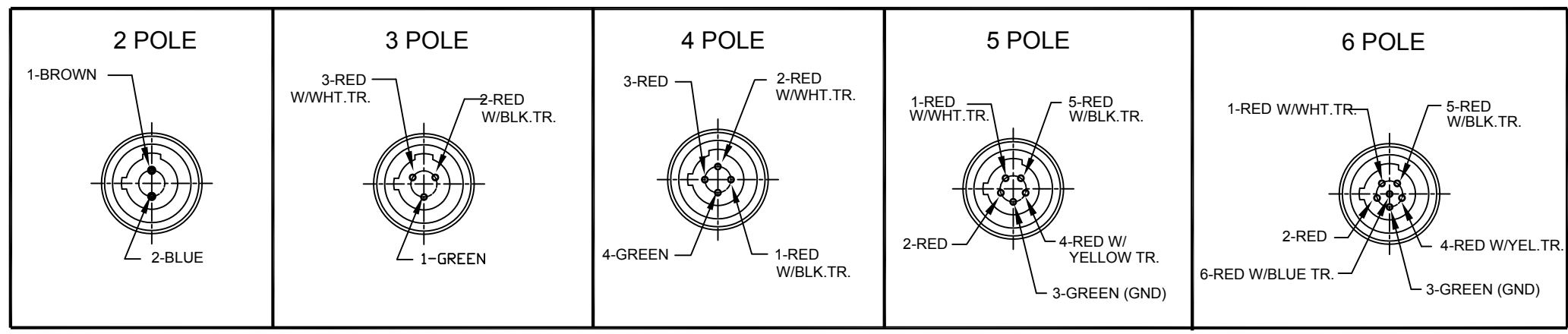


FRONT VIEW - MALE INSERT WIRING COLOR CODE



CONNECTOR SPECIFICATION:

VOLTAGE RATING	250 VAC/VDC
AMPERAGE RATING	4 AMPS
PROTECTION	IP67
OPERATING TEMPERATURE	-20°C TO 80°C
UL CERTIFICATIONS	UL LISTED, FILE NO. E152210
CSA CERTIFICATIONS	CSA CERTIFIED, FILE NO. LR6837

POL	MATERIAL NUMBER	ENGINEERING NUMBER	FINISHED LENGTH
2	1200740042	7R2006A19A120	12.0" +.75" -0 [.3M +19.1 -0]
3	1200740106	7R3006A19A120	12.0" +.75" -0 [.3M +19.1 -0]
4	1200740160	7R4006A19A120	12.0" +.75" -0 [.3M +19.1 -0]
5	1200740222	7R5006A19A120	12.0" +.75" -0 [.3M +19.1 -0]

ITEM	COMPONENT	MATERIAL	FINISH
5	LABLE	MYLAR	BLACK/YELLOW
4	CONTACT PIN	COPPER ALLOY	GOLD OVER NICKEL
3	RECEPTICAL SHELL	ALUMINIUM	ZINC PLATED
2	MALE INSERT	NYLON	BLACK
1	CONDUCTOR- 22 AWG (26x#36 STRANDING) 2-6 CONDUCTOR 300V	PVC	SEE WIRING DIAGRAMM

DESCRIPTION EC NO: WEU2010-0364 DRWN: LSTEMMLE 2010/02/17 CHKD: NS APPR: FPACHER 2010/02/24	QUALITY SYMBOLS ▽ = 0 ▽/C = 0	GENERAL TOLERANCES (UNLESS SPECIFIED)		DIMENSION STYLE IN/MM		SCALE 1:1	DESIGN UNITS METRIC	THIRD ANGLE PROJECTION
		4 PLACES ±---	±---	DRAWN BY	DATE	MICRO CHANGE RECEPTACLE 2-6P DUAL KEYWAY MALE #22/2-6 AWG PVC WIRING		
		3 PLACES ±---	±---	LSTEMMLE	2010/02/17			
		2 PLACES ±---	±.01	CHECKED BY	DATE			
DRAFT WHERE APPLICABLE MUST REMAIN WITHIN DIMENSIONS		1 PLACE ±0.3	±---	APPROVED BY	DATE	MOLEX INCORPORATED		
		ANGULAR ± --- °		FPACHER	2010/02/19			
		SEE TABLE		MATERIAL NO.		DOCUMENT NO. SD-120074-002	SHEET NO. 1 OF 1	
		SIZE A3		THIS DRAWING CONTAINS INFORMATION THAT IS PROPRIETARY TO MOLEX INCORPORATED AND SHOULD NOT BE USED WITHOUT WRITTEN PERMISSION				