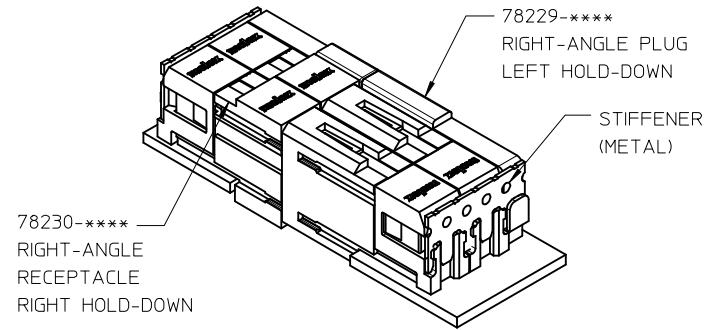
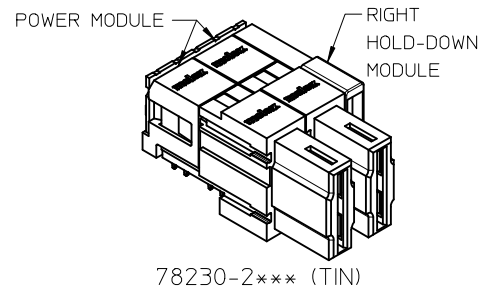
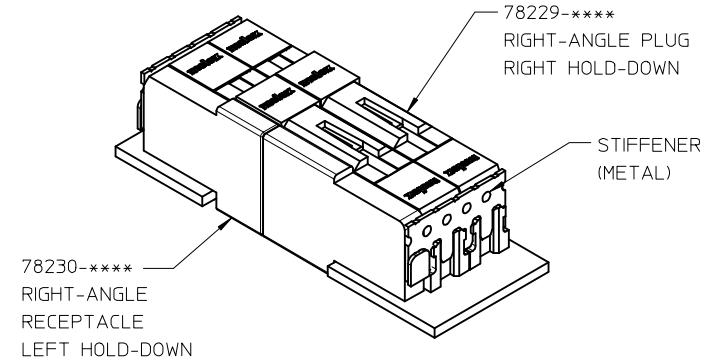
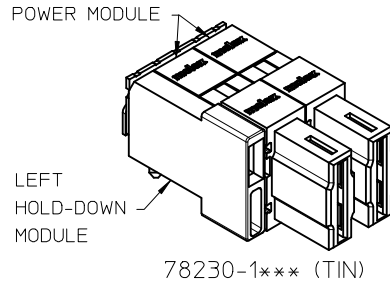


LEFT HOLD DOWN OPTION

PART NUMBER	NUMBER OF POWER MODULES	"DIM A"	PLATING OPTION
78230-1101	1X	10.90	TIN
78230-1102	2X	18.30	



RIGHT HOLD DOWN OPTION

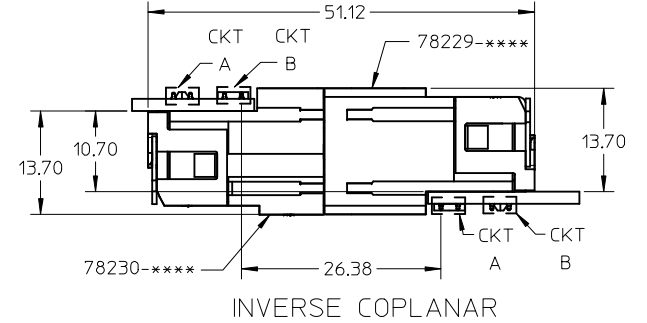
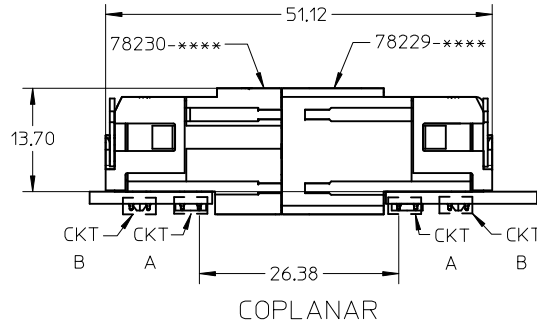
PART NUMBER	NUMBER OF POWER MODULES	"DIM A"	PLATING OPTION
78230-2101	1X	10.90	TIN
78230-2102	2X	18.30	





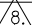
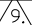

NOTES:


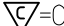

- MATERIALS :**
HOUSING - LIQUID CRYSTAL POLYMER, GLASS FILLED, UL94V-0, COLOR:BLACK.
POWER PIN - COPPER ALLOY
- FINISHES :**
POWER CONTACTS
0.764µm MINIMUM GOLD AT CONTACT AREA AND
2.544µm MINIMUM TIN AT SOLDER TAIL AREA OVER
1.274µm MINIMUM NICKEL UNDERPLATE.
- PRODUCT SPECIFICATION:** PS-78231-006.

-  CONNECTOR KEEP OUT ZONE.
-  PCB NOTE FOR PLATED HOLE.

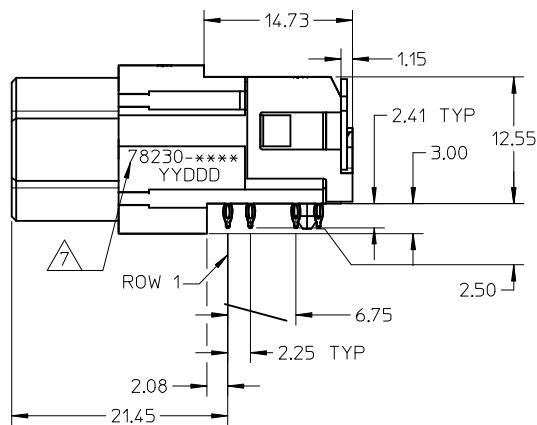
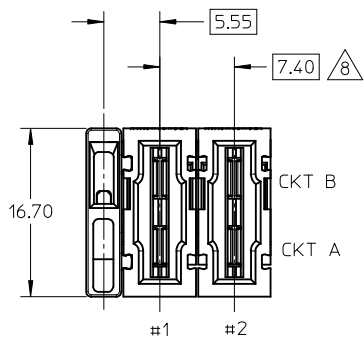
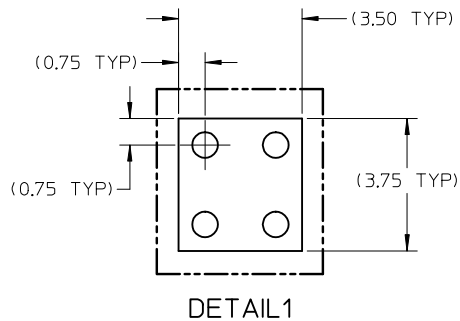
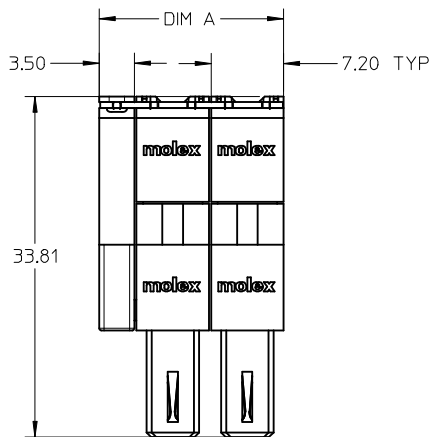


TYPE OF PLATED HOLE	DRILLED HOLE SIZE	PLATING THICKNESS	PLATED HOLE SIZE "ØDIM H"
TIN/TIN-LEAD	0.838	0.007 MIN TIN/TIN-LEAD/SILVER	0.725±0.075
SILVER	0.863	OVER 0.03 TO 0.08 COPPER PLATING	0.750±0.050

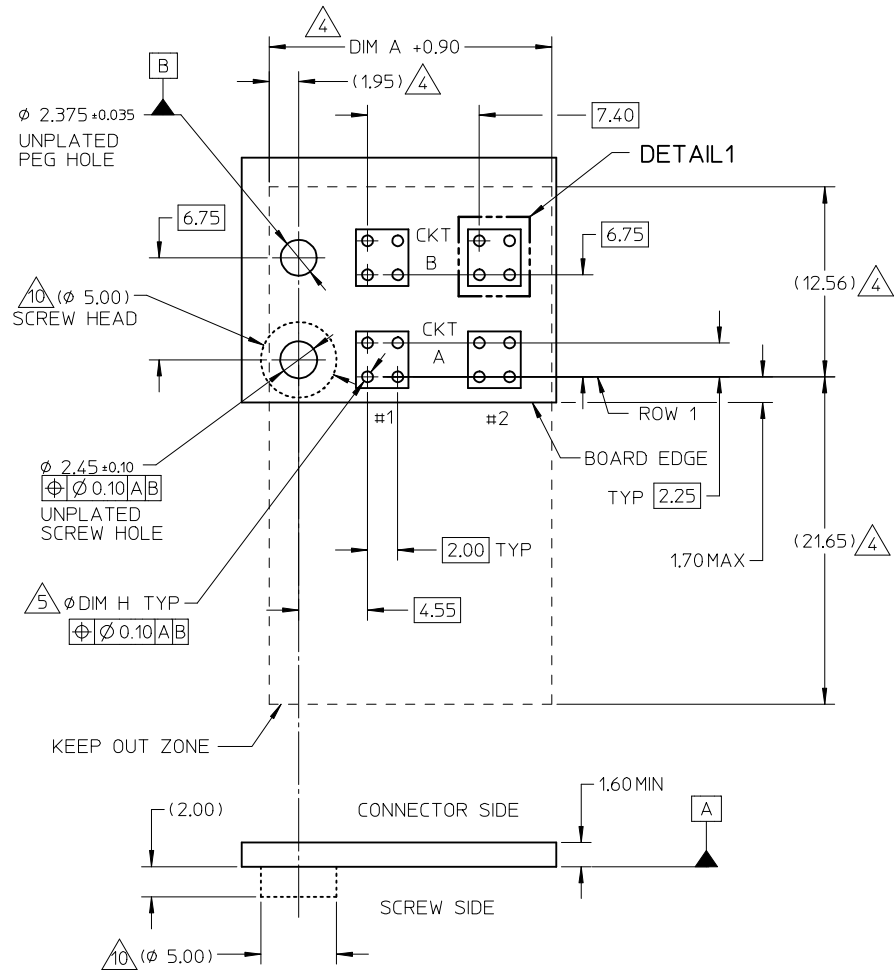
-  78230-**** MATES WITH 78229-****.
-  PART NUMBER AND YEAR-DAY CODE APPROXIMATELY SHOWN.
-  ADD 7.40mm FOR EACH ADDITIONAL POWER MODULE.
-  REFER TO SHEET 2 FOR LEFT HOLD DOWN OPTION AND SHEET 3 FOR RIGHT HOLD DOWN OPTION.
-  ALL PARTS ARE SHIPPED WITH A 2-32 AB SELF TAPPING SCREW. PART NUMBER 73726-0005.
- 11. PACKAGING PROCEDURE AS PER PK-78230-001.

CONSOLIDATE P/N EC NO: S2011-0389 DRWN: SHONG CHKD: LING APPR: NAGESHKIN 2010/10/27 2010/11/03 2010/11/03	QUALITY SYMBOLS	GENERAL TOLERANCES (UNLESS SPECIFIED)		DIMENSION STYLE	SCALE	DESIGN UNITS	THIRD ANGLE PROJECTION															
	 = 0  = 0	<table border="1"> <thead> <tr> <th></th> <th>mm</th> <th>INCH</th> </tr> </thead> <tbody> <tr> <td>4 PLACES</td> <td>± ---</td> <td>± ---</td> </tr> <tr> <td>3 PLACES</td> <td>± ---</td> <td>± ---</td> </tr> <tr> <td>2 PLACES</td> <td>± 0.25</td> <td>± ---</td> </tr> <tr> <td>1 PLACE</td> <td>± ---</td> <td>± ---</td> </tr> </tbody> </table>			mm	INCH	4 PLACES	± ---	± ---	3 PLACES	± ---	± ---	2 PLACES	± 0.25	± ---	1 PLACE	± ---	± ---	MM ONLY	NTS	METRIC	I-TRAC POWER, 7 ROW R/A RECEPTACLE, PRESSFIT W/HOLD DOWN MODULE  MOLEX INCORPORATED
			mm	INCH																		
	4 PLACES	± ---	± ---																			
	3 PLACES	± ---	± ---																			
2 PLACES	± 0.25	± ---																				
1 PLACE	± ---	± ---																				
DRAFT WHERE APPLICABLE MUST REMAIN WITHIN DIMENSIONS		DRAWN BY: ANG CHECKED BY: LNG APPROVED BY: NAGESHKIN MATERIAL NO.	DATE: 2007/10/15 DATE: 2007/11/30 DATE: 2010/11/03	TITLE	DOCUMENT NO.																	
		SEE TABLE	SD-78230-001	SHEET NO.	1 OF 3																	
		THIS DRAWING CONTAINS INFORMATION THAT IS PROPRIETARY TO MOLEX INCORPORATED AND SHOULD NOT BE USED WITHOUT WRITTEN PERMISSION																				

LEFT HOLD DOWN OPTION



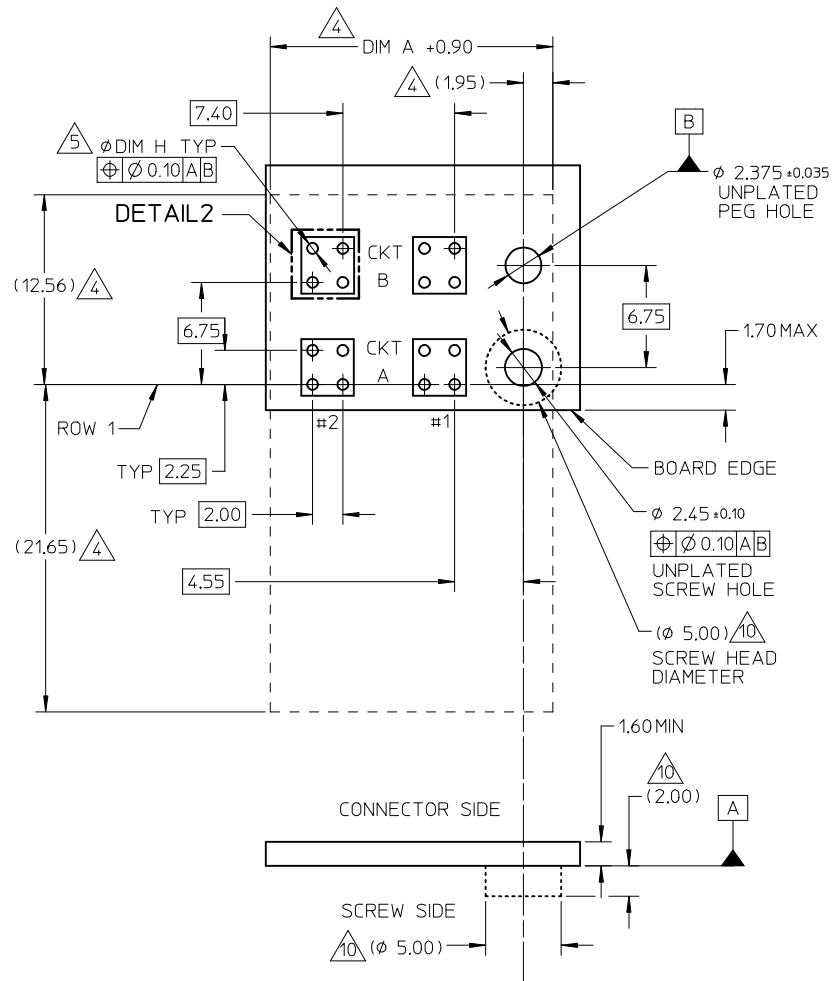
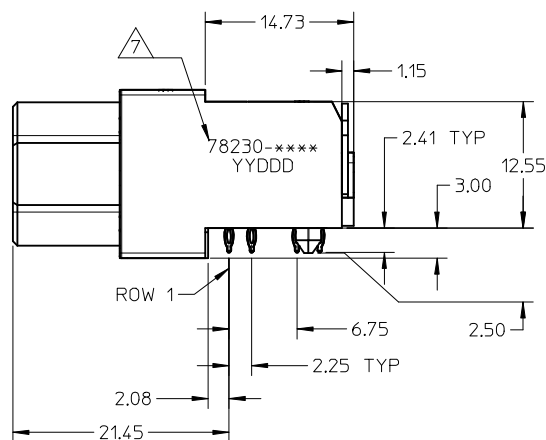
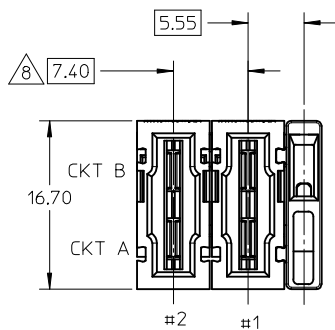
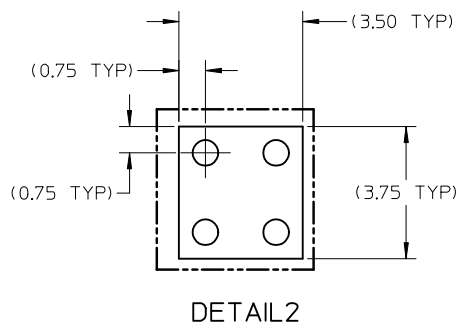
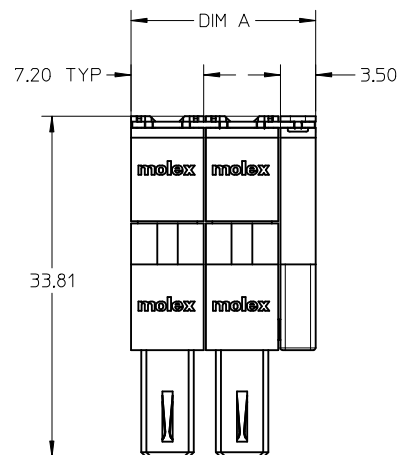
RECOMMENDED PCB LAYOUT
(CONNECTOR SIDE SHOWN)



CONSOLIDATE P/N EC NO: S2011-0389 DRWN: SHONG CHKD: LNG APPR: NAGESHKN 2010/10/27 2010/11/03 2010/11/03	QUALITY SYMBOLS ▽=0 ◻=0	GENERAL TOLERANCES (UNLESS SPECIFIED)		DIMENSION STYLE MM ONLY		SCALE NTS	DESIGN UNITS METRIC	THIRD ANGLE PROJECTION	
			mm	INCH	DRAWN BY ANG	DATE 2007/10/15	TITLE I-TRAC POWER, 7 ROW R/A RECEPTACLE, PRESSFIT W/HOLD DOWN MODULE		
		4 PLACES	± ---	± ---	CHECKED BY LNG	DATE 2007/11/30	MOLEX INCORPORATED		
		3 PLACES	± ---	± ---	APPROVED BY NAGESHKN	DATE 2010/11/03	DOCUMENT NO. SD-78230-001		
	2 PLACES	± 0.25	± ---	MATERIAL NO.		SHEET NO. 2 OF 3			
	1 PLACE	± ---	± ---	SIZE A3		THIS DRAWING CONTAINS INFORMATION THAT IS PROPRIETARY TO MOLEX INCORPORATED AND SHOULD NOT BE USED WITHOUT WRITTEN PERMISSION			
DRAFT WHERE APPLICABLE MUST REMAIN WITHIN DIMENSIONS		ANGULAR ± 3 °		SEE TABLE					

RIGHT HOLD DOWN OPTION

RECOMMENDED PCB LAYOUT
(CONNECTOR SIDE SHOWN)



CONSOLIDATE P/N EC NO: S2071-0389 DRWN: SHONG CHKD: LNG APPR: NAGESHKN 2010/10/27 2010/11/03 2010/11/03	QUALITY SYMBOLS ▽=0 ◻=0	GENERAL TOLERANCES (UNLESS SPECIFIED)		DIMENSION STYLE MM ONLY		SCALE NTS	DESIGN UNITS METRIC	THIRD ANGLE PROJECTION		
			mm	INCH	DRAWN BY	DATE	TITLE			
		4 PLACES	± ---	± ---	ANG	2007/10/15	I-TRAC POWER, 7 ROW R/A RECEPTACLE, PRESSFIT W/HOLD DOWN MODULE			
		3 PLACES	± ---	± ---	CHECKED BY	DATE				
	± 0.25	± ---	2 PLACES	± ---	± ---	APPROVED BY	DATE	MOLEX INCORPORATED		
	± ---	± ---	1 PLACE	± ---	± ---	NAGESHKN	2010/11/03	MOLEX INCORPORATED		
	ANGULAR ± 3 °		MATERIAL NO.		SEE TABLE		DOCUMENT NO.		SHEET NO.	
DRAFT WHERE APPLICABLE MUST REMAIN WITHIN DIMENSIONS				SIZE A3		THIS DRAWING CONTAINS INFORMATION THAT IS PROPRIETARY TO MOLEX INCORPORATED AND SHOULD NOT BE USED WITHOUT WRITTEN PERMISSION				
						SD-78230-001		3 OF 3		