

## Features

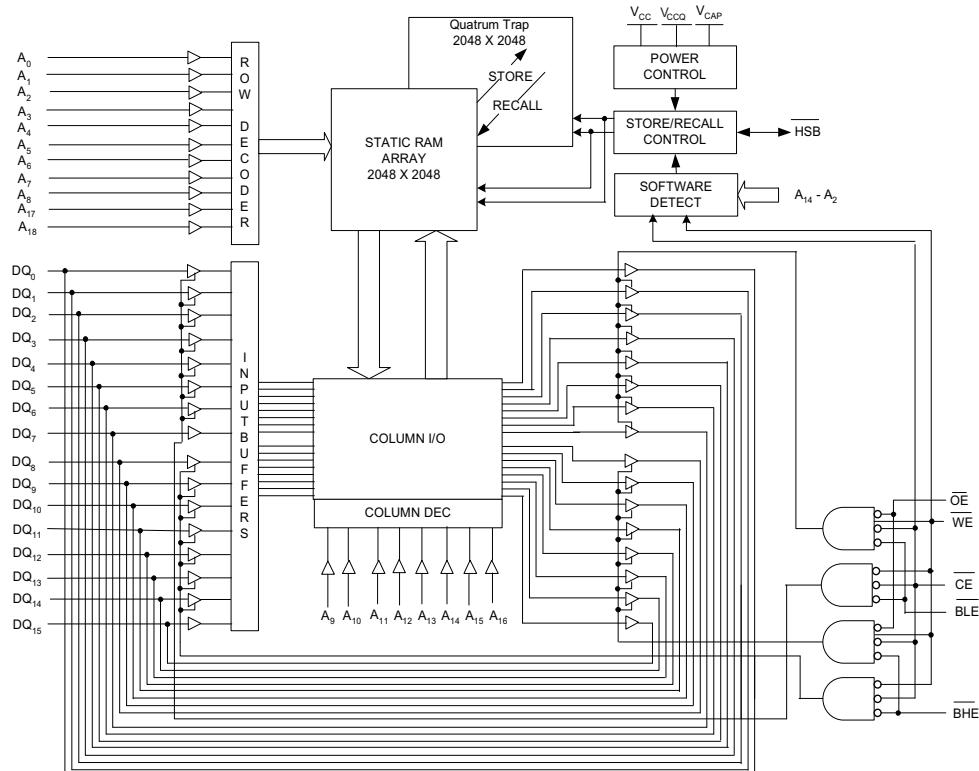
- 25 ns and 45 ns access times
- Internally organized as 512 K × 8 (CY14V104LA) or 256 K × 16 (CY14V104NA)
- Hands off automatic STORE on power-down with only a small capacitor
- STORE to QuantumTrap non-volatile elements initiated by software, device pin, or AutoStore on power-down
- RECALL to SRAM initiated by software or power-up
- Infinite read, write, and recall cycles
- 1-million STORE cycles to QuantumTrap
- 20 year data retention
- Core  $V_{CC} = 3.0\text{ V to }3.6\text{ V}$ ; IO  $V_{CCQ} = 1.65\text{ V to }1.95\text{ V}$
- Industrial temperature
- 48-ball fine-pitch ball grid array (FBGA) package
- Pb-free and restriction of hazardous substances (RoHS) compliance

## Functional Description

The Cypress CY14V104LA/CY14V104NA is a fast static RAM, with a non-volatile element in each memory cell. The memory is organized as 512 K bytes of 8 bits each or 256 K words of 16 bits each. The embedded non-volatile elements incorporate QuantumTrap technology, producing the world's most reliable non-volatile memory. The SRAM provides infinite read and write cycles, while independent non-volatile data resides in the highly reliable QuantumTrap cell. Data transfers from the SRAM to the non-volatile elements (the STORE operation) takes place automatically at power-down. On power-up, data is restored to the SRAM (the RECALL operation) from the non-volatile memory. Both the STORE and RECALL operations are also available under software control.

For a complete list of related documentation, click [here](#).

## Logic Block Diagram [1, 2, 3]



### Notes

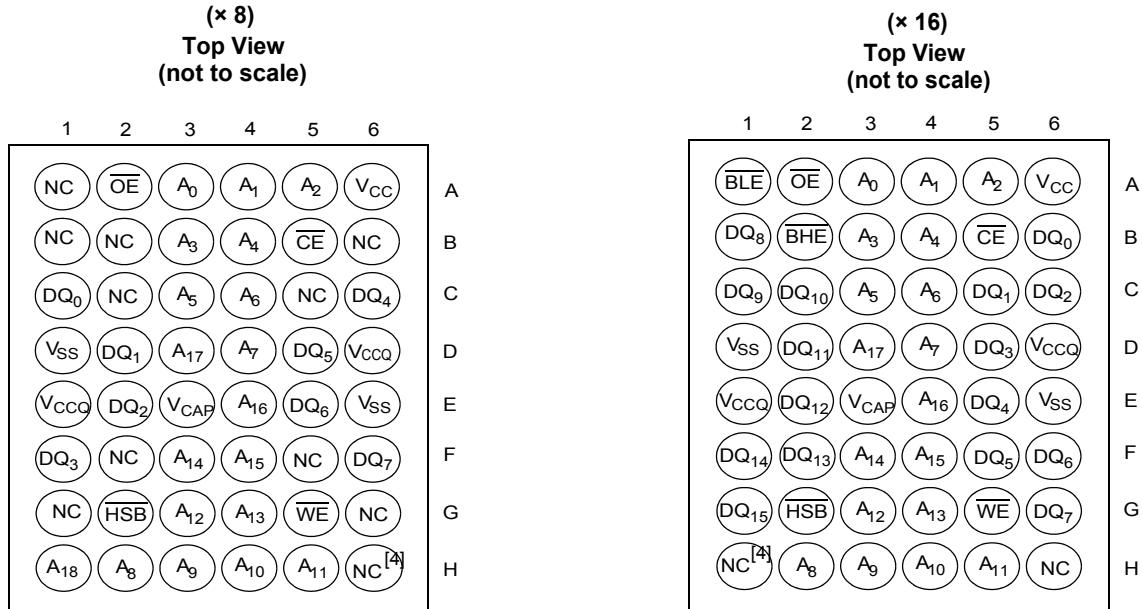
1. Address  $A_0$ - $A_{18}$  for × 8 configuration and Address  $A_0$ - $A_{17}$  for × 16 configuration.
2. Data  $DQ_0$ - $DQ_7$  for × 8 configuration and Data  $DQ_0$ - $DQ_{15}$  for × 16 configuration.
3.  $\overline{BHE}$  and  $\overline{BLE}$  are applicable for × 16 configuration only.

## Contents

<b>Pinouts</b> .....	<b>3</b>	<b>AutoStore/Power-Up RECALL</b> .....	<b>14</b>
<b>Pin Definitions</b> .....	<b>3</b>	<b>Switching Waveforms</b> .....	<b>14</b>
<b>Device Operation</b> .....	<b>4</b>	<b>Software Controlled STORE/RECALL Cycle</b> .....	<b>15</b>
SRAM Read .....	4	<b>Switching Waveforms</b> .....	<b>15</b>
SRAM Write .....	4	<b>Hardware STORE Cycle</b> .....	<b>16</b>
AutoStore Operation .....	4	<b>Switching Waveforms</b> .....	<b>16</b>
Hardware STORE Operation .....	4	<b>Truth Table For SRAM Operations</b> .....	<b>17</b>
Hardware RECALL (Power-Up) .....	5	<b>Ordering Information</b> .....	<b>18</b>
Software STORE .....	5	Ordering Code Definitions .....	18
Software RECALL .....	5	<b>Package Diagrams</b> .....	<b>19</b>
Preventing AutoStore .....	6	<b>Acronyms</b> .....	<b>20</b>
Data Protection .....	6	<b>Document Conventions</b> .....	<b>20</b>
<b>Maximum Ratings</b> .....	<b>7</b>	Units of Measure .....	20
<b>Operating Range</b> .....	<b>7</b>	<b>Document History Page</b> .....	<b>21</b>
<b>DC Electrical Characteristics</b> .....	<b>7</b>	<b>Sales, Solutions, and Legal Information</b> .....	<b>23</b>
<b>Data Retention and Endurance</b> .....	<b>8</b>	Worldwide Sales and Design Support .....	23
<b>Capacitance</b> .....	<b>8</b>	Products .....	23
<b>Thermal Resistance</b> .....	<b>8</b>	PSoC® Solutions .....	23
<b>AC Test Loads</b> .....	<b>9</b>	Cypress Developer Community .....	23
<b>AC Test Conditions</b> .....	<b>9</b>	Technical Support .....	23
<b>AC Switching Characteristics</b> .....	<b>10</b>		
<b>Switching Waveforms</b> .....	<b>11</b>		

## Pinouts

Figure 1. Pin Diagram – 48-ball FBGA



## Pin Definitions

Pin Name	I/O Type	Description
A <sub>0</sub> –A <sub>18</sub>	Input	Address Inputs Used to Select One of the 524,288 bytes of the nvSRAM for × 8 Configuration.
A <sub>0</sub> –A <sub>17</sub>		Address Inputs Used to Select One of the 262,144 words of the nvSRAM for × 16 Configuration.
DQ <sub>0</sub> –DQ <sub>7</sub>	Input/output	Bidirectional Data I/O Lines for × 8 Configuration. Used as input or output lines depending on operation.
DQ <sub>0</sub> –DQ <sub>15</sub>		Bidirectional Data I/O Lines for × 16 Configuration. Used as input or output lines depending on operation.
$\overline{WE}$	Input	Write Enable Input, Active LOW. When selected LOW, data on the I/O pins is written to the specific address location.
$\overline{CE}$	Input	Chip Enable Input, Active LOW. When LOW, selects the chip. When HIGH, deselects the chip.
$\overline{OE}$	Input	Output Enable, Active LOW. The active LOW OE input enables the data output buffers during read cycles. I/O pins are tri-stated on deasserting OE HIGH.
$\overline{BHE}$	Input	Byte High Enable, Active LOW. Controls DQ <sub>15</sub> –DQ <sub>8</sub> .
$\overline{BLE}$	Input	Byte Low Enable, Active LOW. Controls DQ <sub>7</sub> –DQ <sub>0</sub> .
V <sub>SS</sub>	Ground	Ground for the Device. Must be connected to the ground of the system.
V <sub>CC</sub>	Power supply	Power Supply Inputs to the Core of the Device.
V <sub>CCQ</sub>	Power supply	Power Supply Inputs for the Inputs and Outputs of the Device.
$\overline{HSB}$	Input/output	Hardware Store Busy (HSB). Output: Indicates busy status of nvSRAM when LOW. After each Hardware and Software STORE operation, $\overline{HSB}$ is driven HIGH for a short time ( $t_{HHHD}$ ) with standard output high current and then a weak internal pull-up resistor keeps this pin HIGH (external pull-up resistor connection optional). Input: Hardware STORE implemented by pulling this pin LOW externally.
V <sub>CAP</sub>	Power supply	AutoStore Capacitor. Supplies power to the nvSRAM during power loss to store data from SRAM to non-volatile elements.
NC	No Connect	No Connect. This pin is not connected to the die.

### Note

4. Address expansion for 8-Mbit. NC pin not connected to die.

## Device Operation

The CY14V104LA/CY14V104NA nvSRAM is made up of two functional components paired in the same physical cell. They are a SRAM memory cell and a non-volatile QuantumTrap cell. The SRAM memory cell operates as a standard fast static RAM. Data in the SRAM is transferred to the non-volatile cell (the STORE operation), or from the non-volatile cell to the SRAM (the RECALL operation). Using this unique architecture, all cells are stored and recalled in parallel. During the STORE and RECALL operations, SRAM read and write operations are inhibited. The CY14V104LA/CY14V104NA supports infinite reads and writes similar to a typical SRAM. In addition, it provides infinite RECALL operations from the non-volatile cells and up to 1 million STORE operations. See [Truth Table For SRAM Operations on page 17](#) for a complete description of read and write modes.

### SRAM Read

The CY14V104LA/CY14V104NA performs a read cycle when  $\overline{CE}$  and  $\overline{OE}$  are LOW and  $\overline{WE}$  and  $\overline{HSB}$  are HIGH. The address specified on pins  $A_{0-18}$  or  $A_{0-17}$  determines which of the 524,288 data bytes or 262,144 words of 16 bits each are accessed. Byte enables ( $\overline{BHE}$ ,  $\overline{BLE}$ ) determine which bytes are enabled to the output, in the case of 16-bit words. When the read is initiated by an address transition, the outputs are valid after a delay of  $t_{AA}$  (read cycle 1). If the read is initiated by  $\overline{CE}$  or  $\overline{OE}$ , the outputs are valid at  $t_{ACE}$  or at  $t_{DOE}$ , whichever is later (read cycle 2). The data output repeatedly responds to address changes within the  $t_{AA}$  access time without the need for transitions on any control input pins. This remains valid until another address change or until  $\overline{CE}$  or  $\overline{OE}$  is brought HIGH, or  $\overline{WE}$  or  $\overline{HSB}$  is brought LOW.

### SRAM Write

A write cycle is performed when  $\overline{CE}$  and  $\overline{WE}$  are LOW and  $\overline{HSB}$  is HIGH. The address inputs must be stable before entering the write cycle and must remain stable until  $\overline{CE}$  or  $\overline{WE}$  goes HIGH at the end of the cycle. The data on the common I/O pins  $DQ_{0-15}$  are written into the memory if the data is valid  $t_{SD}$  before the end of a  $\overline{WE}$  controlled write or before the end of an  $\overline{CE}$  controlled write. The Byte Enable inputs ( $\overline{BHE}$ ,  $\overline{BLE}$ ) determine which bytes are written, in the case of 16-bit words. It is recommended that  $\overline{OE}$  be kept HIGH during the entire write cycle to avoid data bus contention on common I/O lines. If  $\overline{OE}$  is left LOW, internal circuitry turns off the output buffers  $t_{HZWE}$  after  $\overline{WE}$  goes LOW.

### AutoStore Operation

The CY14V104LA/CY14V104NA stores data to the nvSRAM using one of the following three storage operations: Hardware Store activated by  $\overline{HSB}$ ; Software Store activated by an address sequence; AutoStore on device power-down. The AutoStore operation is a unique feature of QuantumTrap technology and is enabled by default on the CY14V104LA/CY14V104NA.

During a normal operation, the device draws current from  $V_{CC}$  to charge a capacitor connected to the  $V_{CAP}$  pin. This stored charge is used by the chip to perform a single STORE operation. If the voltage on the  $V_{CC}$  pin drops below  $V_{SWITCH}$ , the part automatically disconnects the  $V_{CAP}$  pin from  $V_{CC}$ . A STORE operation is initiated with power provided by the  $V_{CAP}$  capacitor.

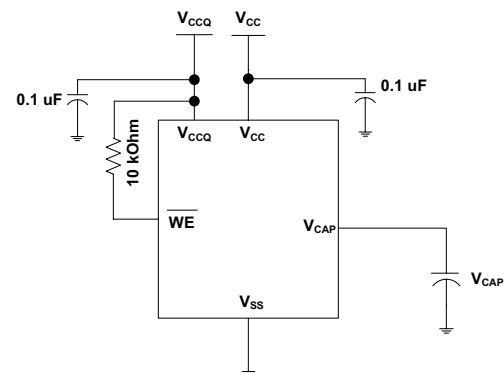
**Note** If a capacitor is not connected to  $V_{CAP}$  pin, AutoStore must be disabled using the soft sequence specified in [Preventing AutoStore on page 6](#). If AutoStore is enabled without a capacitor

on  $V_{CAP}$  pin, the device attempts an AutoStore operation without sufficient charge to complete the Store. This may corrupt the data stored in nvSRAM.

Figure 2 shows the proper connection of the storage capacitor ( $V_{CAP}$ ) for automatic store operation. Refer to [DC Electrical Characteristics on page 7](#) for the size of  $V_{CAP}$ . The voltage on the  $V_{CAP}$  pin is driven to  $V_{CC}$  by a regulator on the chip. A pull-up should be placed on  $\overline{WE}$  to hold it inactive during power-up. This pull-up is effective only if the  $\overline{WE}$  signal is tristate during power-up. Many MPUs tristate their controls on power-up. This should be verified when using the pull-up. When the nvSRAM comes out of power-on-recall, the MPU must be active or the  $\overline{WE}$  held inactive until the MPU comes out of reset.

To reduce unnecessary non-volatile stores, AutoStore and hardware store operations are ignored unless at least one write operation has taken place since the most recent STORE or RECALL cycle. Software initiated STORE cycles are performed regardless of whether a write operation has taken place.

**Figure 2. AutoStore Mode**



### Hardware STORE Operation

The CY14V104LA/CY14V104NA provides the  $\overline{HSB}$  pin to control and acknowledge the STORE operations. Use the  $\overline{HSB}$  pin to request a hardware STORE cycle. When the  $\overline{HSB}$  pin is driven LOW, the CY14V104LA/CY14V104NA conditionally initiates a STORE operation after  $t_{DELAY}$ . An actual STORE cycle only begins if a write to the SRAM has taken place since the last STORE or RECALL cycle. The  $\overline{HSB}$  pin also acts as an open drain driver (internal 100 k $\Omega$  weak pull-up resistor) that is internally driven LOW to indicate a busy condition when the STORE (initiated by any means) is in progress.

**Note** After each Hardware and Software STORE operation  $\overline{HSB}$  is driven HIGH for a short time ( $t_{HHHD}$ ) with standard output high current and then remains HIGH by internal 100 k $\Omega$  pull-up resistor.

SRAM write operations that are in progress when  $\overline{HSB}$  is driven LOW by any means are given time ( $t_{DELAY}$ ) to complete before the STORE operation is initiated. However, any SRAM write cycles requested after  $\overline{HSB}$  goes LOW are inhibited until  $\overline{HSB}$  returns HIGH. In case the write latch is not set,  $\overline{HSB}$  is not driven LOW by the CY14V104LA/CY14V104NA. But any SRAM read and write cycles are inhibited until  $\overline{HSB}$  is returned HIGH by MPU or other external source.

During any STORE operation, regardless of how it is initiated, the CY14V104LA/CY14V104NA continues to drive the  $\overline{HSB}$  pin

LOW, releasing it only when the STORE is complete. Upon completion of the STORE operation, the CY14V104LA/CY14V104NA remains disabled until the HSB pin returns HIGH. Leave the HSB unconnected if it is not used.

### Hardware RECALL (Power-Up)

During power-up or after any low power condition ( $V_{CC} < V_{SWITCH}$ ), an internal RECALL request is latched. When  $V_{CC}$  again exceeds the sense voltage of  $V_{SWITCH}$ , a RECALL cycle is automatically initiated and takes  $t_{HRECALL}$  to complete. During this time, HSB is driven LOW by the HSB driver.

### Software STORE

Data is transferred from SRAM to the non-volatile memory by a software address sequence. The CY14V104LA/CY14V104NA software STORE cycle is initiated by executing sequential  $\overline{CE}$  controlled read cycles from six specific address locations in exact order. During the STORE cycle an erase of the previous non-volatile data is first performed, followed by a program of the non-volatile elements. After a STORE cycle is initiated, further input and output are disabled until the cycle is completed.

Because a sequence of READs from specific addresses is used for STORE initiation, it is important that no other read or write accesses intervene in the sequence, or the sequence is aborted and no STORE or RECALL takes place.

To initiate the software STORE cycle, the following read sequence must be performed.

1. Read Address 0x4E38 Valid READ
2. Read Address 0xB1C7 Valid READ
3. Read Address 0x83E0 Valid READ

4. Read Address 0x7C1F Valid READ
5. Read Address 0x703F Valid READ
6. Read Address 0x8FC0 Initiate STORE Cycle

The software sequence may be clocked with  $\overline{CE}$  controlled reads or  $\overline{OE}$  controlled reads, with  $\overline{WE}$  kept HIGH for all the six READ sequences. After the sixth address in the sequence is entered, the STORE cycle commences and the chip is disabled. HSB is driven LOW. After the  $t_{STORE}$  cycle time is fulfilled, the SRAM is activated again for the read and write operation.

### Software RECALL

Data is transferred from non-volatile memory to the SRAM by a software address sequence. A software RECALL cycle is initiated with a sequence of read operations in a manner similar to the software STORE initiation. To initiate the RECALL cycle, the following sequence of  $\overline{CE}$  controlled read operations must be performed.

1. Read Address 0x4E38 Valid READ
2. Read Address 0xB1C7 Valid READ
3. Read Address 0x83E0 Valid READ
4. Read Address 0x7C1F Valid READ
5. Read Address 0x703F Valid READ
6. Read Address 0x4C63 Initiate RECALL Cycle

Internally, RECALL is a two step procedure. First, the SRAM data is cleared; then, the non-volatile information is transferred into the SRAM cells. After the  $t_{RECALL}$  cycle time, the SRAM is again ready for read and write operations. The RECALL operation does not alter the data in the non-volatile elements.

**Table 1. Mode Selection**

$\overline{CE}$	$\overline{WE}$	$\overline{OE}$	$\overline{BHE}, \overline{BLE}^{[5]}$	$A_{15}-A_0^{[6]}$	Mode	I/O	Power
H	X	X	X	X	Not Selected	Output High Z	Standby
L	H	L	L	X	Read SRAM	Output Data	Active
L	L	X	L	X	Write SRAM	Input Data	Active
L	H	L	X	0x4E38 0xB1C7 0x83E0 0x7C1F 0x703F 0x8B45	Read SRAM Read SRAM Read SRAM Read SRAM Read SRAM AutoStore Disable	Output Data Output Data Output Data Output Data Output Data Output Data	Active <sup>[7]</sup>

**Notes**

5.  $\overline{BHE}$  and  $\overline{BLE}$  are applicable for  $\times 16$  configuration only.
6. While there are 19 address lines on the CY14V104LA (18 address lines on the CY14V104NA), only the 13 address lines ( $A_{14}-A_2$ ) are used to control software modes. Rest of the address lines are don't care.
7. The six consecutive address locations must be in the order listed.  $\overline{WE}$  must be HIGH during all six cycles to enable a non-volatile cycle.

**Table 1. Mode Selection** (continued)

$\overline{CE}$	$\overline{WE}$	$\overline{OE}$	$\overline{BHE}, \overline{BLE}^{[5]}$	$A_{15}-A_0^{[6]}$	Mode	I/O	Power
L	H	L	X	0x4E38 0xB1C7 0x83E0 0x7C1F 0x703F 0x4B46	Read SRAM Read SRAM Read SRAM Read SRAM Read SRAM AutoStore Enable	Output Data Output Data Output Data Output Data Output Data Output Data	Active <sup>[8]</sup>
L	H	L	X	0x4E38 0xB1C7 0x83E0 0x7C1F 0x703F 0x8FC0	Read SRAM Read SRAM Read SRAM Read SRAM Read SRAM Non-volatile Store	Output Data Output Data Output Data Output Data Output Data Output High Z	Active $I_{CC2}^{[8]}$
L	H	L	X	0x4E38 0xB1C7 0x83E0 0x7C1F 0x703F 0x4C63	Read SRAM Read SRAM Read SRAM Read SRAM Read SRAM Non-volatile Recall	Output Data Output Data Output Data Output Data Output Data Output High Z	Active <sup>[8]</sup>

### Preventing AutoStore

The AutoStore function is disabled by initiating an AutoStore disable sequence. A sequence of read operations is performed in a manner similar to the software STORE initiation. To initiate the AutoStore disable sequence, the following sequence of CE controlled read operations must be performed:

1. Read address 0x4E38 Valid READ
2. Read address 0xB1C7 Valid READ
3. Read address 0x83E0 Valid READ
4. Read address 0x7C1F Valid READ
5. Read address 0x703F Valid READ
6. Read address 0x8B45 AutoStore Disable

The AutoStore is re-enabled by initiating an AutoStore enable sequence. A sequence of read operations is performed in a manner similar to the software RECALL initiation. To initiate the AutoStore enable sequence, the following sequence of CE controlled read operations must be performed:

1. Read address 0x4E38 Valid READ
2. Read address 0xB1C7 Valid READ
3. Read address 0x83E0 Valid READ
4. Read address 0x7C1F Valid READ
5. Read address 0x703F Valid READ
6. Read address 0x4B46 AutoStore Enable

If the AutoStore function is disabled or re-enabled, a manual STORE operation (hardware or software) must be issued to save the AutoStore state through subsequent power-down cycles. The part comes from the factory with AutoStore enabled and 0x00 written in all cells.

### Data Protection

The CY14V104LA/CY14V104NA protects data from corruption during low voltage conditions by inhibiting all externally initiated STORE and write operations. The low voltage condition is detected when  $V_{CC} < V_{SWITCH}$ . If the CY14V104LA/CY14V104NA is in a write mode (both CE and WE are LOW) at power-up, after a RECALL or STORE, the write is inhibited until the SRAM is enabled after  $t_{LZHSB}$  (HSB to output active). When  $V_{CCQ} < V_{IODIS}$ , I/Os are disabled (no STORE takes place). This protects against inadvertent writes during brown out conditions on  $V_{CCQ}$  supply.

#### Note

8. The six consecutive address locations must be in the order listed.  $\overline{WE}$  must be HIGH during all six cycles to enable a non-volatile cycle.



## Maximum Ratings

Exceeding maximum ratings may impair the useful life of the device. These user guidelines are not tested.

Storage temperature ..... -65 °C to +150 °C

Maximum accumulated storage time

At 150 °C ambient temperature ..... 1000 h

At 85 °C ambient temperature ..... 20 Years

Maximum junction temperature ..... 150 °C

Supply voltage on V<sub>CC</sub> relative to V<sub>SS</sub> ..... -0.5 V to 4.1 V

Supply voltage on V<sub>CCQ</sub> relative to V<sub>SS</sub> ..... -0.5 V to 2.45 V

Voltage applied to outputs

in High Z state ..... -0.5 V to V<sub>CCQ</sub> + 0.5 V

Input voltage ..... -0.5 V to V<sub>CCQ</sub> + 0.5 V

Transient voltage (< 20 ns) on

any pin to ground potential ..... -2.0 V to V<sub>CCQ</sub> + 2.0 V

Package power dissipation

capability (T<sub>A</sub> = 25 °C) ..... 1.0 W

Surface mount Pb soldering

temperature (3 seconds) ..... +260 °C

DC output current (1 output at a time, 1s duration) .... 15 mA

Static discharge voltage

(per MIL-STD-883, Method 3015) ..... > 2001 V

Latch up current..... > 140 mA

## Operating Range

Range	Ambient Temperature	V <sub>CC</sub>	V <sub>CCQ</sub>
Industrial	-40 °C to +85 °C	3.0 V – 3.6 V	1.65 V – 1.95 V

## DC Electrical Characteristics

Over the [Operating Range](#)

Parameter	Description	Test Conditions	Min	Typ <sup>[9]</sup>	Max	Unit
V <sub>CC</sub>	Power supply voltage	–	3.0	3.3	3.6	V
V <sub>CCQ</sub>			1.65	1.8	1.95	V
I <sub>CC1</sub>	Average V <sub>CC</sub> current	t <sub>RC</sub> = 25 ns t <sub>RC</sub> = 45 ns Values obtained without output loads	–	–	70	mA
I <sub>CCQ1</sub>	Average V <sub>CCQ</sub> current	(I <sub>OUT</sub> = 0 mA)	–	–	15	mA
			–	–	10	mA
I <sub>CC2</sub>	Average V <sub>CC</sub> current during STORE	All inputs don't care, V <sub>CC</sub> = Max Average current for duration t <sub>STORE</sub>	–	–	10	mA
I <sub>CC3</sub>	Average V <sub>CC</sub> current at t <sub>RC</sub> = 200 ns, V <sub>CC(TYP)</sub> , 25 °C	All inputs cycling at CMOS levels. Values obtained without output loads	–	35	–	mA
I <sub>CCQ3</sub>	Average V <sub>CCQ</sub> current at t <sub>RC</sub> = 200 ns, V <sub>CCQ(TYP)</sub> , 25 °C	(I <sub>OUT</sub> = 0 mA).	–	5	–	mA
I <sub>CC4</sub>	Average V <sub>CAP</sub> current during AutoStore cycle	All inputs don't care. Average current for duration t <sub>STORE</sub>	–	–	8	mA
I <sub>SB</sub>	V <sub>CC</sub> standby current	CE ≥ (V <sub>CC</sub> – 0.2 V). V <sub>IN</sub> ≤ 0.2 V or ≥ (V <sub>CC</sub> – 0.2 V). Standby current level after non-volatile cycle is complete. Inputs are static. f = 0 MHz.	–	–	8	mA
I <sub>IX</sub> <sup>[10]</sup>	Input leakage current (except HSB)	V <sub>CCQ</sub> = Max, V <sub>SS</sub> ≤ V <sub>IN</sub> ≤ V <sub>CCQ</sub>	–1	–	+1	μA
	Input leakage current (for HSB)	V <sub>CCQ</sub> = Max, V <sub>SS</sub> ≤ V <sub>IN</sub> ≤ V <sub>CCQ</sub>	–100	–	+1	μA
I <sub>OZ</sub>	Off-state output leakage current	V <sub>CCQ</sub> = Max, V <sub>SS</sub> ≤ V <sub>OUT</sub> ≤ V <sub>CCQ</sub> , CE or OE ≥ V <sub>IH</sub> or BHE/BLE ≥ V <sub>IH</sub> or WE ≤ V <sub>IL</sub>	–1	–	+1	μA
V <sub>CAP</sub> <sup>[11]</sup>	Storage capacitor	Between V <sub>CAP</sub> pin and V <sub>SS</sub>	61	68	180	μF
V <sub>VCAP</sub> <sup>[9, 12]</sup>	Maximum voltage driven on V <sub>CAP</sub> pin by the device	V <sub>CC</sub> = Max	–	–	V <sub>CC</sub>	V

### Notes

9. Typical values are at 25 °C, V<sub>CC</sub> = V<sub>CC(TYP)</sub> and V<sub>CCQ</sub> = V<sub>CCQ(TYP)</sub>. Not 100% tested.

10. The HSB pin has I<sub>OUT</sub> = -4 μA for V<sub>OH</sub> of 1.07 V when both active HIGH and LOW drivers are disabled. When they are enabled standard V<sub>OH</sub> and V<sub>OL</sub> are valid. This parameter is characterized but not tested.

11. Min V<sub>CAP</sub> value guarantees that there is a sufficient charge available to complete a successful AutoStore operation. Max V<sub>CAP</sub> value guarantees that the capacitor on V<sub>CAP</sub> is charged to a minimum voltage during a Power-Up RECALL cycle so that an immediate power-down cycle can complete a successful AutoStore. Therefore it is always recommended to use a capacitor within the specified min and max limits. Refer application note AN43593 for more details on V<sub>CAP</sub> options.

12. Maximum voltage on V<sub>CAP</sub> pin (V<sub>VCAP</sub>) is provided for guidance when choosing the V<sub>CAP</sub> capacitor. The voltage rating of the V<sub>CAP</sub> capacitor across the operating temperature range should be higher than the V<sub>VCAP</sub> voltage.

## DC Electrical Characteristics (continued)

Over the [Operating Range](#)

Parameter	Description	Test Conditions	Min	Typ <sup>[9]</sup>	Max	Unit
V <sub>IH</sub>	Input HIGH voltage	–	0.7 × V <sub>CCQ</sub>	–	V <sub>CCQ</sub> + 0.3	V
V <sub>IL</sub>	Input LOW voltage	–	– 0.3	–	0.3 × V <sub>CCQ</sub>	V
V <sub>OH</sub>	Output HIGH voltage	I <sub>OUT</sub> = –1 mA	V <sub>CCQ</sub> – 0.45	–	–	V
V <sub>OL</sub>	Output LOW voltage	I <sub>OUT</sub> = 2 mA		–	0.45	V

## Data Retention and Endurance

Over the [Operating Range](#)

Parameter	Description	Min	Unit
DATA <sub>R</sub>	Data retention	20	Years
NV <sub>C</sub>	Non-volatile STORE operation	1,000	K

## Capacitance

Parameter <sup>[13]</sup>	Description	Test Conditions	Max	Unit
C <sub>IN</sub>	Input capacitance (except BLE, BHE and HSB)	T <sub>A</sub> = 25 °C, f = 1 MHz, V <sub>CC</sub> = V <sub>CC</sub> (Typ), V <sub>CCQ</sub> = V <sub>CCQ</sub> (Typ)	7	pF
	Input capacitance (for BLE, BHE and HSB)		8	pF
C <sub>OUT</sub>	Output capacitance (except HSB)		7	pF
	Output capacitance (for HSB)		8	pF

## Thermal Resistance

In the following table, the thermal resistance parameters are listed.

Parameter <sup>[13]</sup>	Description	Test Conditions	48-ball FBGA	Unit
θ <sub>JA</sub>	Thermal resistance (junction to ambient)	Test conditions follow standard test methods and procedures for measuring thermal impedance, in accordance with EIA/JESD51.	46.09	°C/W
θ <sub>JC</sub>	Thermal resistance (junction to case)		7.84	°C/W

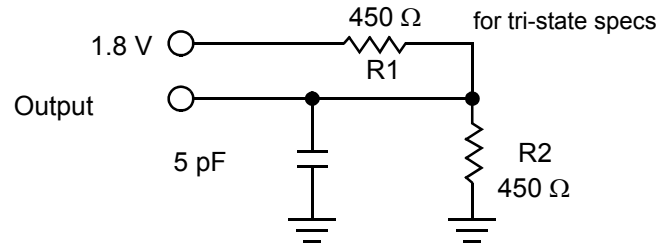
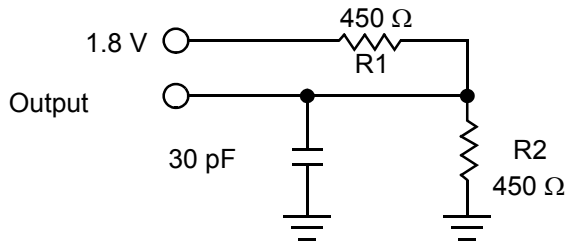
### Note

13. These parameters are guaranteed by design but not tested.



## AC Test Loads

Figure 3. AC Test Loads



## AC Test Conditions

Input pulse levels ..... 0 V to 1.8 V

Input rise and fall times (10%–90%) .....  $\leq 1.8$  ns

Input and output timing reference levels ..... 0.9 V

## AC Switching Characteristics

Over the [Operating Range](#)

Parameters <sup>[14]</sup>		Description	25 ns		45 ns		Unit
Cypress Parameter	Alt Parameter		Min	Max	Min	Max	
<b>SRAM Read Cycle</b>							
t <sub>ACE</sub>	t <sub>ACS</sub>	Chip enable access time	–	25	–	45	ns
t <sub>RC</sub> <sup>[15]</sup>	t <sub>RC</sub>	Read cycle time	25	–	45	–	ns
t <sub>AA</sub> <sup>[16]</sup>	t <sub>AA</sub>	Address access time	–	25	–	45	ns
t <sub>DOE</sub>	t <sub>OE</sub>	Output enable to data valid	–	12	–	20	ns
t <sub>OHA</sub> <sup>[16]</sup>	t <sub>OH</sub>	Output hold after address change	3	–	3	–	ns
t <sub>LZCE</sub> <sup>[17, 18]</sup>	t <sub>LZ</sub>	Chip enable to output active	3	–	3	–	ns
t <sub>HZCE</sub> <sup>[17, 18]</sup>	t <sub>HZ</sub>	Chip disable to output inactive	–	10	–	15	ns
t <sub>LZOE</sub> <sup>[17, 18]</sup>	t <sub>OLZ</sub>	Output enable to output active	0	–	0	–	ns
t <sub>HZOE</sub> <sup>[17, 18]</sup>	t <sub>OHZ</sub>	Output disable to output inactive	–	10	–	15	ns
t <sub>PU</sub> <sup>[17]</sup>	t <sub>PA</sub>	Chip enable to power active	0	–	0	–	ns
t <sub>PD</sub> <sup>[17]</sup>	t <sub>PS</sub>	Chip disable to power standby	–	25	–	45	ns
t <sub>DBE</sub>	–	Byte enable to data valid	–	12	–	20	ns
t <sub>LZBE</sub> <sup>[17]</sup>	–	Byte enable to output active	0	–	0	–	ns
t <sub>HZBE</sub> <sup>[17]</sup>	–	Byte disable to output inactive	–	10	–	15	ns
<b>SRAM Write Cycle</b>							
t <sub>WC</sub>	t <sub>WC</sub>	Write cycle time	25	–	45	–	ns
t <sub>PWE</sub>	t <sub>WP</sub>	Write pulse width	20	–	30	–	ns
t <sub>SCE</sub>	t <sub>CW</sub>	Chip enable to end of write	20	–	30	–	ns
t <sub>SD</sub>	t <sub>DW</sub>	Data setup to end of write	10	–	15	–	ns
t <sub>HD</sub>	t <sub>DH</sub>	Data hold after end of write	0	–	0	–	ns
t <sub>AW</sub>	t <sub>AW</sub>	Address setup to end of write	20	–	30	–	ns
t <sub>SA</sub>	t <sub>AS</sub>	Address setup to start of write	0	–	0	–	ns
t <sub>HA</sub>	t <sub>WR</sub>	Address hold after end of write	0	–	0	–	ns
t <sub>HZWE</sub> <sup>[17, 18, 19]</sup>	t <sub>WZ</sub>	Write enable to output disable	–	10	–	15	ns
t <sub>LZWE</sub> <sup>[17, 18]</sup>	t <sub>OW</sub>	Output active after end of write	3	–	3	–	ns
t <sub>BW</sub>	–	Byte enable to end of write	20	–	30	–	ns

### Notes

14. Test conditions assume signal transition time of 1.8 ns or less, timing reference levels of V<sub>CCQ</sub>/2, input pulse levels of 0 to V<sub>CCQ</sub>(typ), and output loading of the specified I<sub>O1</sub>/I<sub>OH</sub> and load capacitance shown in [Figure 3 on page 9](#).
15. WE must be HIGH during SRAM read cycles.
16. Device is continuously selected with CE, OE and BHE / BLE LOW.
17. These parameters are guaranteed by design but not tested.
18. Measured ±200 mV from steady state output voltage.
19. If WE is LOW when CE goes LOW, the outputs remain in the high impedance state.
20. HSB must remain HIGH during read and write cycles.

## Switching Waveforms

Figure 4. SRAM Read Cycle #1 (Address Controlled) [21, 22, 23]

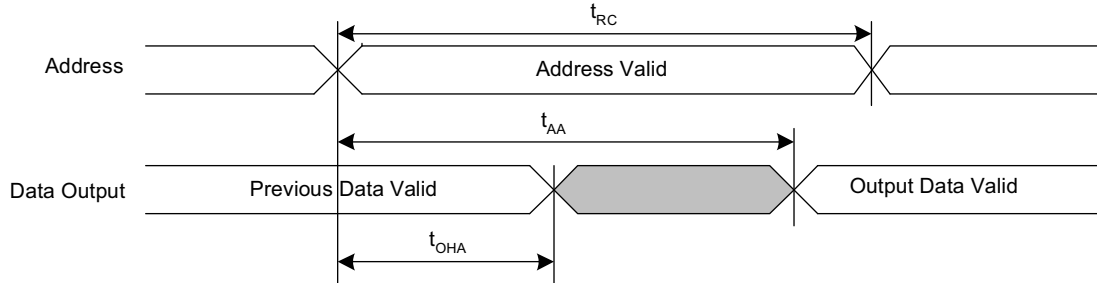
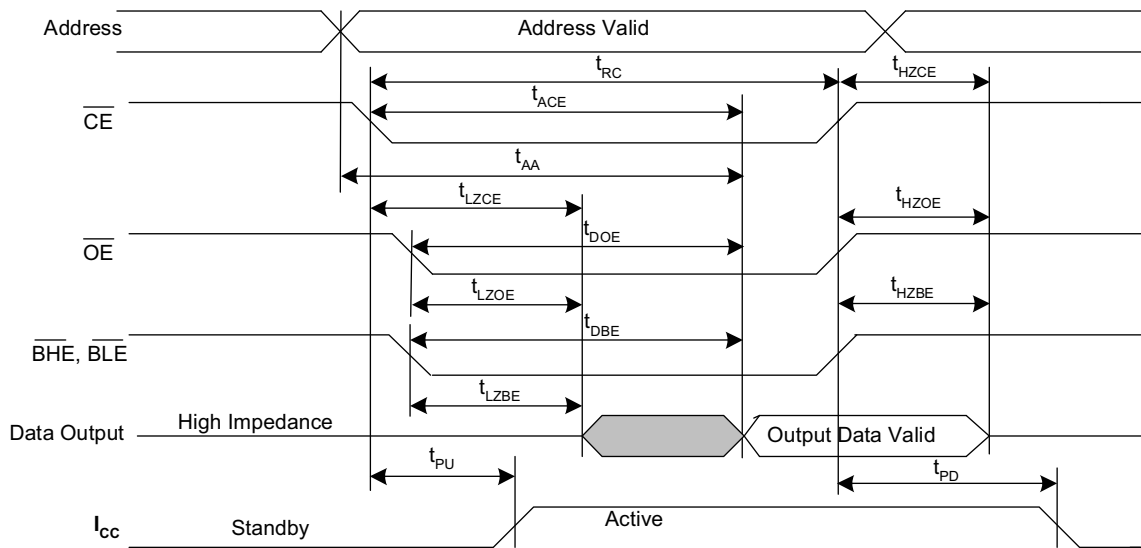


Figure 5. SRAM Read Cycle #2 ( $\overline{CE}$  and  $\overline{OE}$  Controlled) [21, 23, 24]



### Notes

21. WE must be HIGH during SRAM read cycles.
22. Device is continuously selected with  $\overline{CE}$ ,  $\overline{OE}$  and  $\overline{BHE}$  /  $\overline{BLE}$  LOW.
23. HSB must remain HIGH during read and write cycles.
24. Typical values are at 25 °C,  $V_{CC} = V_{CC(Typ)}$  and  $V_{CCQ} = V_{CCQ(Typ)}$ . Not 100% tested.

Switching Waveforms (continued)

Figure 6. SRAM Write Cycle #1 ( $\overline{WE}$  Controlled) [25, 26, 27, 28]

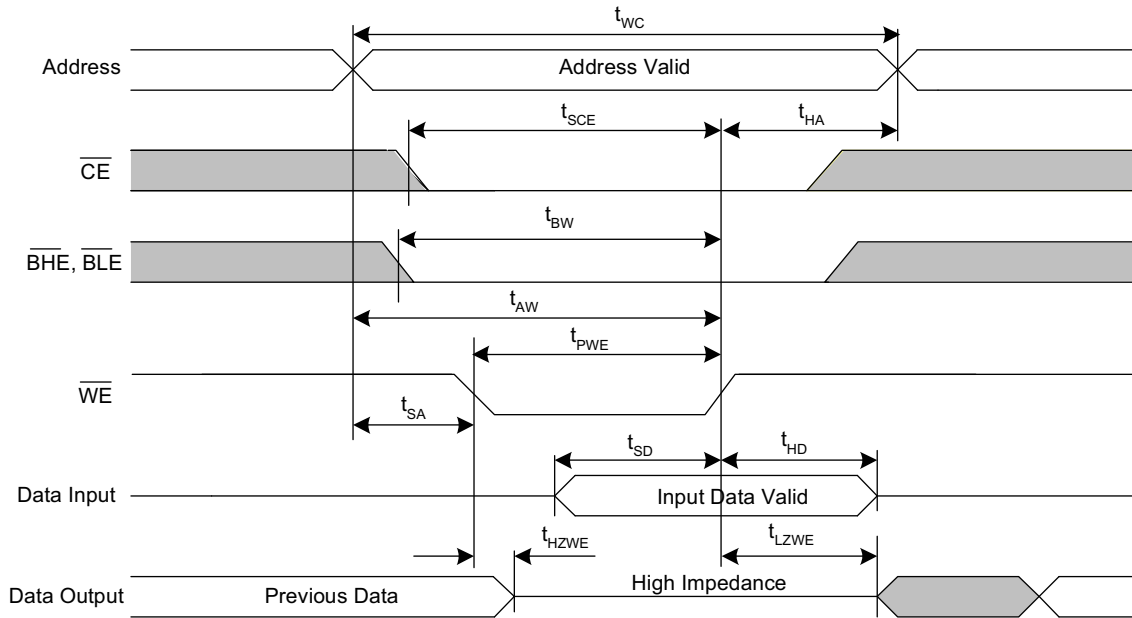
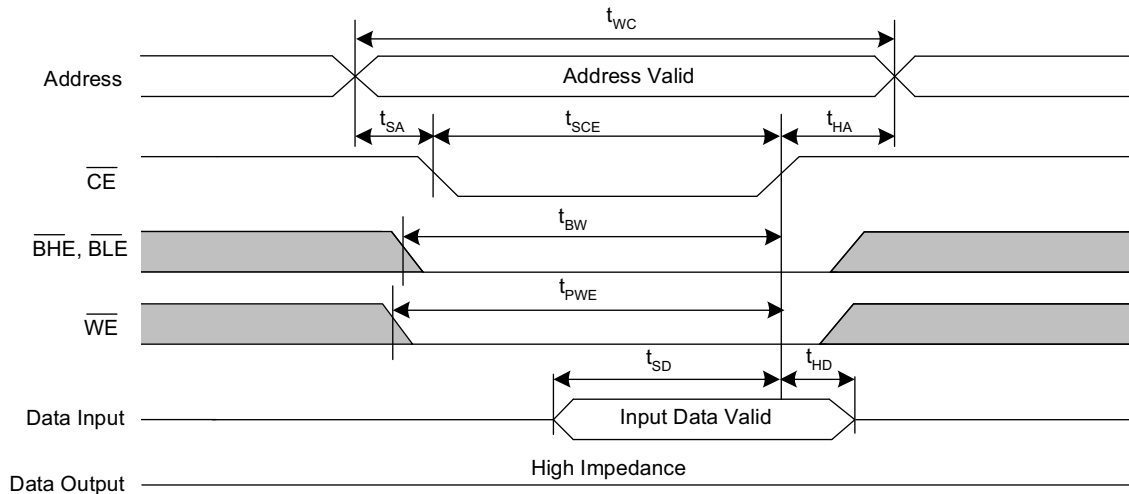


Figure 7. SRAM Write Cycle #2 ( $\overline{CE}$  Controlled) [25, 26, 27, 28]

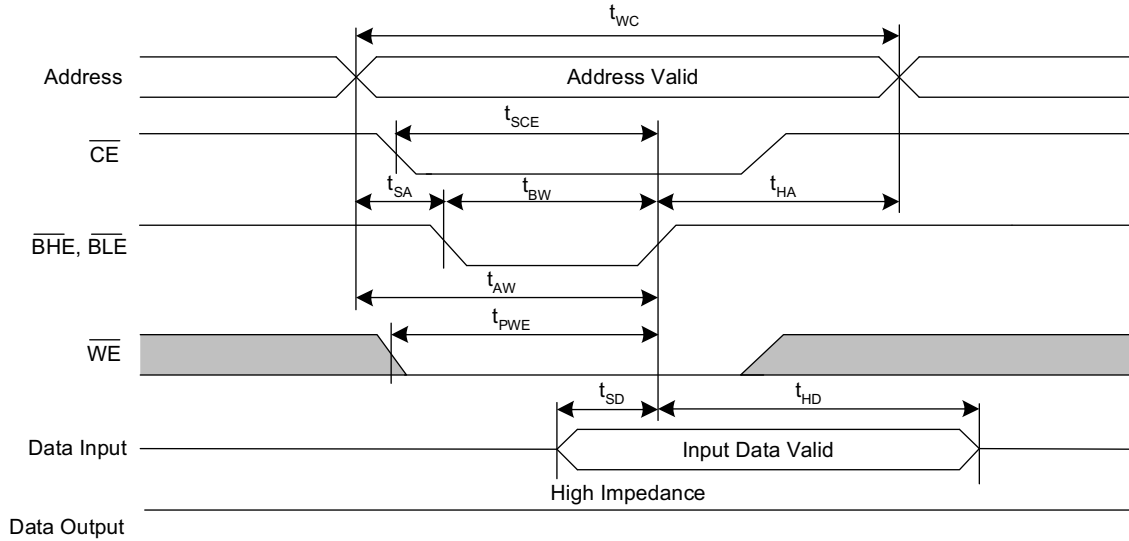


Notes

- 25.  $\overline{HSB}$  must remain HIGH during read and write cycles.
- 26.  $\overline{BHE}$  and  $\overline{BLE}$  are applicable for x16 configuration only.
- 27. If  $\overline{WE}$  is LOW when  $\overline{CE}$  goes LOW, the outputs remain in the high impedance state.
- 28.  $\overline{CE}$  or  $\overline{WE}$  must be  $\geq V_{IH}$  during address transitions.

Switching Waveforms (continued)

Figure 8. SRAM Write Cycle #3 (BHE and BLE Controlled) [29, 30, 31, 32]



Notes

- 29.  $\overline{HSB}$  must remain HIGH during read and write cycles.
- 30. BHE and BLE are applicable for  $\times 16$  configuration only.
- 31. If  $\overline{WE}$  is LOW when CE goes LOW, the outputs remain in the high impedance state.
- 32. CE or WE must be  $\geq V_{IH}$  during address transitions.

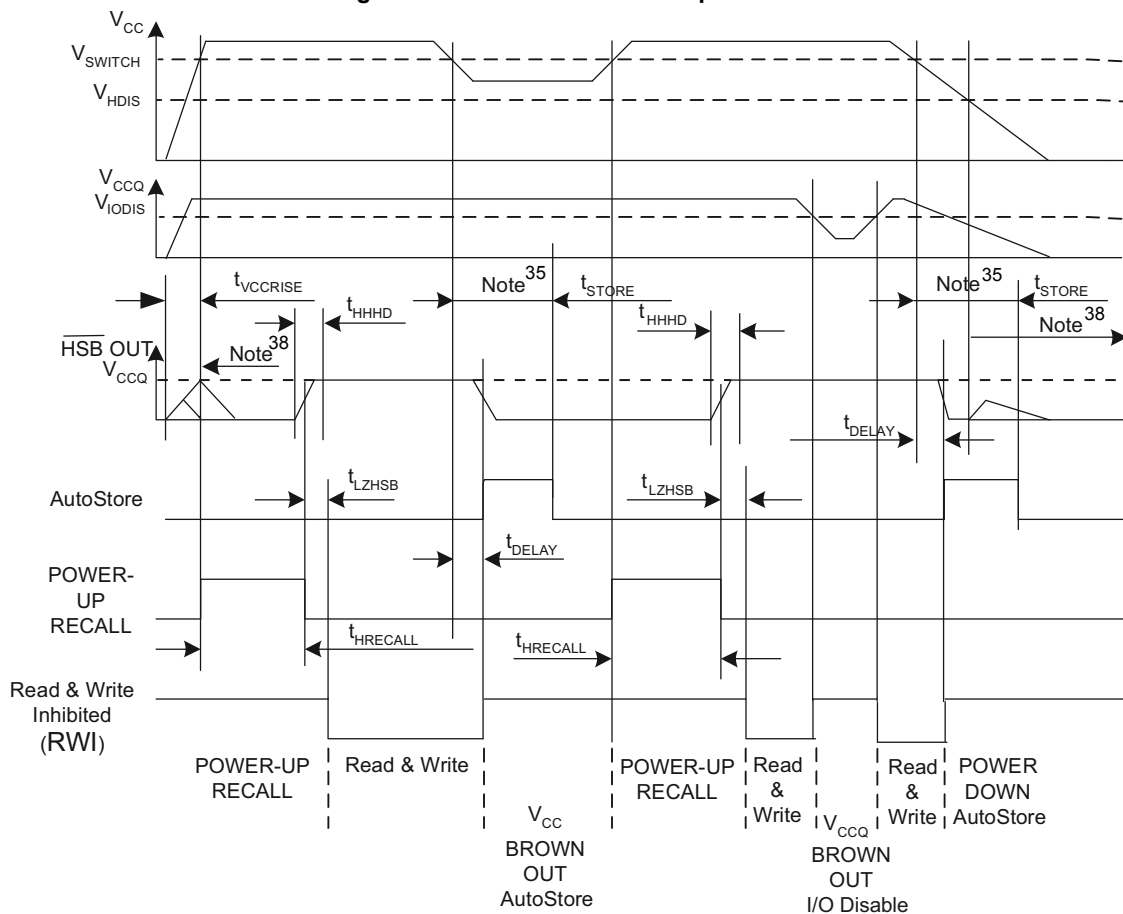
## AutoStore/Power-Up RECALL

Over the [Operating Range](#)

Parameter	Description	CY14V104LA/CY14V104NA		Unit
		Min	Max	
$t_{HRECALL}^{[33]}$	Power-Up RECALL duration	–	20	ms
$t_{STORE}^{[34]}$	STORE cycle duration	–	8	ms
$t_{DELAY}^{[35]}$	Time allowed to complete SRAM write cycle	–	25	ns
$V_{SWITCH}$	Low voltage trigger level for $V_{CC}$	–	2.90	V
$V_{IODIS}^{[36]}$	I/O disable voltage on $V_{CCQ}$	–	1.50	V
$t_{VCCRRISE}^{[39]}$	$V_{CC}$ rise time	150	–	$\mu$ s
$V_{HDIS}^{[39]}$	HSB output disable voltage on $V_{CC}$	–	1.9	V
$t_{LZHSB}^{[39]}$	HSB to output active time	–	5	$\mu$ s
$t_{HHHD}^{[39]}$	HSB high active time	–	500	ns

## Switching Waveforms

Figure 9. AutoStore or Power-Up RECALL <sup>[37]</sup>



### Notes

33.  $t_{HRECALL}$  starts from the time  $V_{CC}$  rises above  $V_{SWITCH}$ .
34. If an SRAM write has not taken place since the last non-volatile cycle, no AutoStore or Hardware Store takes place.
35. On a Hardware Store and AutoStore initiation, SRAM write operation continues to be enabled for time  $t_{DELAY}$ .
36. HSB will not be defined below  $V_{IODIS}$  voltage.
37. Read and write cycles are ignored during STORE, RECALL, and while  $V_{CC}$  is below  $V_{SWITCH}$ .
38. During power-up and power-down, HSB glitches when HSB pin is pulled up through an external resistor.
39. These parameters are guaranteed by design but not tested.



## Software Controlled STORE/RECALL Cycle

Over the [Operating Range](#)

Parameters [40, 41]	Description	25 ns		45 ns		Unit
		Min	Max	Min	Max	
$t_{RC}$	STORE/RECALL initiation cycle time	25	–	45	–	ns
$t_{SA}$	Address setup time	0	–	0	–	ns
$t_{CW}$	Clock pulse width	20	–	30	–	ns
$t_{HA}$	Address hold time	0	–	0	–	ns
$t_{RECALL}$	RECALL duration	–	200	–	200	$\mu$ s

## Switching Waveforms

Figure 10.  $\overline{CE}$  and  $\overline{OE}$  Controlled Software STORE/RECALL Cycle [41]

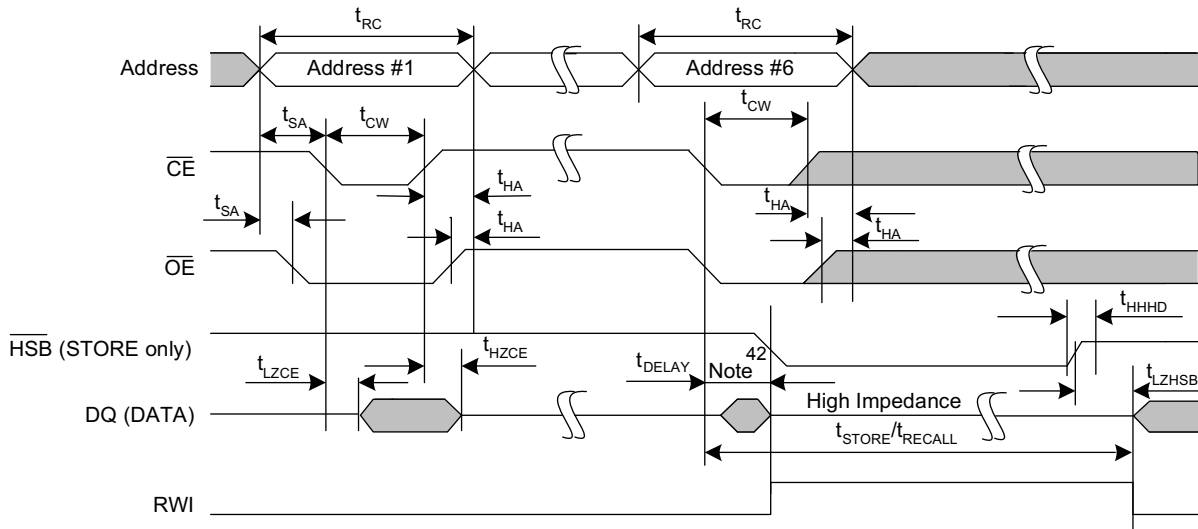
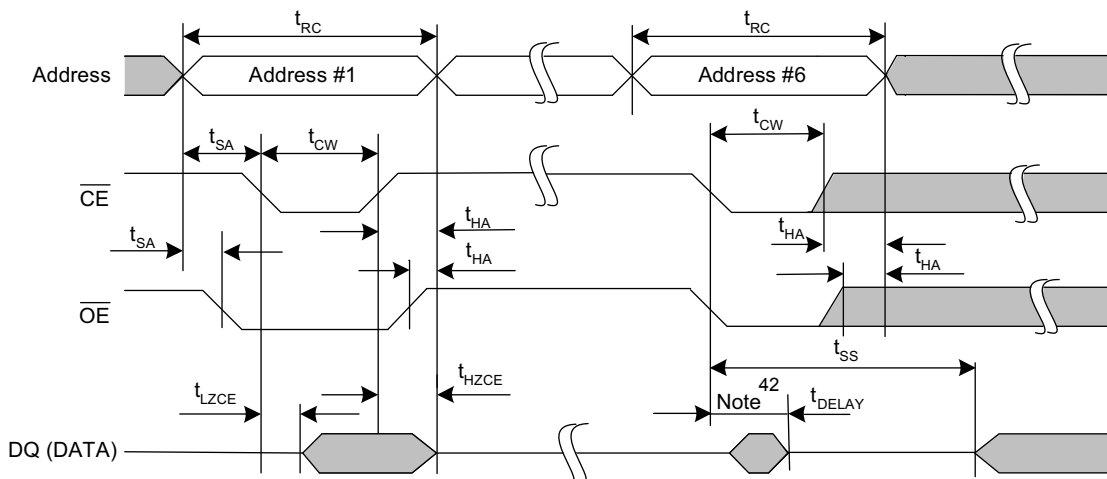


Figure 11. AutoStore Enable/Disable Cycle



### Notes

40. The software sequence is clocked with  $\overline{CE}$  controlled or  $\overline{OE}$  controlled reads.

41. The six consecutive addresses must be read in the order listed in [Table 1 on page 5](#).  $\overline{WE}$  must be HIGH during all six consecutive cycles.

42. DQ output data at the sixth read may be invalid since the output is disabled at  $t_{DELAY}$  time.

## Hardware STORE Cycle

Over the [Operating Range](#)

Parameters	Description	CY14V104LA/CY14V104NA		Unit
		Min	Max	
$t_{DHSB}$	HSB to output active time when write latch not set	–	25	ns
$t_{PHSB}$	Hardware STORE pulse width	15	–	ns
$t_{SS}^{[43, 44]}$	Soft sequence processing time	–	100	$\mu$ s

## Switching Waveforms

Figure 12. Hardware STORE Cycle <sup>[45]</sup>

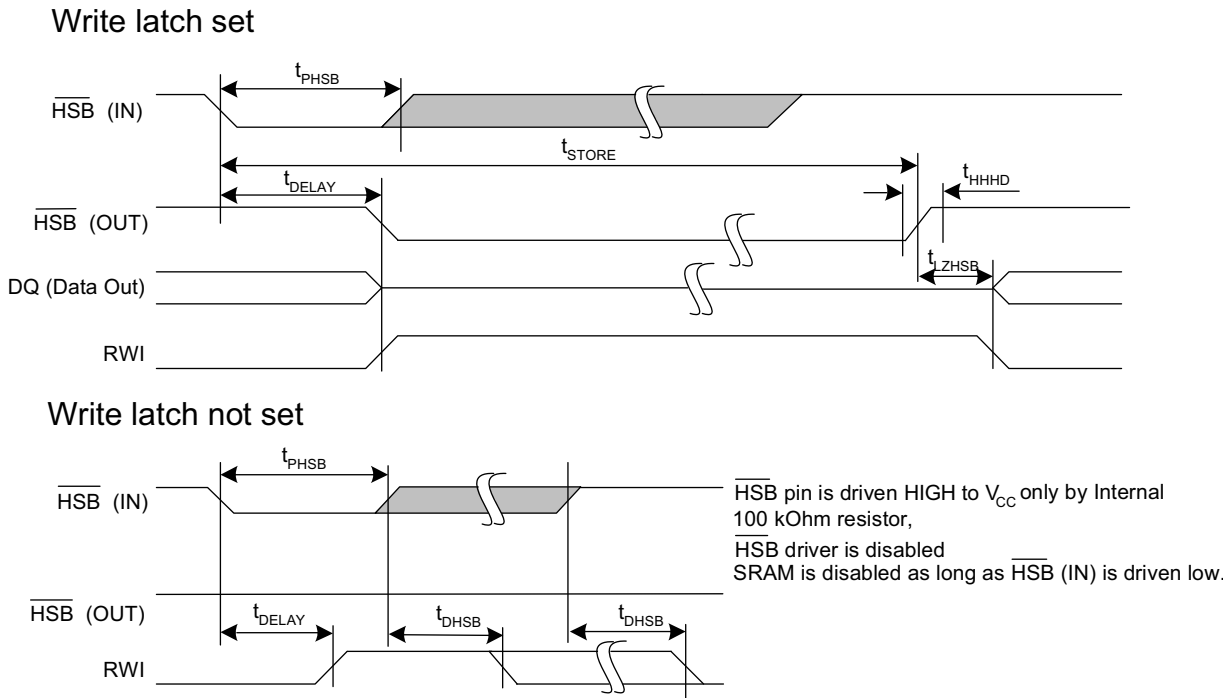
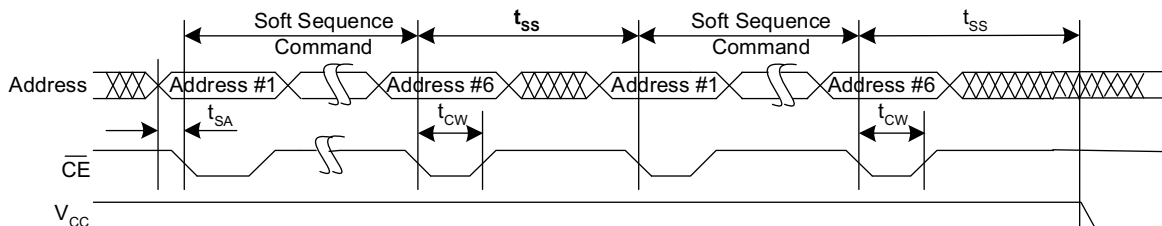


Figure 13. Soft Sequence Processing <sup>[43, 44]</sup>



### Notes

43. This is the amount of time it takes to take action on a soft sequence command.  $V_{CC}$  power must remain HIGH to effectively register command.
44. Commands such as STORE and RECALL lock out I/O until operation is complete which further increases this time. See the specific command.
45. If an SRAM write has not taken place since the last non-volatile cycle, no AutoStore or Hardware Store takes place.

## Truth Table For SRAM Operations

$\overline{\text{HSB}}$  should remain HIGH for SRAM Operations.

**Table 2. Truth Table for × 8 Configuration**

CE	WE	OE	Inputs/Outputs <sup>[46]</sup>	Mode	Power
H	X	X	High Z	Deselect/Power-down	Standby
L	H	L	Data out (DQ <sub>0</sub> –DQ <sub>7</sub> )	Read	Active
L	H	H	High Z	Output disabled	Active
L	L	X	Data in (DQ <sub>0</sub> –DQ <sub>7</sub> )	Write	Active

**Table 3. Truth Table for × 16 Configuration**

CE	WE	OE	BHE <sup>[47]</sup>	BLE <sup>[47]</sup>	Inputs/Outputs <sup>[46]</sup>	Mode	Power
H	X	X	X	X	High Z	Deselect/Power-down	Standby
L	X	X	H	H	High Z	Output disabled	Active
L	H	L	L	L	Data out (DQ <sub>0</sub> –DQ <sub>15</sub> )	Read	Active
L	H	L	H	L	Data out (DQ <sub>0</sub> –DQ <sub>7</sub> ); DQ <sub>8</sub> –DQ <sub>15</sub> in High Z	Read	Active
L	H	L	L	H	Data out (DQ <sub>8</sub> –DQ <sub>15</sub> ); DQ <sub>0</sub> –DQ <sub>7</sub> in High Z	Read	Active
L	H	H	L	L	High Z	Output disabled	Active
L	H	H	H	L	High Z	Output disabled	Active
L	H	H	L	H	High Z	Output disabled	Active
L	L	X	L	L	Data in (DQ <sub>0</sub> –DQ <sub>15</sub> )	Write	Active
L	L	X	H	L	Data in (DQ <sub>0</sub> –DQ <sub>7</sub> ); DQ <sub>8</sub> –DQ <sub>15</sub> in High Z	Write	Active
L	L	X	L	H	Data in (DQ <sub>8</sub> –DQ <sub>15</sub> ); DQ <sub>0</sub> –DQ <sub>7</sub> in High Z	Write	Active

**Notes**

46. Data DQ<sub>0</sub>–DQ<sub>7</sub> for × 8 configuration and Data DQ<sub>0</sub>–DQ<sub>15</sub> for × 16 configuration.

47. BHE and BLE are applicable for × 16 configuration only.

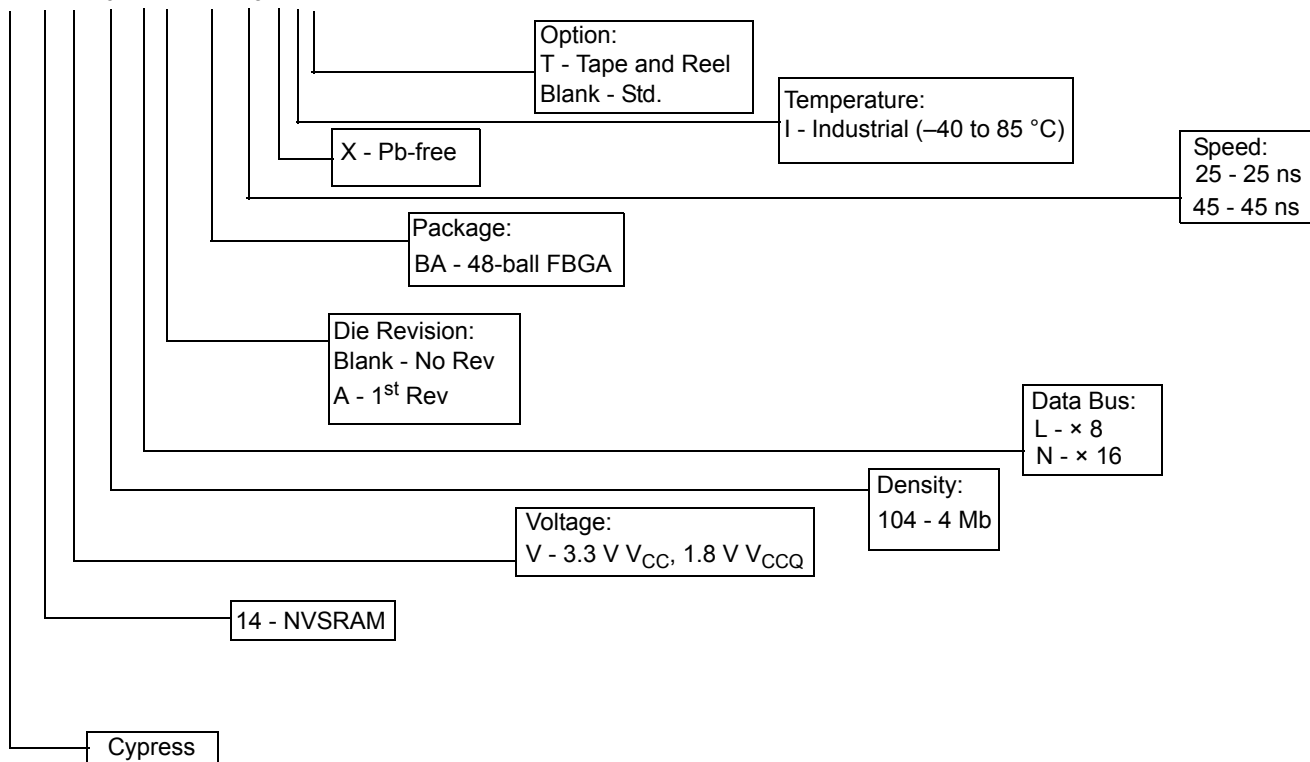
### Ordering Information

Speed (ns)	Ordering Code	Package Diagram	Package Type	Operating Range
25	CY14V104LA-BA25XIT	51-85128	48-ball FBGA	Industrial
	CY14V104LA-BA25XI			
	CY14V104NA-BA25XIT			
	CY14V104NA-BA25XI			
45	CY14V104LA-BA45XIT			
	CY14V104LA-BA45XI			
	CY14V104NA-BA45XIT			
	CY14V104NA-BA45XI			

Contact your local Cypress sales representative for availability of these parts.

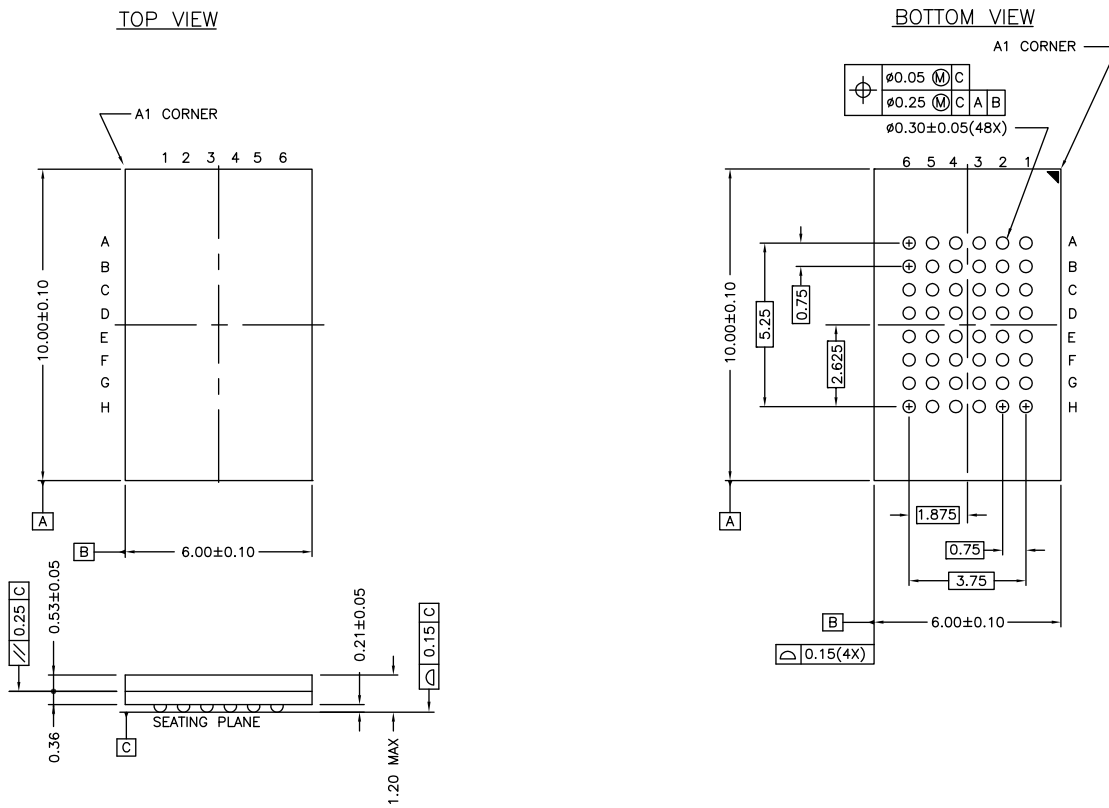
### Ordering Code Definitions

**CY 14 V 104 L A - BA 25 X I T**



Package Diagrams

Figure 14. 48-ball FBGA (6 × 10 × 1.2 mm) BA48B, 51-85128



51-85128 \*F

## Acronyms

Acronym	Description
BHE	Byte High Enable
BLE	Byte Low Enable
CE	Chip Enable
CMOS	Complementary Metal Oxide Semiconductor
EIA	Electronic Industries Alliance
FBGA	Fine-Pitch Ball Grid Array
HSB	Hardware Store Busy
I/O	Input/Output
nvSRAM	non-volatile Static Random Access Memory
OE	Output Enable
RoHS	Restriction of Hazardous Substances
SRAM	Static Random Access Memory
WE	Write Enable

## Document Conventions

### Units of Measure

Symbol	Unit of Measure
°C	degree Celsius
kΩ	kilo ohms
MHz	Mega Hertz
μA	micro Amperes
mA	milli Amperes
μF	micro Farads
μs	micro seconds
ms	milli seconds
ns	nano seconds
Ω	ohms
%	percent
pF	pico Farads
V	Volts
W	Watts



## Document History Page

Document Title: CY14V104LA/CY14V104NA, 4-Mbit (512 K × 8 / 256 K × 16) nvSRAM				
Document Number: 001-53954				
Rev.	ECN No.	Orig. of Change	Submission Date	Description of Change
**	2729117	GVCH / AESA	07/02/2009	New data sheet.
*A	2826127	GVCH / AESA	12/11/2009	Removed commercial temperature related specs Changed part number from CY14A104L/CY14A104N to CY14V104LA/CY14V104NA Removed 20 ns Access speed specs Removed 44/54 TSOP II package related information Updated STORE cycles to QuantumTrap from 200K to 1 million Figure 3: Updated Autostore Mode Page 4: Updated Hardware STORE (HSB) Operation description Page 5: Updated Software STORE Operation description Maximum Ratings: Supply Voltage on V <sub>CCQ</sub> Relative to GND from -0.5V to 2.5V to -0.5V to 2.45V Added I <sub>CCQ1</sub> and I <sub>CCQ3</sub> for V <sub>CCQ</sub> operation Updated I <sub>CC4</sub> test condition Updated footnote 8 Updated V <sub>IH</sub> /V <sub>IL</sub> as 70%/30% of V <sub>CCQ</sub> Updated V <sub>OH</sub> test condition. Updated Input Rise and Fall Times (10% - 90%) from 3ns to 1.8 ns Updated footnote 19, 22 and added footnote 20, 25 Updated V <sub>IODIS</sub> parameter value from 1.6V to 1.5V Updated Figure 10, 11 and 12
*B	2858300	GVCH	01/19/2010	Changed latch up current from 200 mA to 140 mA. Changed status from Advance to Preliminary. Added Contents.
*C	2951754	GVCH / AESA	06/14/2010	<b>Pin Definitions:</b> Added more clarity on HSB pin operation <b>Hardware STORE Operation:</b> Added more clarity on HSB pin operation <b>Table 1:</b> Added more clarity on status of BHE/BLE pin operation Updated HSB pin operation in <a href="#">Figure 9</a> Updated footnote 22
*D	3115647	GVCH	12/20/2010	Change datasheet status from "Preliminary" to "Final" 48 FBGA package: 16 Mb address expansion is not supported Changed I <sub>SB</sub> and I <sub>CC4</sub> value from 5 mA to 8 mA Changed I <sub>CCQ1</sub> value from 25 mA to 15 mA for 25 ns access speed and 15 mA to 10 mA for 45 ns access speed. Added <a href="#">Acronyms</a> and <a href="#">Units of Measure</a> table
*E	3150253	GVCH	01/21/11	Updated input capacitance for BHE and BLE pin
*F	3303659	GVCH	07/06/2011	Updated <a href="#">DC Electrical Characteristics</a> (Added Note 11 and referred the same note in V <sub>CAP</sub> parameter). Updated <a href="#">AC Switching Characteristics</a> (Added Note 14 and referred the same note in Parameters). Updated <a href="#">Thermal Resistance</a> (Values of Θ <sub>JA</sub> for 48-ball FBGA package). Updated <a href="#">Package Diagrams</a> .

**Document History Page** (continued)

Document Title: CY14V104LA/CY14V104NA, 4-Mbit (512 K × 8 / 256 K × 16) nvSRAM				
Document Number: 001-53954				
Rev.	ECN No.	Orig. of Change	Submission Date	Description of Change
*G	4075544	GVCH	07/24/2013	<p>Updated <a href="#">Pin Definitions</a>:</p> <p>Updated description of HSB pin (Added more clarity).</p> <p>Updated <a href="#">Device Operation</a>:</p> <p>Updated <a href="#">AutoStore Operation</a> (Removed sentence “The <math>\overline{\text{HSB}}</math> signal is monitored by the system to detect if an AutoStore cycle is in progress.”).</p> <p>Removed Best Practices.</p> <p>Updated <a href="#">Maximum Ratings</a>:</p> <p>Removed “Ambient temperature with power applied” and included “Maximum junction temperature”.</p> <p>Updated <a href="#">DC Electrical Characteristics</a>:</p> <p>Added <math>V_{\text{VCAP}}</math> parameter and its details.</p> <p>Referred Note 9 in <math>V_{\text{VCAP}}</math> parameter, added Note 12 and referred the same note in <math>V_{\text{VCAP}}</math> parameter.</p> <p>Updated in new template.</p> <p>Completing Sunset Review.</p>
*H	4557366	GVCH	11/05/2014	Added related documentation hyperlink in page 1

## Sales, Solutions, and Legal Information

### Worldwide Sales and Design Support

Cypress maintains a worldwide network of offices, solution centers, manufacturer's representatives, and distributors. To find the office closest to you, visit us at [Cypress Locations](#).

#### Products

<a href="#">Automotive</a>	<a href="#">cypress.com/go/automotive</a>
<a href="#">Clocks &amp; Buffers</a>	<a href="#">cypress.com/go/clocks</a>
<a href="#">Interface</a>	<a href="#">cypress.com/go/interface</a>
<a href="#">Lighting &amp; Power Control</a>	<a href="#">cypress.com/go/powerpsoc</a> <a href="#">cypress.com/go/plc</a>
<a href="#">Memory</a>	<a href="#">cypress.com/go/memory</a>
<a href="#">PSoC</a>	<a href="#">cypress.com/go/psoc</a>
<a href="#">Touch Sensing</a>	<a href="#">cypress.com/go/touch</a>
<a href="#">USB Controllers</a>	<a href="#">cypress.com/go/USB</a>
<a href="#">Wireless/RF</a>	<a href="#">cypress.com/go/wireless</a>

#### PSoC<sup>®</sup> Solutions

[psoc.cypress.com/solutions](#)  
[PSoC 1](#) | [PSoC 3](#) | [PSoC 4](#) | [PSoC 5LP](#)

#### Cypress Developer Community

[Community](#) | [Forums](#) | [Blogs](#) | [Video](#) | [Training](#)

#### Technical Support

[cypress.com/go/support](#)

---

© Cypress Semiconductor Corporation, 2009-2014. The information contained herein is subject to change without notice. Cypress Semiconductor Corporation assumes no responsibility for the use of any circuitry other than circuitry embodied in a Cypress product. Nor does it convey or imply any license under patent or other rights. Cypress products are not warranted nor intended to be used for medical, life support, life saving, critical control or safety applications, unless pursuant to an express written agreement with Cypress. Furthermore, Cypress does not authorize its products for use as critical components in life-support systems where a malfunction or failure may reasonably be expected to result in significant injury to the user. The inclusion of Cypress products in life-support systems application implies that the manufacturer assumes all risk of such use and in doing so indemnifies Cypress against all charges.

Any Source Code (software and/or firmware) is owned by Cypress Semiconductor Corporation (Cypress) and is protected by and subject to worldwide patent protection (United States and foreign), United States copyright laws and international treaty provisions. Cypress hereby grants to licensee a personal, non-exclusive, non-transferable license to copy, use, modify, create derivative works of, and compile the Cypress Source Code and derivative works for the sole purpose of creating custom software and or firmware in support of licensee product to be used only in conjunction with a Cypress integrated circuit as specified in the applicable agreement. Any reproduction, modification, translation, compilation, or representation of this Source Code except as specified above is prohibited without the express written permission of Cypress.

Disclaimer: CYPRESS MAKES NO WARRANTY OF ANY KIND, EXPRESS OR IMPLIED, WITH REGARD TO THIS MATERIAL, INCLUDING, BUT NOT LIMITED TO, THE IMPLIED WARRANTIES OF MERCHANTABILITY AND FITNESS FOR A PARTICULAR PURPOSE. Cypress reserves the right to make changes without further notice to the materials described herein. Cypress does not assume any liability arising out of the application or use of any product or circuit described herein. Cypress does not authorize its products for use as critical components in life-support systems where a malfunction or failure may reasonably be expected to result in significant injury to the user. The inclusion of Cypress' product in a life-support systems application implies that the manufacturer assumes all risk of such use and in doing so indemnifies Cypress against all charges.

Use may be limited by and subject to the applicable Cypress software license agreement.