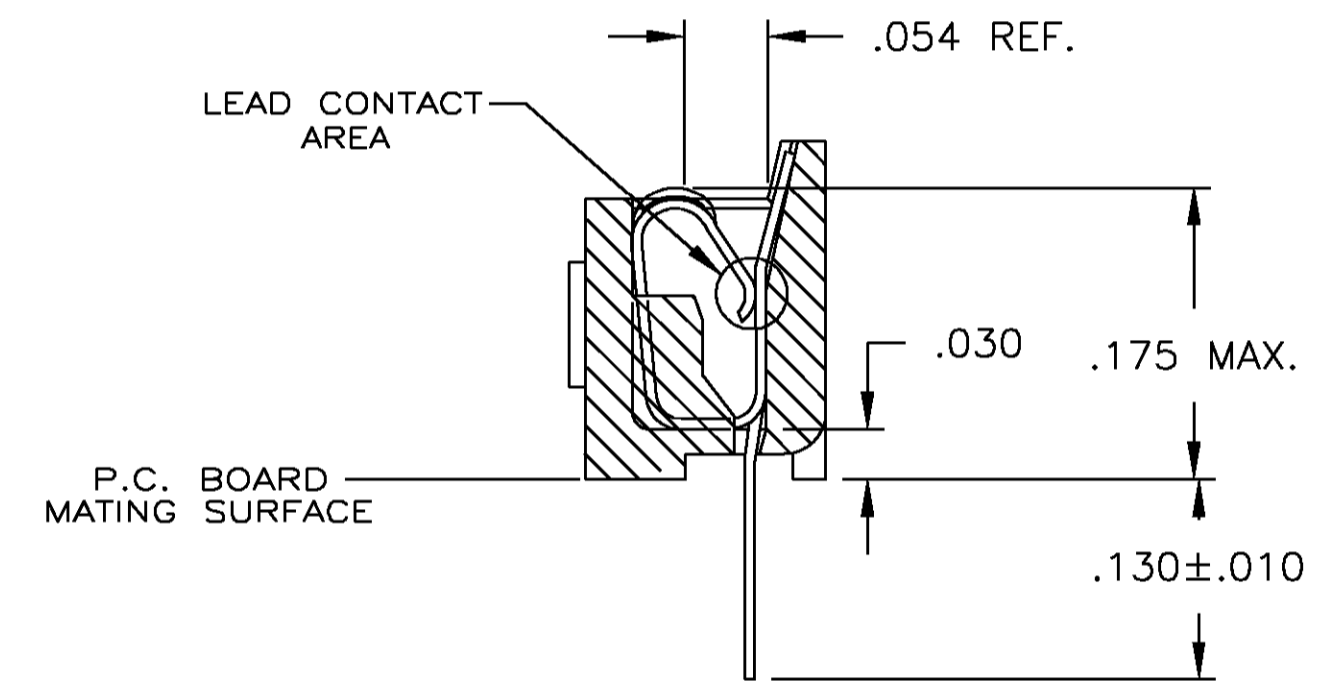
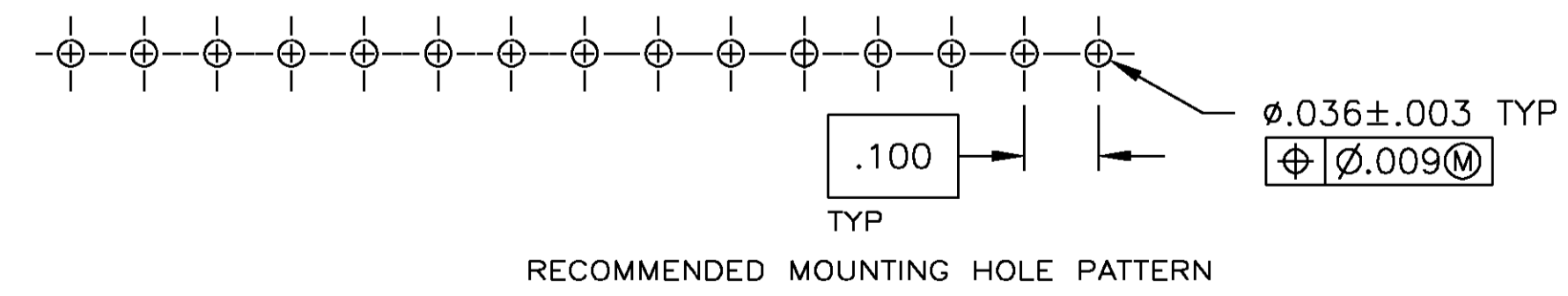
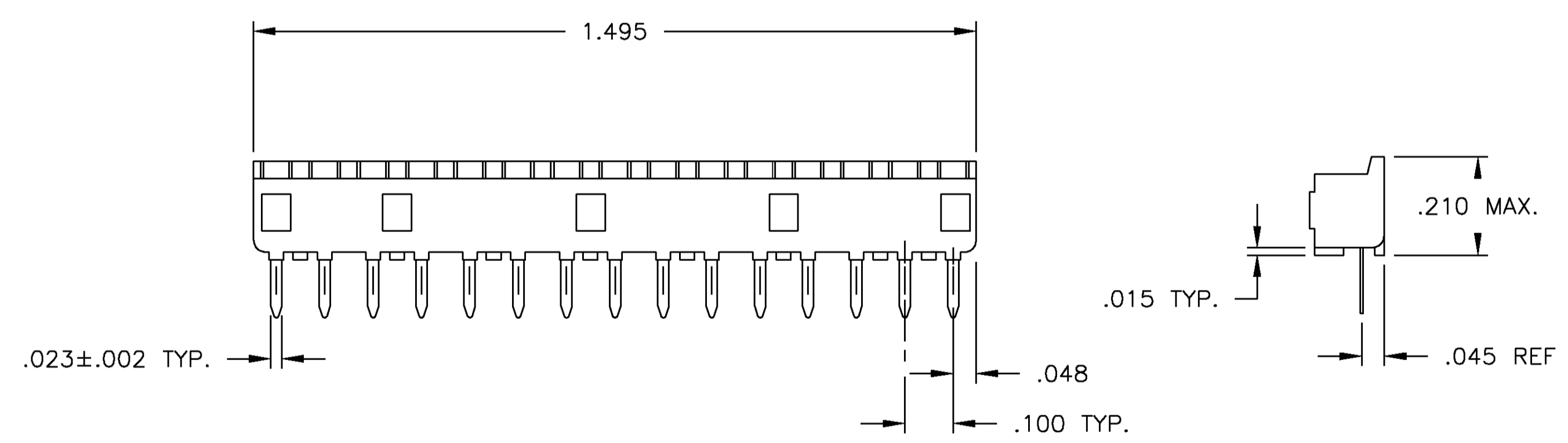


SECTION A-A
ROTATED 90° CW
SCALE 10:1
FOR -6, -7 & -8 ONLY

- 1. RECEPTACLE ACCEPTS AN .008-.014 THK. I.C. LEAD.
- 2. TWO .000030 MIN.THK.GOLD STRIPES IN CONTACT AREA, TIN-LEAD(93-7) ON CONTACT LEGS, BALANCE OF CONTACT NICKEL PLATED.
- 3. TWO .000015 MIN.THK.GOLD STRIPES IN CONTACT AREA, TIN-LEAD(93-7) ON CONTACT LEGS, BALANCE OF CONTACT NICKEL PLATED.



SECTION A-A
ROTATED 90° CW
SCALE 10:1
FOR -1, -2 & -3 ONLY



CONTACT FINISH	CONTACT MAT'L	HOUSING MATERIAL	PART NO.	
TINNED	PHOS.BRZ.	GLASS-FILLED THERMOPLASTIC, 94V-0, BLACK	643647-8	
OBSELETE	BE.CU.	GLASS-FILLED THERMOPLASTIC, 94V-0, BLACK	643647-7	
TINNED	BE.CU.	GLASS-FILLED THERMOPLASTIC, 94V-0, BLACK	643647-6	
SUPSD BY 643647-2	PHOS.BRZ.	GLASS-FILLED THERMOPLASTIC, 94V-0, BLACK	643647-4	
OBSELETE	TINNED	PHOS.BRZ.	GLASS-FILLED THERMOPLASTIC, 94V-0, BLACK	643647-3
OBSELETE	BE.CU.	GLASS-FILLED THERMOPLASTIC, 94V-0, BLACK	643647-2	
TINNED	BE.CU.	GLASS-FILLED THERMOPLASTIC, 94V-0, BLACK	643647-1	

THIS DRAWING IS A CONTROLLED DOCUMENT.

DIMENSIONS: INCHES 0 P.L.C. ± - 1 P.L.C. ± - 2 P.L.C. ± - 3 P.L.C. ± .005 4 P.L.C. ± - ANGLES ± -	TOLERANCES UNLESS OTHERWISE SPECIFIED: DIM M. CYRUS 8-1-84 OR N. JONES 7-3-84 APD J. GRAY 7-10-84	NAME SOCKET ASSY, SIP, 15 POS, DIPLOMATE DL
MATERIAL: SEE TABLE FINISH: SEE TABLE	WEIGHT: - CUSTOMER DRAWING	SIZE: A1 CASE CODE: 00779 DRAWING NO: 643647 RESTRICTED TO: K

AMP Tyco Electronics Corporation
Harrisburg, PA 17105