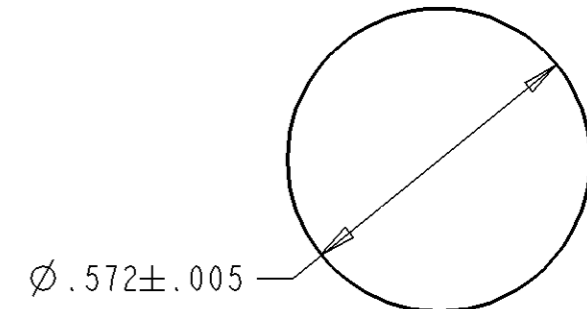
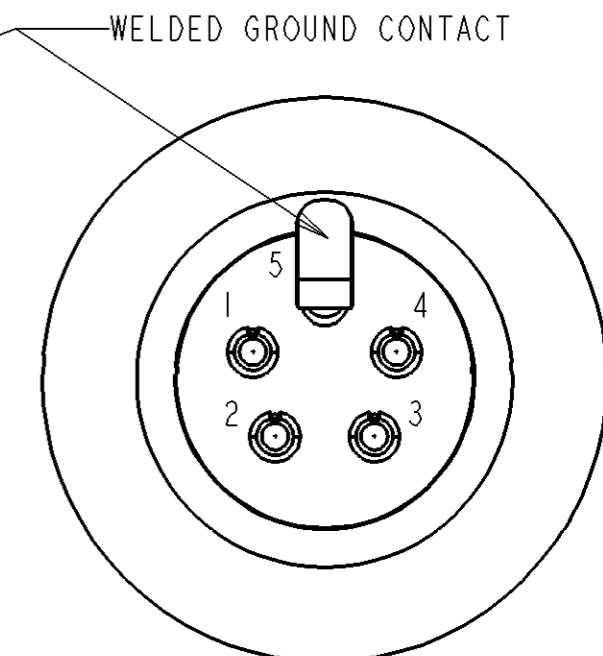
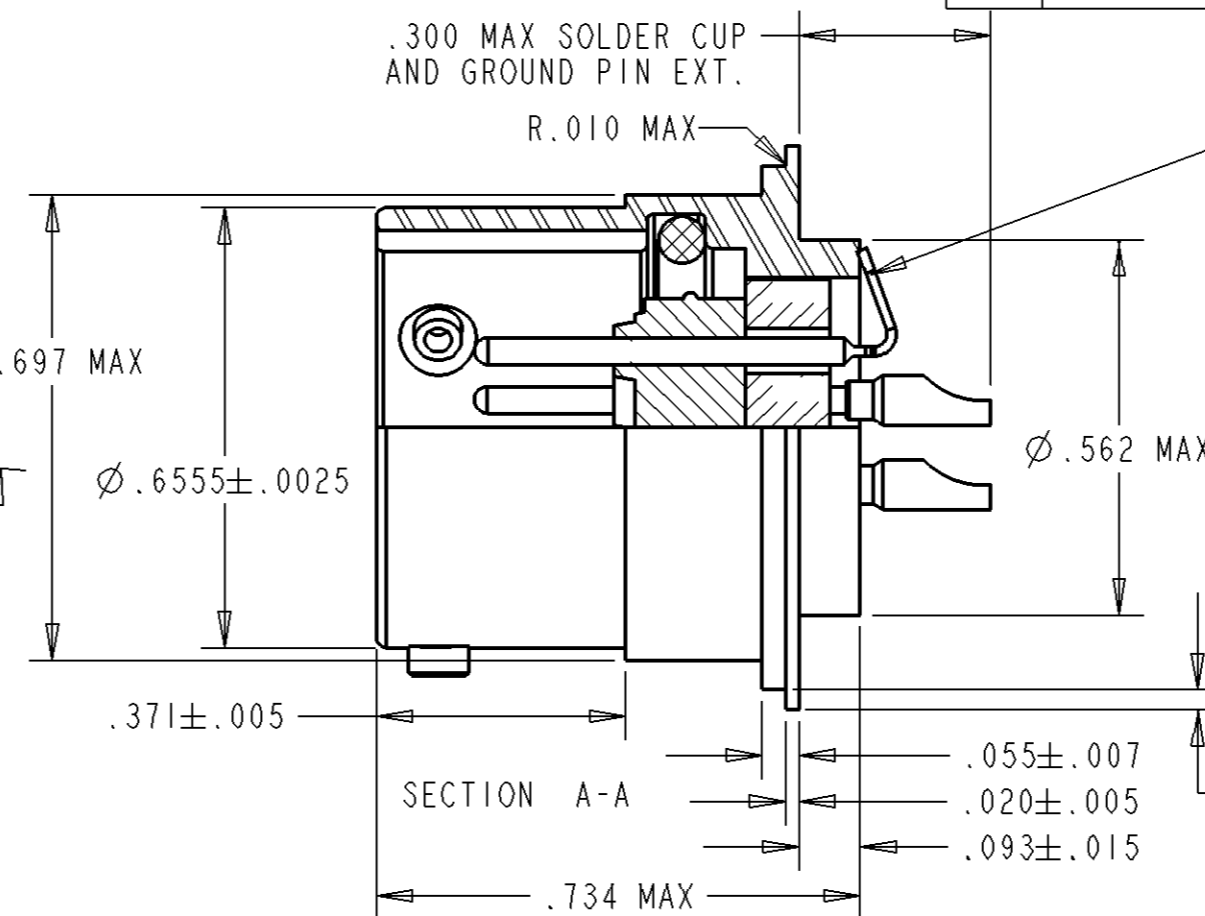
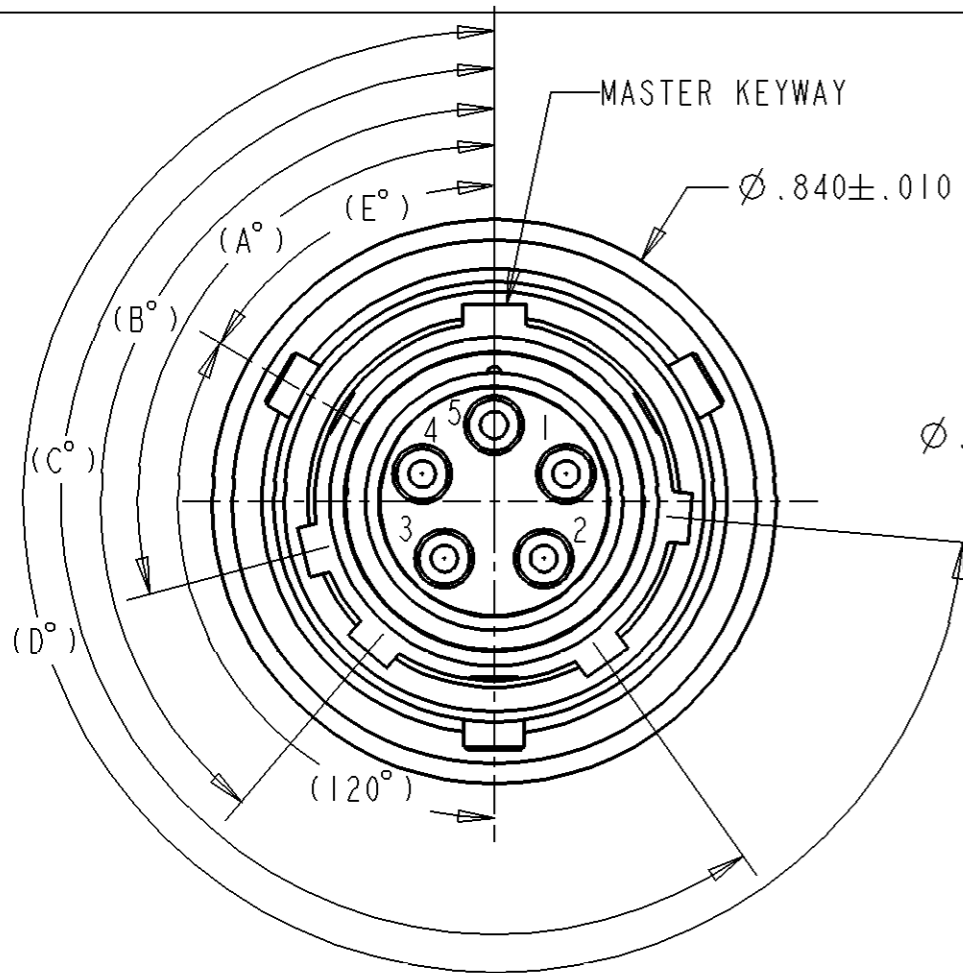


REV	DESCRIPTIONS	DATE	APPROVED
C	REDRAWN AND REVISED PER E.O. H3542	11/5/01	L.S.
D	REVISED PER E.O.H4545	5/13/09	M.A.



- DIMENSIONS ARE IN INCHES UNLESS OTHERWISE SPECIFIED.
- MEETS REQUIREMENTS OF ALLIED SIGNAL P/N 1095638 REV B.
- PART SHALL BE CLEARLY AND PERMANENTLY MARKED WITH PART NO. 07217-1095638 AND THE APPLICABLE DASH NO.
- MATERIAL: SHELL - STAINLESS STEEL
CONTACTS - HIGH NICKEL-IRON ALLOY
INSERT PIN FRONT - ELASTOMER
INSERT HERMETIC - COMPRESSION GLASS
O-RING - SILICONE BASE ELASTOMER

5. FINISH: SHELL - ELECTRO-POLISH
CONTACTS - GOLD PLATE

NOTE(S):

PART No.	*	POS.	A°	B°	C°	D°	E°
94643-10-5PN		N	105	140	215	265	60
94643-10-5P6		6	102	132	248	320	46
94643-10-5P7		7	80	118	230	312	46
94643-10-5P8		8	35	140	205	275	60
94643-10-5P9		9	64	155	234	304	89
94643-10-5PY		10	25	115	220	270	60

	SIGNATURE & DATE
DR	D.BIBB 11/2/01
CHK	L.STOLLE 11/5/01
PE	J.AGUILERA 11/5/01
APPD	J.AGUILERA 11/5/01
SCALE:	

RECEPTACLE, CONNECTOR
SPECIAL MOUNT
BAYONET COUPLING
HERMETIC
MIL-DTL-83723 SERIES III TYPE
GROUNDED CONTACT
ENVELOPE

CP	MATL CODE 74
DEUTSCH ENGINEERED INTERCONNECT SOLUTIONS 250 Eddie Jones Way Oceanside, CA 92058	
B	94643-10-5P*
DWG SIZE	CAGE CODE 11139
	SHEET 1 OF 1