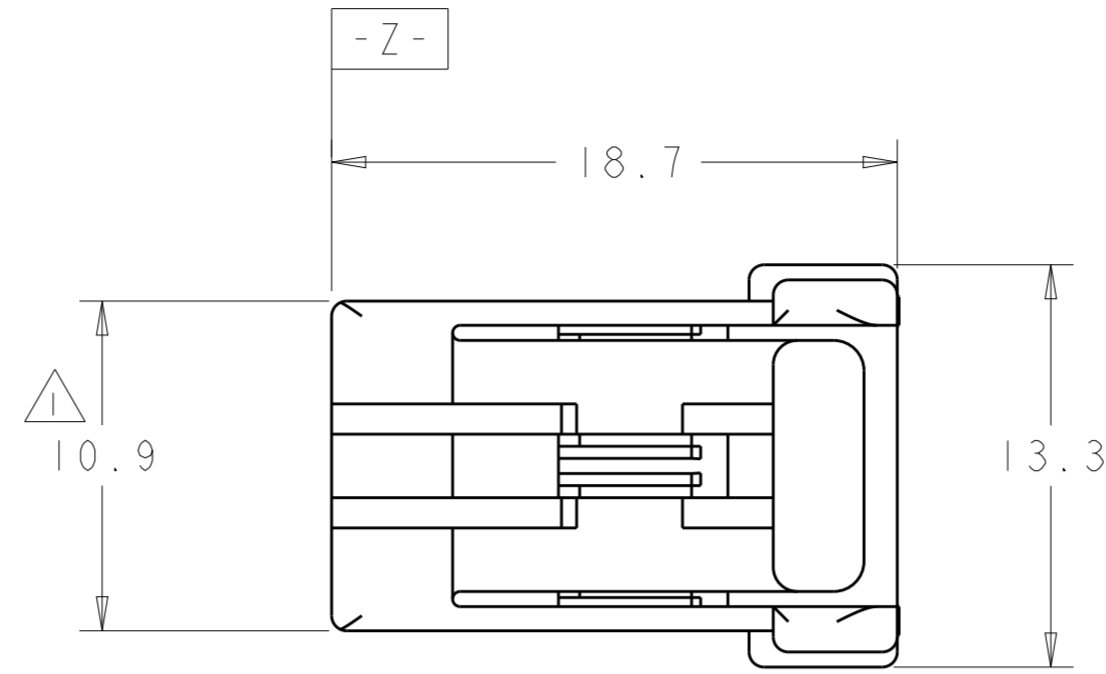
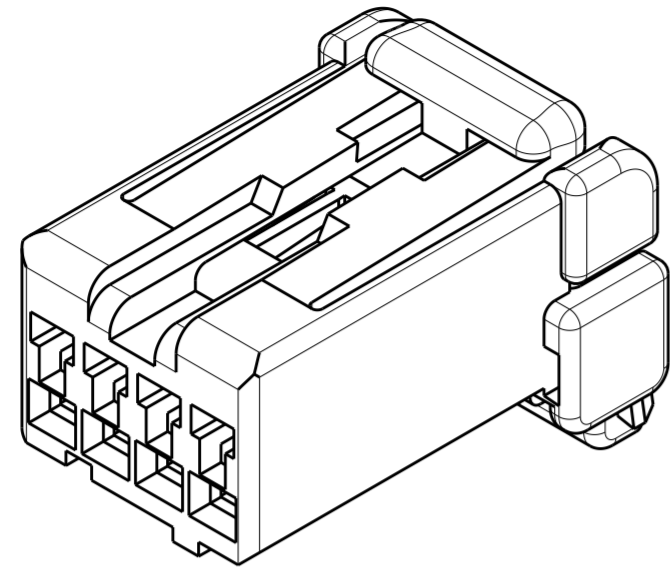
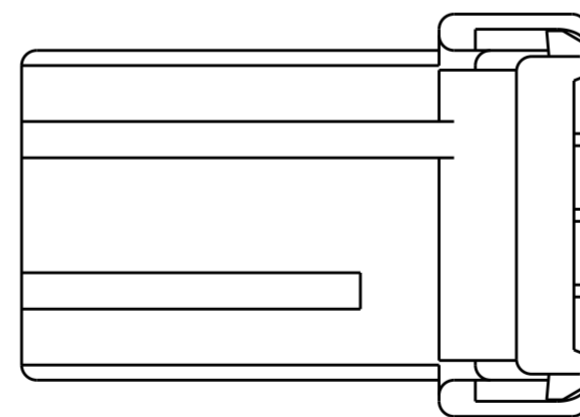
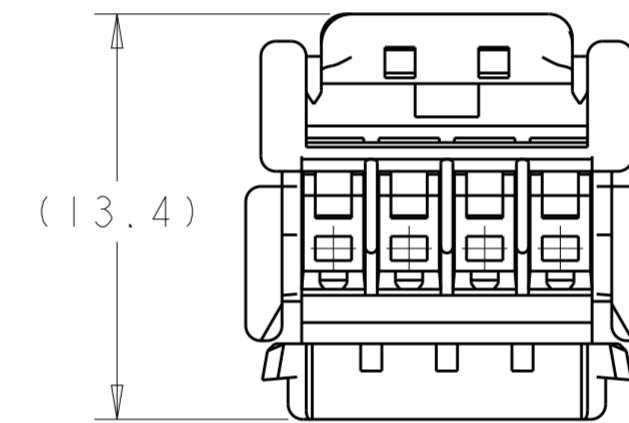
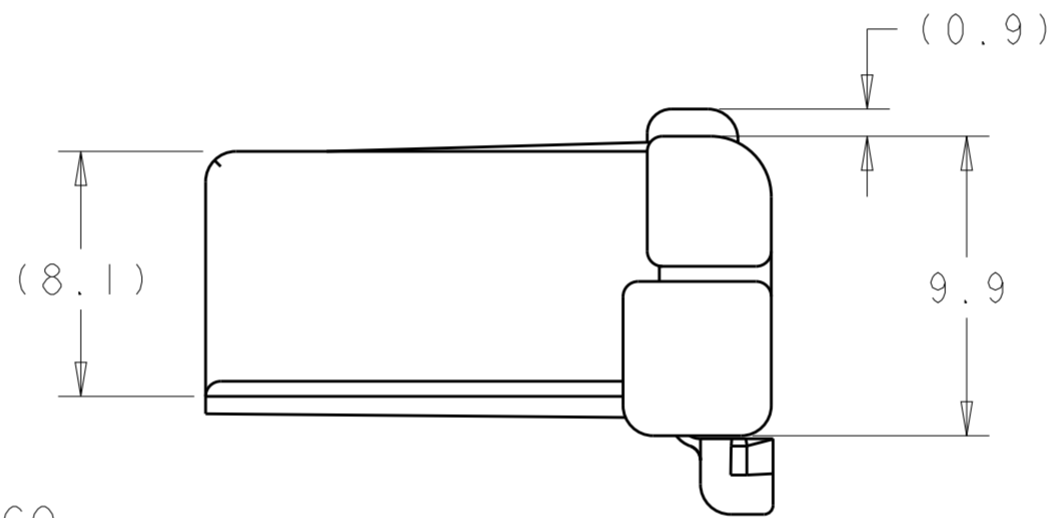
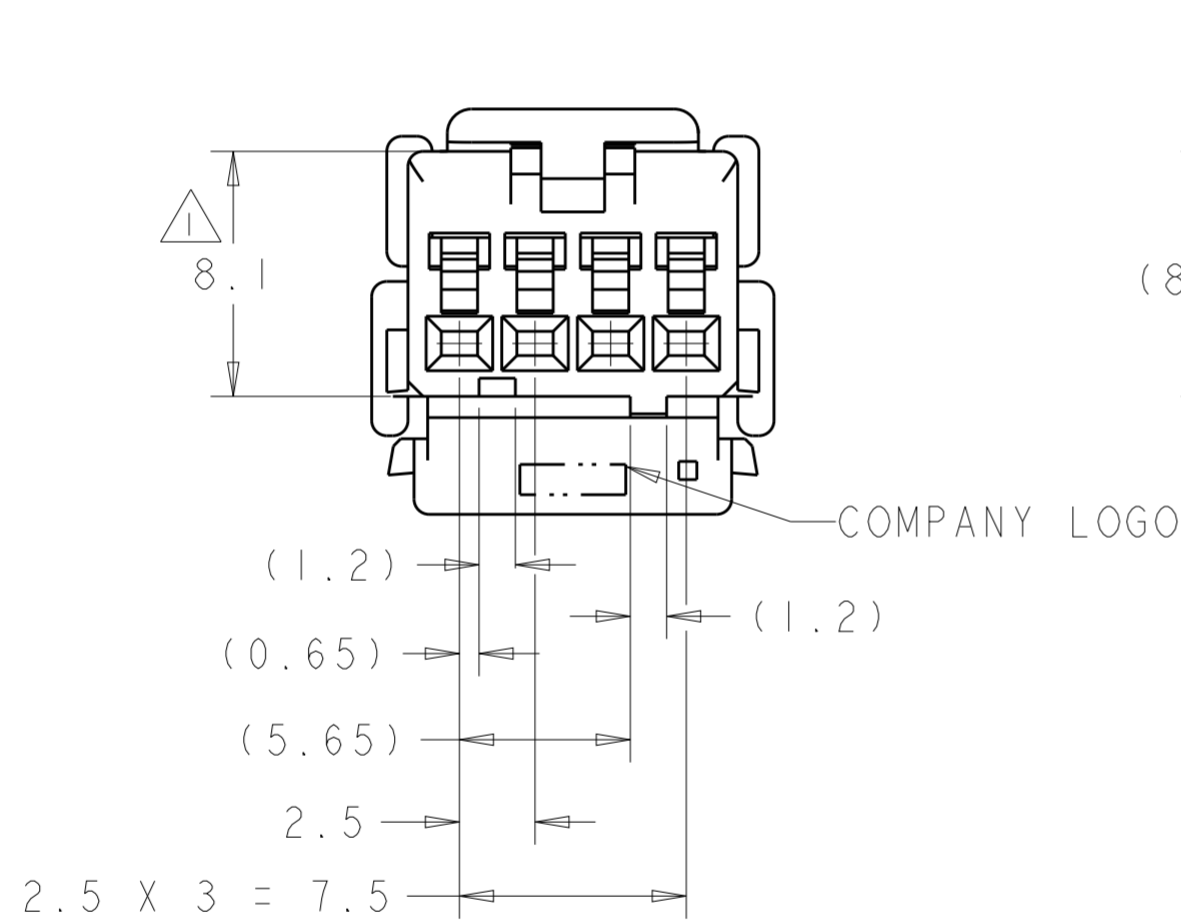


THIS DRAWING IS UNPUBLISHED. RELEASED FOR PUBLICATION 20
 © COPYRIGHT 20 BY - ALL RIGHTS RESERVED.

LOC	DIST	REVISIONS			
P	LTR	DESCRIPTION	DATE	DWN	APVD
FX	00	A	REVISED PER ECO-13-010895	02JUL2013	DD SA



△ TO BE MEASURED WITHIN 2mm FROM -Z-.
 2. APPLICABLE CONTACT PART NUMBER: 173681.



PBT	NATURAL	1438465-1
MATERIAL	COLOR	PART NUMBER
HOUSING		

THIS DRAWING IS A CONTROLLED DOCUMENT.		DWN R. VESTAL 28OCT2003
DIMENSIONS: mm		CHK S. ASHLEY 28OCT2003
TOLERANCES UNLESS OTHERWISE SPECIFIED:		APVD S. ASHLEY 28OCT2003
0 PLC ±		PRODUCT SPEC
1 PLC ±0.3		APPLICATION SPEC
2 PLC ±0.30		
3 PLC ±		WEIGHT 1.1 g
4 PLC ±		Customer Drawing
ANGLES ±°		
FINISH		
SEE TABLE	SEE TABLE	

TE Connectivity			
NAME PLUG HOUSING, 4 POSITION, RIGHT KEYED, .040 SERIES MULTI-LOCK			
SIZE	CAGE CODE	DRAWING NO	RESTRICTED TO
A200779	C-1438465		-
SCALE 4:1	SHEET 1 OF 1	REV A	