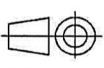



CRIMP DATA (TE TERMINAL)					
TERMINAL NAME	SOCKET CONTACT 180 DEG, 25 SQMM, WIRE CRIMP				
CRIMP	SIZE	TYPE		RANGE	
WIRE	COROPLAST			25 mm ²	
INSUL					
WIRE STRIP LENGTH	20 +/- 1		APPLICATOR INSTRUCTION		
TERMINAL APPL SPEC 114-94125	PRODUCT SPECIFICATION			FEED	
TERMINALS APPLIED			SEALS		
2177473-1	-	-	-	-	-
-	-	-	-	-	-
-	-	-	-	-	-
-	-	-	-	-	-
-	-	-	-	-	-
-	-	-	-	-	-
WIRE SIZE (mm ² AWG)		CRIMP HEIGHT		REF SETTING	
25		7,6 +/- 0,1			
-		-		-	
-		-		-	
-		-		-	
-		-		-	
-		-		-	
-		-		-	
-		-		-	
REMARK: Applicator only used in combination with Coroplast (LV216-2)					
TYPE: Applicator for loose piece terminals					
TERMINATOR: HV CRIMPING MACHINE 528008-4					

P	LTR	REVISION RECORD	DATE	DWN	APVD	PRINTED	DWN	04SEP12	CHK	APVD
-	D1	SEE SHEET 1	-	-	-	26SEP16	C.WITT	-	-	-
-	E	SEE SHEET 1	-	-	-	WEIGHT	DIMENSION (mm)	MATERIAL	HT TR	-
-	E1	SEE SHEET 1	-	-	-	-	-	-	-	-
-	F	SEE SHEET 4	26SEP16	CW	GS	 TOLERANCES UNLESS OTHERWISE SPECIFIED SEE SHEET 1		 tyco Electronics AMP GmbH D-64625 Bensheim SPARE AND WEAR PARTS LIST		
THIS DRAWING IS A CONTROLLED DOCUMENT FOR TYCO ELECTRONICS CORPORATION. IT IS SUBJECT TO CHANGE AND THE CONTROLLING ENGINEERING ORGANIZATION SHOULD BE CONTACTED FOR THE LATEST REVISION. DIESES ZEICHNUNGSDOKUMENT WIRD DURCH TYCO ELECTRONICS CORPORATION KONTROLLIERT. ÄNDERUNGEN DIE DEM TECHNISCHEN FORTSCHRITT DIENEN, SIND VORBEHALTEN. DEN JEWEILS LETZTGÜLTIGEN ÄNDERUNGSSTAND ERFAHREN SIE AUF ANFRAGE						NAME APPLICATOR HV, 180AK, CAT2, 25SQ.MM				RESTRICTED TO
SCALE		SIZE		DRAWING NO		SHEET		REV		
SEE SHEET 1		A4		C-541872-2		1 / 4		F		

POS	QTY	TE/PN	DESCRIPTION		S=Spear Parts W=Wear Parts	S	W
1	1	7-0519714-7	BASE PLATE	GRUNDPLATTE		<input checked="" type="checkbox"/>	<input type="checkbox"/>
2	1	0-0519720-1	TOP PLATE	KOPFPLATTE		<input checked="" type="checkbox"/>	<input type="checkbox"/>
3	1	2-0519715-6	HOLDER	HALTER		<input checked="" type="checkbox"/>	<input type="checkbox"/>
4	1	5-0519709-2	CRIMPER LOCATOR	CRIMPERAUFNAHME		<input checked="" type="checkbox"/>	<input type="checkbox"/>
8	1	7-1579019-5	DIE SET HV, 180-AK, 25SQ.MM			<input checked="" type="checkbox"/>	<input checked="" type="checkbox"/>
13	1	7-0519714-8	PLATE	PLATTE		<input checked="" type="checkbox"/>	<input type="checkbox"/>
15	1	2-0519715-7	HOLDER	HALTER		<input checked="" type="checkbox"/>	<input type="checkbox"/>
17	1	2-0519715-8	HOLDER	HALTER		<input checked="" type="checkbox"/>	<input type="checkbox"/>
18	1	8-0519714-0	PLATE	PLATTE		<input checked="" type="checkbox"/>	<input checked="" type="checkbox"/>
19	1	5-0519564-3	HOUSING	GEHÄUSE		<input checked="" type="checkbox"/>	<input type="checkbox"/>
20	1	8-0519714-1	PLATE	PLATTE		<input checked="" type="checkbox"/>	<input type="checkbox"/>
21	1	8-0519714-2	STOP PLATE	ANSCHLAGPLATTE		<input checked="" type="checkbox"/>	<input checked="" type="checkbox"/>
23	1	6-0519514-1	RAM	STÖSSEL		<input checked="" type="checkbox"/>	<input type="checkbox"/>
24	1	2-0519703-8	PIN	STIFT		<input checked="" type="checkbox"/>	<input type="checkbox"/>
25	2	0-2079970-1	GUIDE BUSHING, BALL FÜHRUNGSBUCHSE			<input checked="" type="checkbox"/>	<input type="checkbox"/>
26	2	0-2079969-1	GUIDE PILLAR, SHOULDER FUEHRUNGSSAEULE MIT SCHULT			<input checked="" type="checkbox"/>	<input type="checkbox"/>
31	2	9-0519051-1	ZYL.-STIFT 6M6*30 DIN 6325 -ST			<input checked="" type="checkbox"/>	<input type="checkbox"/>
32	4	3-0519000-2	SCREW, CAP, SOCKET HD, METRIC			<input checked="" type="checkbox"/>	<input type="checkbox"/>
33	1	5-0519585-3	TONGUE	LASCHE		<input checked="" type="checkbox"/>	<input type="checkbox"/>
34	1	0-2079833-1	HANDLE, BOW, OVAL			<input checked="" type="checkbox"/>	<input type="checkbox"/>
35	1	6-0519000-8	SCREW, CAP, SOCKET HD, METRIC			<input checked="" type="checkbox"/>	<input type="checkbox"/>
39	2	3-0519000-7	SCREW, CAP, SOCKET HD, METRIC			<input checked="" type="checkbox"/>	<input type="checkbox"/>
40	1	4-0519000-1	SCREW, CAP, SOCKET HD, METRIC			<input checked="" type="checkbox"/>	<input type="checkbox"/>
41	2	4-0519000-2	SCREW, CAP, SOCKET HD, METRIC			<input checked="" type="checkbox"/>	<input type="checkbox"/>

REMARKS: APPLICATOR HV-180AK CAT2 NUR ZUR VERARBEITUNG VON 25 QMM

USED ON

P	LTR	REVISION RECORD	DATE	DWN	APVD	PRINTED	DWN	04SEP12	CHK	APVD
-	D1	SEE SHEET 1	-	-	-	26SEP16	C.WITT	-	-	-
-	E	SEE SHEET 1	-	-	-	WEIGHT	DIMENSION (mm)	MATERIAL	HT TR	-
-	E1	SEE SHEET 1	-	-	-					
-	F	SEE SHEET 4	-	-	-					

TOLERANCES UNLESS OTHERWISE SPECIFIED SEE SHEET 1

tyco Electronics AMP GmbH
D-64625 Bensheim

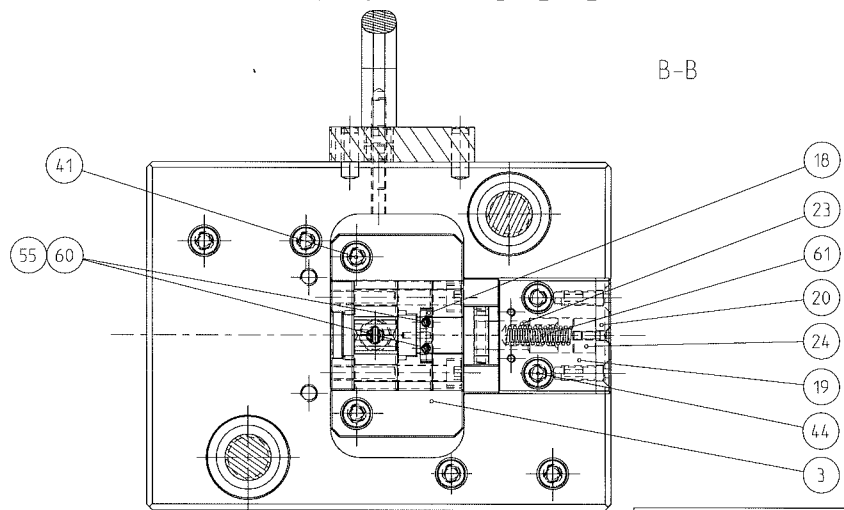
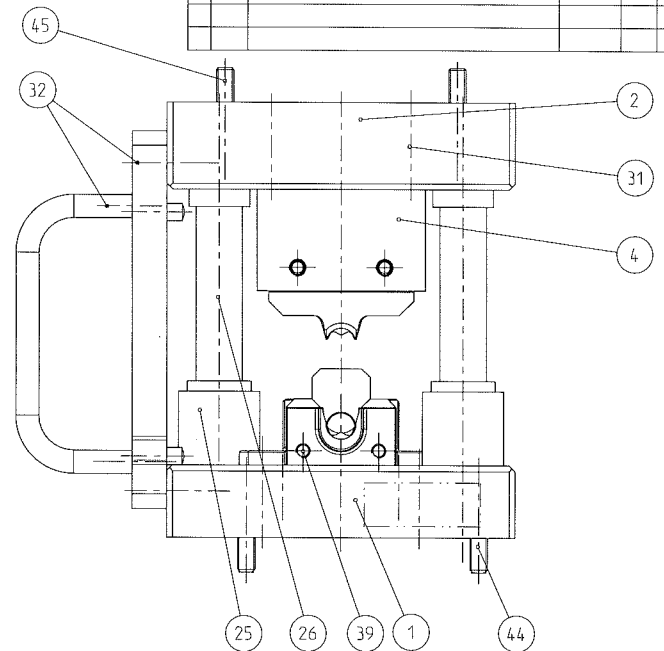
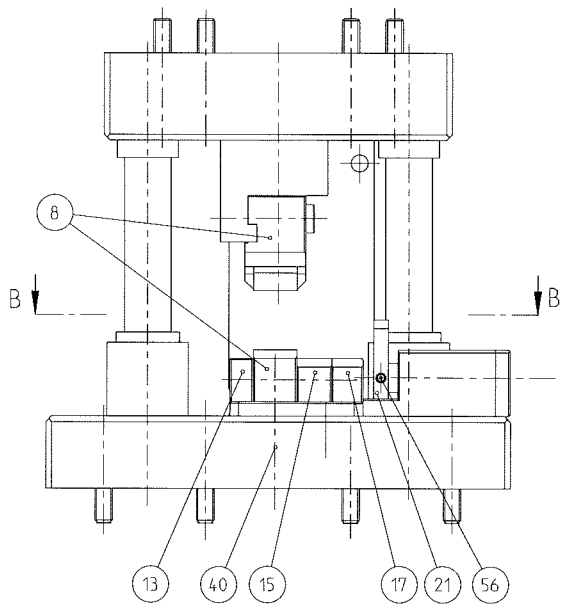
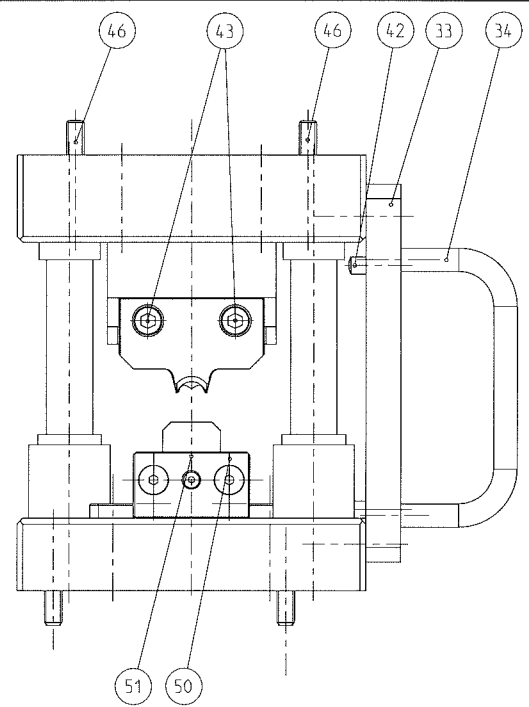
SPARE AND WEAR PARTS LIST

THIS DRAWING IS A CONTROLLED DOCUMENT FOR TYCO ELECTRONICS CORPORATION. IT IS SUBJECT TO CHANGE AND THE CONTROLLING ENGINEERING ORGANIZATION SHOULD BE CONTACTED FOR THE LATEST REVISION.

DIESES ZEICHNUNGSDOKUMENT WIRD DURCH TYCO ELECTRONICS CORPORATION KONTROLLIERT. ÄNDERUNGEN DIE DEM TECHNISCHEN FORTSCHRITT DIENEN, SIND VORBEHALTEN. DEN JEWEILS LETZTGÜLTIGEN ÄNDERUNGSSTAND ERFAHREN SIE AUF ANFRAGE

NAME APPLICATOR HV, 180AK, CAT2, 25SQ.MM			RESTRICTED TO	
SCALE SEE SHEET 1	SIZE A4	DRAWING NO C-541872-2	SHEET 2 / 4	REV F


LOC	DIST	REVISIONS			
P	LYR	DESCRIPTION	DATE	DRW	APPV
F		ECR-16-012972	22SEP2016	CW	GS



Application range / Anwendungsbereich

For HV 8mm socket contact 180 deg, 25sqmm P/N 2177473-1.
 Fuer HV 8mm Buchsenkontakt 180°, 25qmm P/N 2177473-1.

In combination with HV Crimp machine P/N 526008-4.
 Einsatz in HV Crimpmaschine P/N 526008-4.

THIS DRAWING IS A CONTROLLED DOCUMENT.		DWN R. Germann 29MAY2012	 TE Connectivity
DIMENSIONS: mm		CHR G. Stegmayer 29MAY2012	
TOLERANCES UNLESS OTHERWISE SPECIFIED:		APVD G. Stegmayer 29MAY2012	NAME
0 PLC ±0.1 1 PLC ±0.1 2 PLC ±0.1 3 PLC ±0.1 4 PLC ±0.1 ANGLES 45°		PRODUCT SPEC	APPLICATOR HV, 180AK, CAT2, 25SQ.MM
MATERIAL		APPLICATION SPEC	SIZE CAGE CODE DRAWING NO
FINISH		WEIGHT	A200779 ©=541872-2
		CUSTOMER DRAWING	RESTRICTED TO
		SCALE 1:1	SHEET 4 of 4 REV F