

HIGHLIGHTS

FEATURES

- 300V up to 63A
- Cost effective reliable wire-to-wire solution
- Easy to use double-row terminal strips
- Panel mount or free float
- Finger safe metal parts
- Wire protector
- easy to cut to required pole configuration
- Pre cut version in stock
- Color: white

APPLICATIONS

- HVAC
- Appliances
- Equipment
- Power Distribution
- Junction Boxes
- Cost effective alternative to barrier strips



Dimensions & Weight

| | | |
|----------------------------|--------|--------|
| Pitch Spacing | 8 mm | 10 mm |
| Weight per piece (12 pole) | 16.2 g | 31.6 g |

Technical Data/Ratings

| | | | | |
|------------------------------|----------------------|-----------------------|----------------------|-----------------------|
| Approvals | | | | |
| Wire Size (solid / stranded) | 24-12 AWG | 1-2.5 mm ² | 24-10 AWG | 2.5-4 mm ² |
| Voltage Rating | 300 V | 400 V | 300 V | 400 V |
| Current Rating | 20 A | 6 A | 30 A | 10 A |
| Torque | 4.4 lb-in | 0.35 Nm | 7.0 lb-in | 0.4 Nm |
| Insulation Material | Polyamide 66/6 V0 | | Polyamide 66/6 V0 | |
| Insert Material | Tinned Brass | | Tinned Brass | |
| Terminal Screw Material | Blue Chromated Steel | | Blue Chromated Steel | |

Installation Instructions

| | | |
|------------------------|--------|--------|
| Wire Stripping Length | 5 mm | 6 mm |
| Mounting Hole Diameter | 3.0 mm | 3.6 mm |
| Terminal Screw Size | M2.6 | M3 |

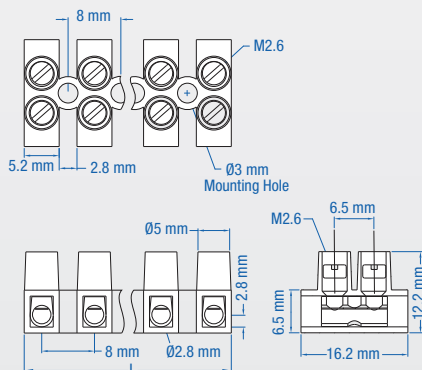
Terminal Strips

| | Cat. No. | Length | Std. Pk. | Cat. No. | Length | Std. Pk. |
|---------|-----------|---------|----------|-----------|----------|----------|
| 2 pole | HE1WPR/02 | 13.2 mm | 100 | HE4WPR/02 | 16.4 mm | 100 |
| 3 pole | HE1WPR/03 | 21.2 mm | 100 | HE4WPR/03 | 26.4 mm | 100 |
| 4 pole | HE1WPR/04 | 29.2 mm | 100 | HE4WPR/04 | 36.4 mm | 100 |
| 5 pole | HE1WPR/05 | 37.2 mm | 100 | HE4WPR/05 | 46.4 mm | 100 |
| 6 pole | HE1WPR/06 | 45.2 mm | 50 | HE4WPR/06 | 56.4 mm | 50 |
| 7 pole | HE1WPR/07 | 53.2 mm | 50 | HE4WPR/07 | 66.4 mm | 50 |
| 8 pole | HE1WPR/08 | 61.2 mm | 50 | HE4WPR/08 | 76.4 mm | 50 |
| 9 pole | HE1WPR/09 | 69.2 mm | 50 | HE4WPR/09 | 86.4 mm | 50 |
| 10 pole | HE1WPR/10 | 77.2 mm | 50 | HE4WPR/10 | 96.4 mm | 50 |
| 11 pole | HE1WPR/11 | 85.2 mm | 50 | HE4WPR/11 | 106.4 mm | 50 |
| 12 pole | HE1WPR/12 | 93.2 mm | 50 | HE4WPR/12 | 116.4 mm | 50 |

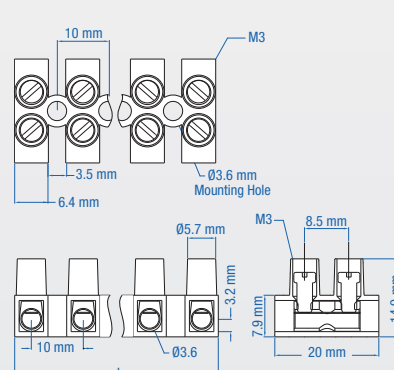
Accessories

| | Cat. No. | Std. Pk. | Cat. No. | Std. Pk. |
|------------------|-----------------|----------|-------------|----------|
| External Jumpers | 2 pole HCL8-2 | 100 | HCL10-2 | 100 |
| | 3 pole HCL8-3 | 100 | HCL10-3 | 100 |
| | 4 pole HCL8-4 | 100 | HCL10-4 | 100 |
| | 12 pole HCL8-12 | 25 | HCL10-12 | 25 |
| | Marking Plates | Blank | - | BS24E |
| No. 1-12 | | - | BS24EM1-12 | 25 |
| No. 13-24 | | - | BS24EM13-24 | 25 |

HE1 DIMENSIONS

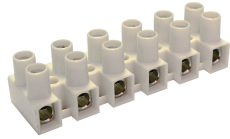


HE4 DIMENSIONS

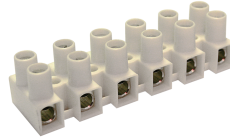


(All dimensions are shown in mm, to convert to inches please divide by 25.4)

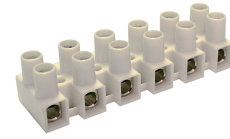
HE6



HE10



HE16



Dimensions & Weight

| | | | |
|----------------------------|--------|--------|--------|
| Pitch Spacing | 12 mm | 15 mm | 15 mm |
| Weight per piece (12 pole) | 47.0 g | 95.5 g | 94.5 g |

Technical Data/Ratings

| | | | | | | |
|------------------------------|----------------------|---------------------|----------------------|----------------------|----------------------|-----------------------|
| Approvals | | | | | | |
| Wire Size (solid / stranded) | 20-10 AWG | 4-6 mm ² | 18-8 AWG | 6-10 mm ² | 18-6 AWG | 10-16 mm ² |
| Voltage Rating | 300 V | 400 V | 300 V | 400 V | 300 V | 400 V |
| Current Rating | 40 A | 16 A | 50 A | 25 A | 63 A | 35 A |
| Torque | 7.0 lb-in | 0.55 Nm | 10.6 lb-in | 0.84 Nm | 17.7 lb-in | 1.4 Nm |
| Insulation Material | Polyamide 66/6 V0 | | Polyamide 66/6 V0 | | Polyamide 66/6 V0 | |
| Insert Material | Tinned Brass | | Tinned Brass | | Tinned Brass | |
| Terminal Screw Material | Blue Chromated Steel | | Blue Chromated Steel | | Blue Chromated Steel | |

Installation Instructions

| | | | |
|------------------------|--------|--------|--------|
| Wire Stripping Length | 7 mm | 8.5 mm | 8.5 mm |
| Mounting Hole Diameter | 4.2 mm | 4.5 mm | 4.5 mm |
| Terminal Screw Size | M3.5 | M4 | M5 |

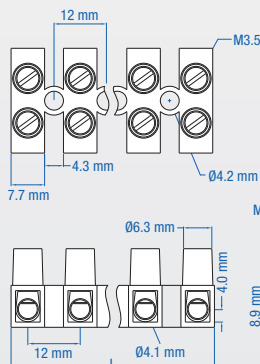
Terminal Strips

| | Cat. No. | Length | Std. Pk. | Cat. No. | Length | Std. Pk. | Cat. No. | Length | Std. Pk. |
|---------|-----------|----------|----------|------------|----------|----------|------------|----------|----------|
| 2 pole | HE6WPR/02 | 19.8 mm | 100 | HE10WPR/02 | 24.2 mm | 50 | HE16WPR/02 | 24.2 mm | 50 |
| 3 pole | HE6WPR/03 | 31.8 mm | 100 | HE10WPR/03 | 39.2 mm | 50 | HE16WPR/03 | 39.2 mm | 50 |
| 4 pole | HE6WPR/04 | 43.8 mm | 100 | HE10WPR/04 | 54.2 mm | 50 | HE16WPR/04 | 54.2 mm | 50 |
| 5 pole | HE6WPR/05 | 55.8 mm | 100 | HE10WPR/05 | 69.2 mm | 50 | HE16WPR/05 | 69.2 mm | 50 |
| 6 pole | HE6WPR/06 | 67.8 mm | 50 | HE10WPR/06 | 84.2 mm | 25 | HE16WPR/06 | 84.2 mm | 25 |
| 7 pole | HE6WPR/07 | 79.8 mm | 50 | HE10WPR/07 | 99.2 mm | 25 | HE16WPR/07 | 99.2 mm | 25 |
| 8 pole | HE6WPR/08 | 91.8 mm | 50 | HE10WPR/08 | 114.2 mm | 25 | HE16WPR/08 | 114.2 mm | 25 |
| 9 pole | HE6WPR/09 | 103.8 mm | 50 | HE10WPR/09 | 129.2 mm | 25 | HE16WPR/09 | 129.2 mm | 25 |
| 10 pole | HE6WPR/10 | 115.8 mm | 25 | HE10WPR/10 | 144.2 mm | 10 | HE16WPR/10 | 144.2 mm | 10 |
| 11 pole | HE6WPR/11 | 127.8 mm | 25 | HE10WPR/11 | 159.2 mm | 10 | HE16WPR/11 | 159.2 mm | 10 |
| 12 pole | HE6WPR/12 | 139.8 mm | 25 | HE10WPR/12 | 174.2 mm | 10 | HE16WPR/12 | 174.2 mm | 10 |

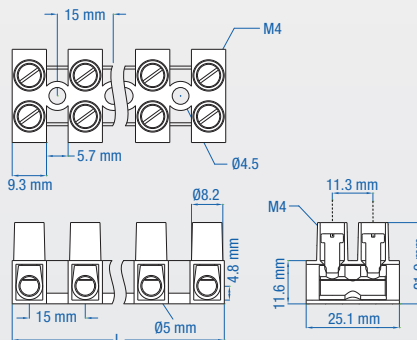
Accessories

| | Cat. No. | Std. Pk. | Cat. No. | Std. Pk. | Cat. No. | Std. Pk. |
|------------------|-----------------------|----------|---------------|----------|---------------|----------|
| External Jumpers | 2 pole HCL12-2 | 100 | HCL15-2 | 100 | HCL15-2 | 100 |
| | 3 pole HCL12-3 | 100 | HCL15-3 | 100 | HCL15-3 | 100 |
| | 4 pole HCL12-4 | 100 | HCL15-4 | 100 | HCL15-4 | 100 |
| | 12 pole HCL12-12 | 25 | HCL15-12 | 25 | HCL15-12 | 25 |
| Marking Plates | Blank BS60E | 25 | BS1016E | 25 | BS1016E | 25 |
| | No. 1-12 BS60EM1-12 | 25 | BS1016EM1-12 | 25 | BS1016EM1-12 | 25 |
| | No. 13-24 BS60EM13-24 | 25 | BS1016EM13-24 | 25 | BS1016EM13-24 | 25 |

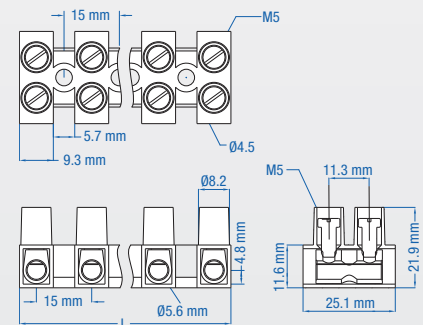
HE6 DIMENSIONS



HE10 DIMENSIONS



HE16 DIMENSIONS



(All dimensions are shown in mm, to convert to inches please divide by 25.4)