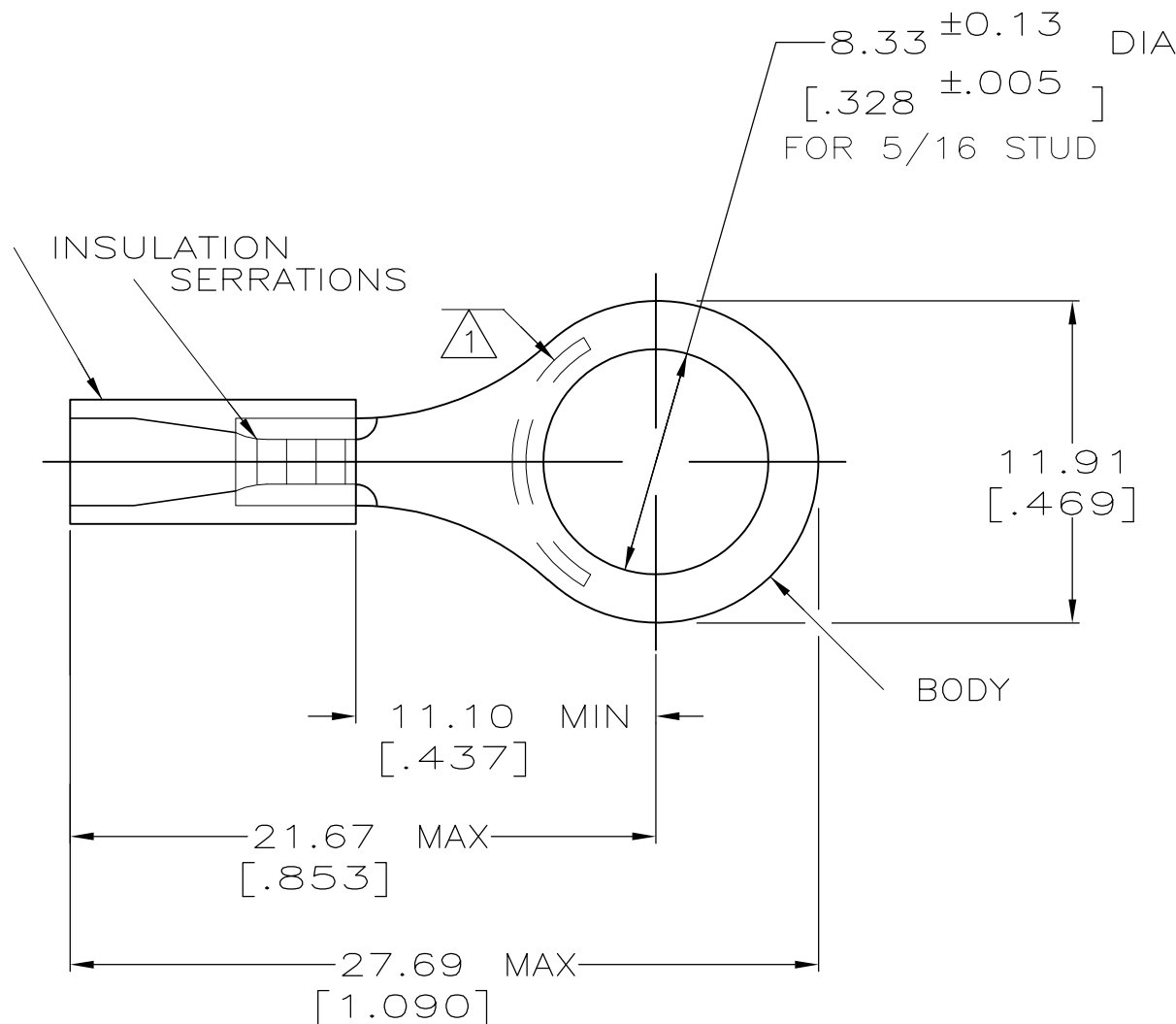


THIS DRAWING IS UNPUBLISHED. RELEASED FOR PUBLICATION - , -  
 © COPYRIGHT - By - ALL RIGHTS RESERVED.

| LOC | DIST | REVISIONS   |                           |         |        |
|-----|------|-------------|---------------------------|---------|--------|
| P   | LTR  | DESCRIPTION | DATE                      | DWN     | APVD   |
| G   | 14   | P1          | REVISED PER ECO-11-004917 | 11MAR11 | RK HMR |

|                                |                                |                                |
|--------------------------------|--------------------------------|--------------------------------|
| <b>AMP</b><br>WIRE RANGE       | Listed<br>FILE E13288          | LR7189<br>Certified            |
| 22-16 AWG<br>SOLID OR STRANDED | 22-16 AWG<br>SOLID OR STRANDED | 22-16 AWG<br>SOLID OR STRANDED |



- 1 STAMP AMP 22-18\* APPROX AS SHOWN  
22-16 TERMINALS ARE STAMPED 22-18 IN  
ACCORDANCE WITH MILITARY SPEC MIL-T-7928  
COMMERCIAL WIRE RANGE IS 22-16
- 2 WIRE INSULATION DIA: 2.67-3.56 [.105-.140]
- 3 TONGUE MATERIAL THK: 0.79<sup>±0.05</sup> [.031<sup>±.002</sup>]
- 4 MATERIAL: BODY - CU PER ASTM B152  
SLEEVE - PVC, COLOR - RED
- 5 MATERIAL: BODY - CU PER ASTM B152  
SLEEVE - PVC, COLOR - BLACK

| QTY  | PACKAGE TYPE  | PART NO              |
|------|---------------|----------------------|
| 25   | LOOSE PC,BAG  | <del>8-34151-5</del> |
| 100  | LOOSE PC,BOX  | 8-34151-1            |
| 5000 | ON TAPE, REEL | 2-34151-3            |
| 5000 | ON TAPE, REEL | 2-34151-1            |
| 1000 | LOOSE PIECE   | 34151                |

|  |  |   |  |  |                            |                         |                    |                       |                    |
|--|--|---|--|--|----------------------------|-------------------------|--------------------|-----------------------|--------------------|
| <b>AMP INCORPORATED<br/>CUSTOMER SERVICE SYSTEMS</b>                             |  | MAX RECOMMENDED OPERATING TEMPERATURE:<br>105°C [221°F]   | THIS DRAWING IS A CONTROLLED DOCUMENT. |  | DWN<br>DK SCHRUM 08/06/92  | TE Connectivity         |                    |                       |                    |
| FOR ADDITIONAL PRODUCT INFORMATION OR COPIES OF DRAWINGS AND TECHNICAL DOCUMENTS | PRODUCT INFORMATION CENTER<br>1-800-522-6752 | VOLTAGE RATING:<br>600V MAX<br>(1000V FIXTURE OR SIGN)  | DIMENSIONS:<br>mm[INCHES]              | TOLERANCES UNLESS OTHERWISE SPECIFIED:   | CHK<br>RE HERSEY 11/10/92  | NAME<br>M BARNABA       |                    |                       |                    |
| FOR APPLICATION TOOLING INFORMATION  | TOOLING ASSISTANCE CENTER<br>1-800-722-1111  | CIRCULAR MIL AREA:<br>0.26-1.65mm <sup>2</sup> [509-3260]<br>SOLID OR STRANDED  |  | 0 PLC ± -<br>1 PLC ± -<br>2 PLC ± 0.20[.008]<br>3 PLC ± -<br>4 PLC ± -<br>ANGLES ± - | APVD<br>M BARNABA 11/10/92 | PRODUCT SPEC<br>UL 486A |                    |                       |                    |
| FOR ORDER ENTRY  | 1-800-526-5142                               | THIS DRAWING IS A CONTROLLED DOCUMENT FOR AMP INCORPORATED. IT IS SUBJECT TO CHANGE AND THE CONTROLLING ENGINEERING ORGANIZATION SHOULD BE CONTACTED FOR THE LATEST REVISION. | MATERIAL<br>SEE NOTES                  | FINISH<br>TIN PER ASTM B545  | APPLICATION SPEC<br>-      | SIZE<br>A3              | CAGE CODE<br>00779 | DRAWING NO<br>C-34151 | RESTRICTED TO<br>- |
| CUSTOMER DRAWING   |  |   |  |  | WEIGHT<br>-                | SCALE<br>4:1            | SHEET<br>1 OF 1    | REV<br>P1             |                    |