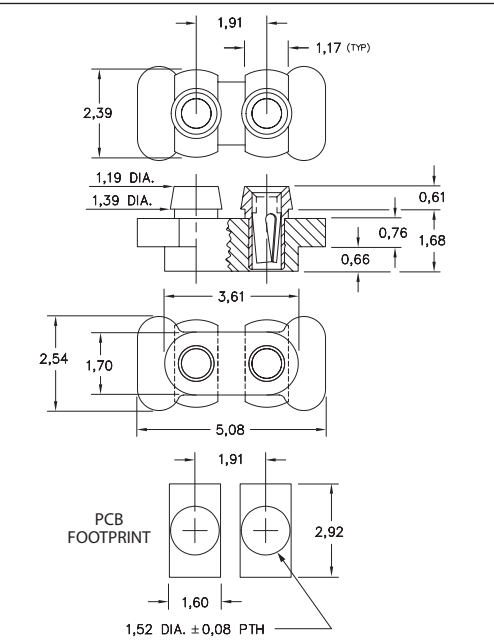
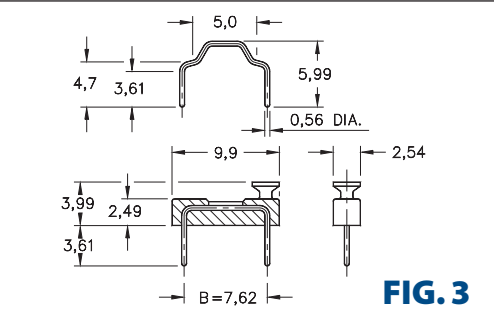
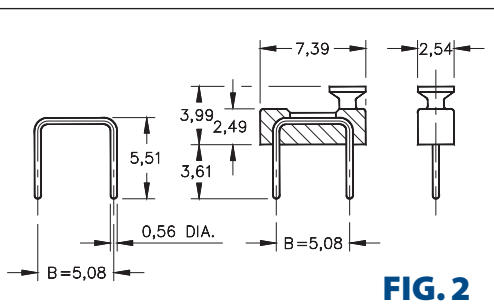
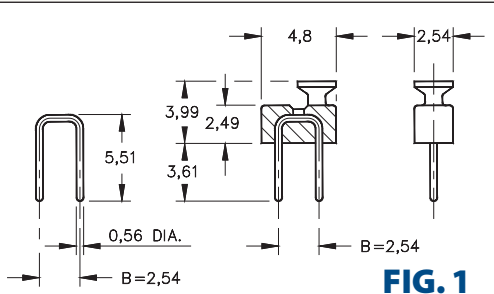
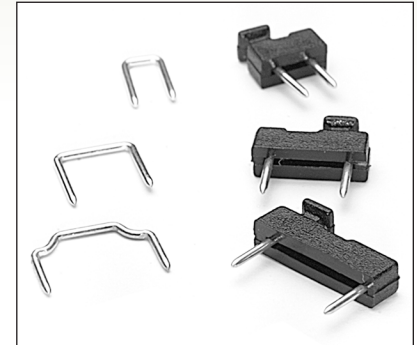


IO SOCKETS

SERIES 388, 999 • MALE SHORTING JUMPERS & MICROPHONE SOCKETS



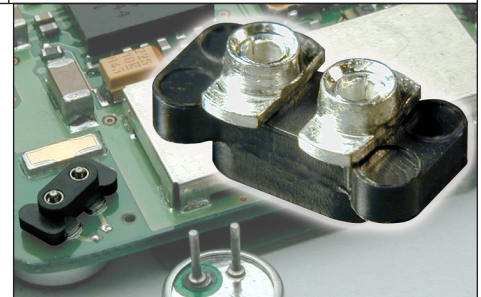
- Male shorting jumpers are available with or without insulator and have 0,56 diameter pins with 2,54, 5,08 or 7,62 center spacing
- Insulator materials are not high temperature
- For Electrical, Mechanical & Environmental Data, see page 264 for details



ORDERING INFORMATION

Male Shorting Jumper 2,54 Spacing		
FIG. 1	Color / Style	Plating 0,25µm Au
	Black Not Insulated	999-11-210-10-000000 999-11-110-10-000000
Male Shorting Jumper 5,08 Spacing		
FIG. 2	Color / Style	Plating 0,25µm Au
	Black Not Insulated	999-11-220-10-000000 999-11-112-10-000000
Male Shorting Jumper 7,62 Spacing		
FIG. 3	Color / Style	Plating 0,25µm Au
	Black Not Insulated	999-11-230-10-000000 999-11-113-10-000000

- Series 388 microphone socket is a bottom entry socket for microphones having Ø 0,46 pins on 1,91 centers
- Designed to be surface mount and intrusive reflow soldered
- Series 388 uses MM #8874 pins. See page 159 for details
- Hi-Rel, 3-finger BeCu #11 contact is rated at 3 amps. See page 251 for details
- Insulator is high temperature Nylon 46, rated UL 94 V-0



Ordering Information Microphone Socket

<div style="border: 1px solid black; border-radius: 50%; padding: 5px; display: inline-block;"> XX=Plating Code See Below </div>	388-XX-102-11-740800 (Discrete socket)					
	<div style="margin-left: 20px;"> ↑ Plating Code </div>	388-XX-102-11-740799 (Tape and Reel)				
(Supplied on 12mm wide carrier tape per EIA-481: 6,500 per 330mm reel)						
SPECIFY PLATING CODE XX=				99		44 ◆
Sleeve (Pin)				5,08µm Sn/Pb		5,08µm Sn
Contact (Clip)				5,08µm Sn/Pb		5,08µm Sn

