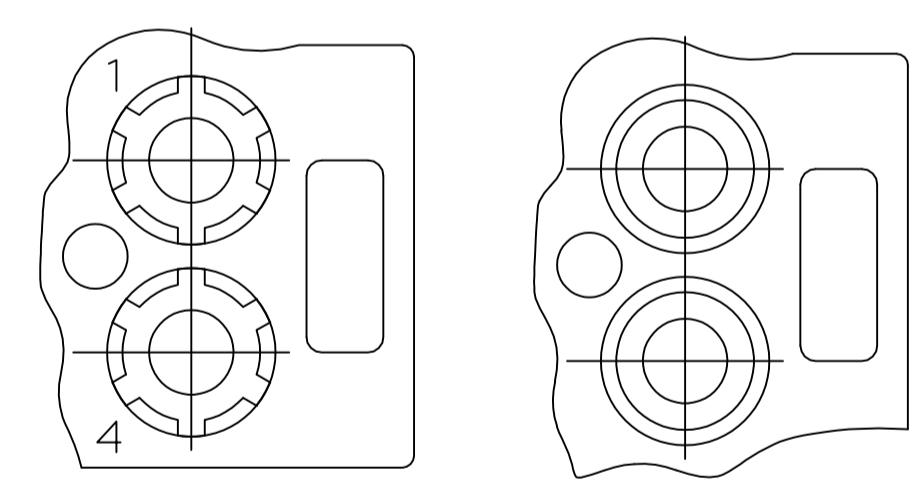
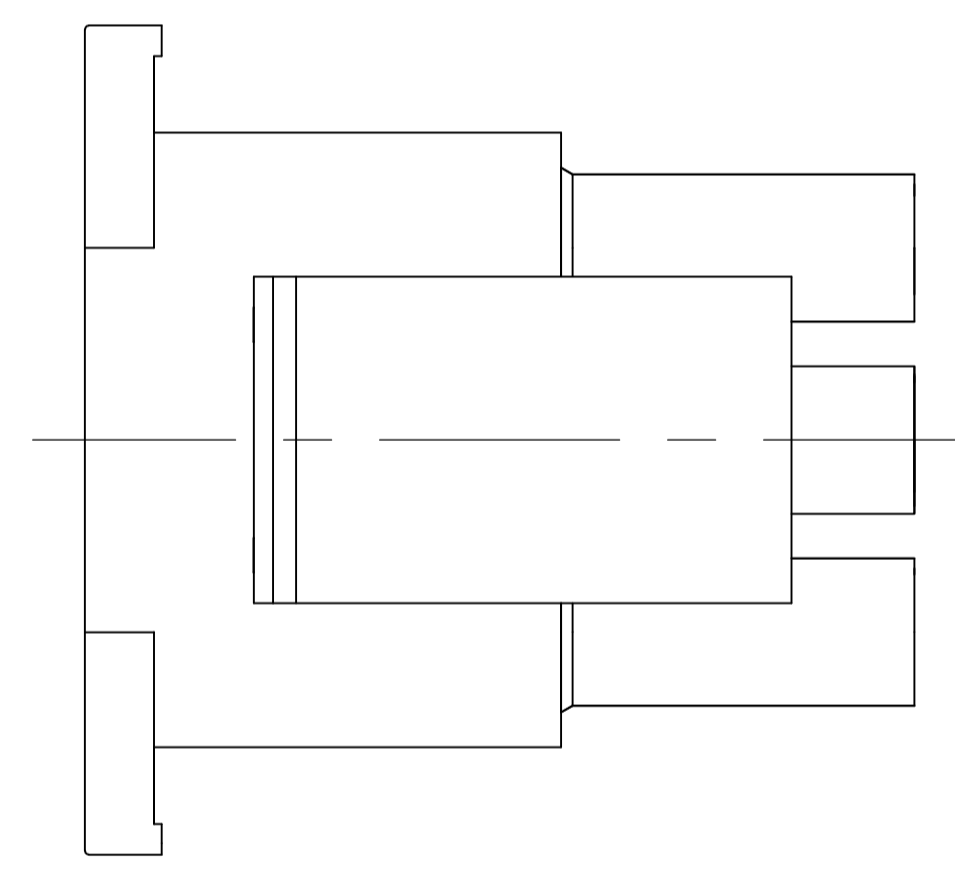
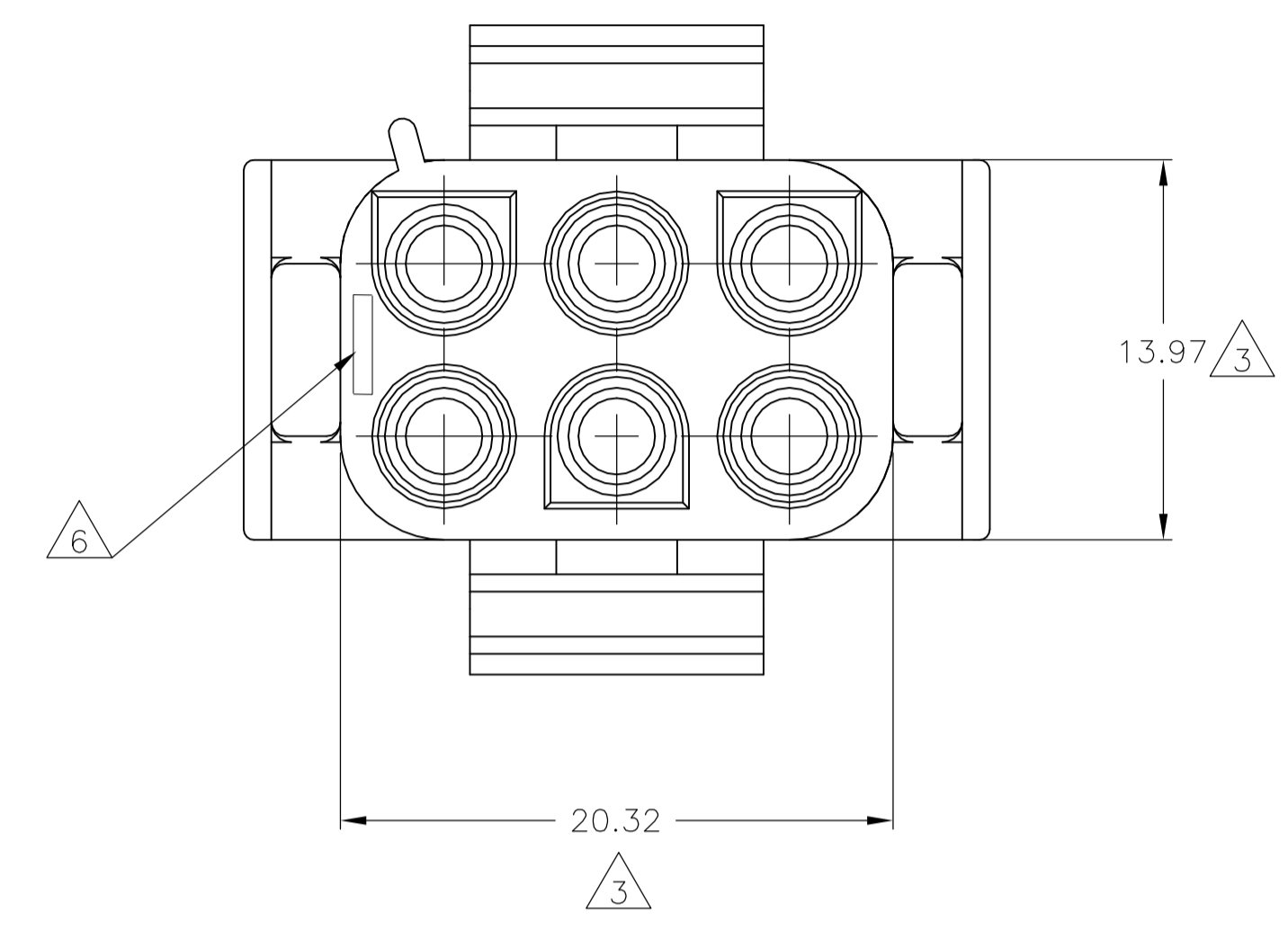
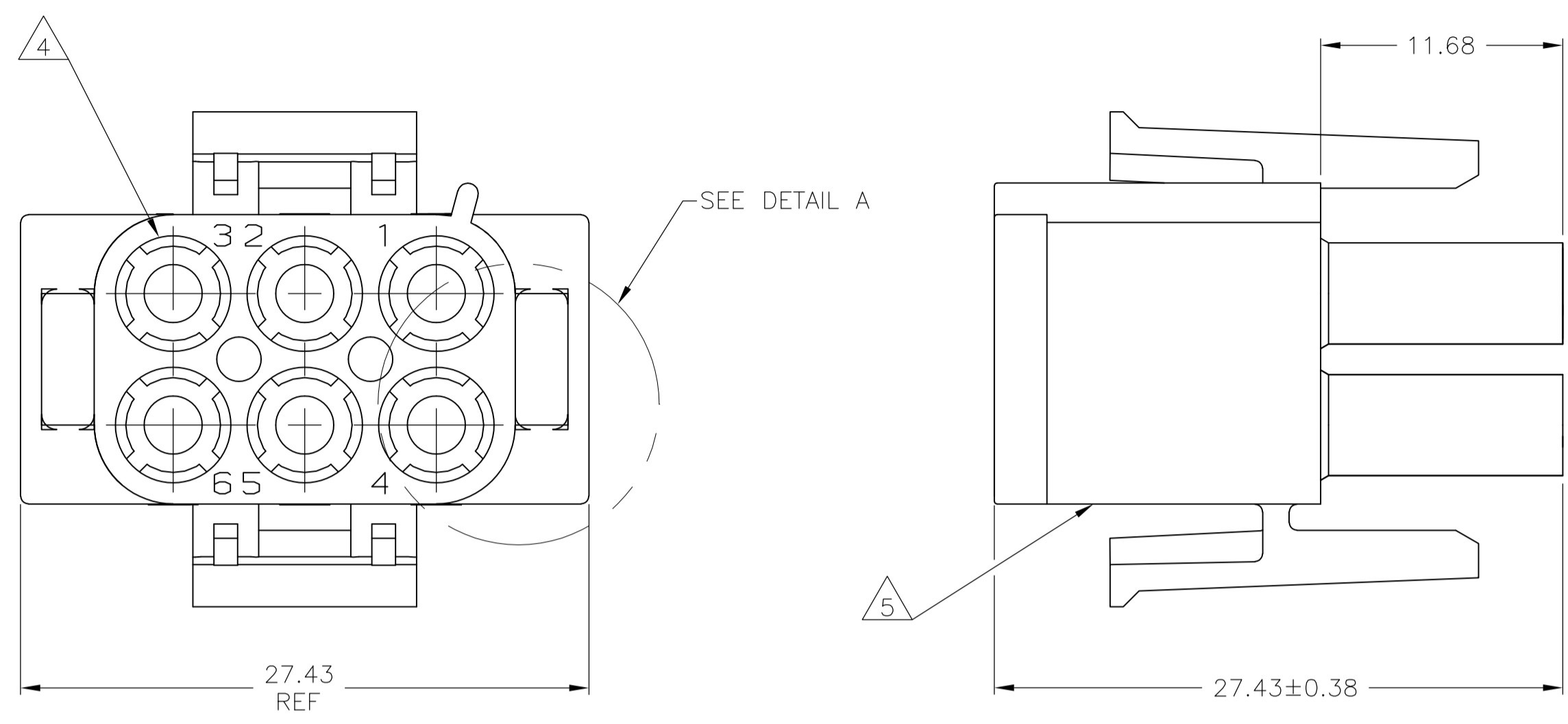


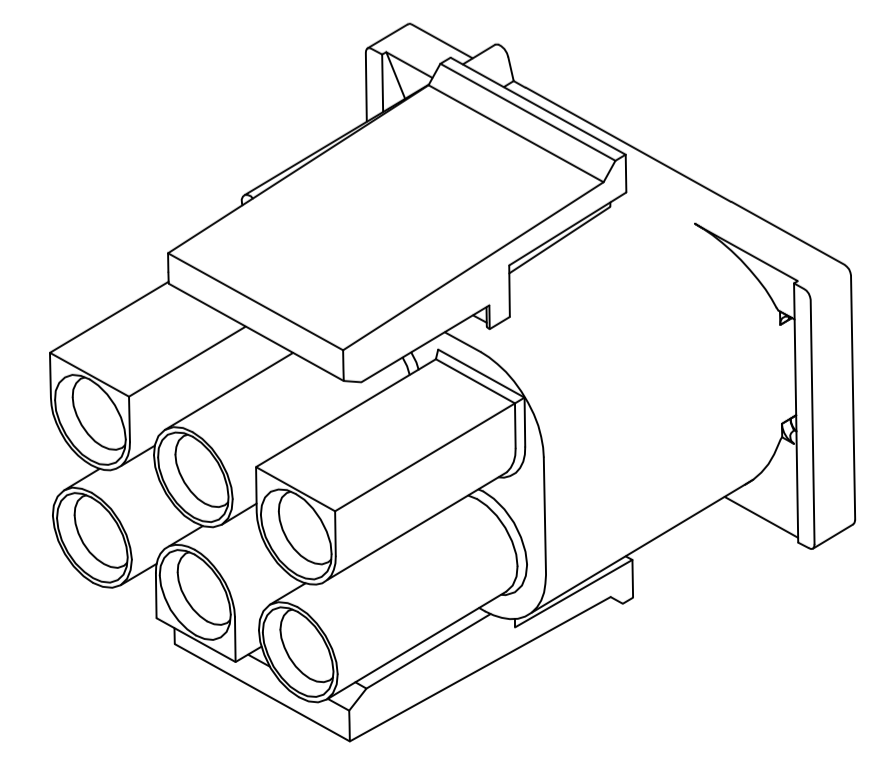
LOC		DIST		REVISIONS			
CM	00	REV	PER	DESCRIPTION	DATE	DMN	APVD
B		REV PER	ECR	10-018921	13SEPT10	JR	TM



- MATES WITH APPROPRIATE UNIVERSAL MATE-N-LOK™ CAP OR HEADER.
- SMALL NICKS ARE PERMITTED ON THE CIRCUIT TOWERS WHICH COULD INCREASE THE INITIAL HOUSING MATING FORCE BY UP TO 4.4 NEWTONS [1.0 LBS]. NO INDIVIDUAL NICKED TOWER SHALL INCREASE THIS FORCE BY OVER 2.2 NEWTONS [.5 LBS].
- MANUFACTURING LOCATION ID ON SIDE OF HOUSING (OPTIONAL).
- FOUR RIBS EQUALLY SPACED, NO SPECIFIC ORIENTATION. NO RIBS OR SIX RIBS EQUALLY SPACED, NO SPECIFIC ORIENTATION, OPTIONAL.
- UNDERWRITERS RECOGNIZED COMPONENT LOGO AND CSA CERTIFICATION LOGO TO BE LOCATED ONCE EACH ON SIDE OF HOUSING.
- TRADEMARK LOCATION (AMP OR TYCO).
- FLAMMABILITY V2 FOR THICKNESS 0.38mm, 1.5mm, and 3.0mm PER IEC 60695-11-10.
- GLOW-WIRE FLAMMABILITY (GWFI) 800°C FOR THICKNESS 0.38mm AND 0.75mm PER IEC 60695-2-12.
- GLOW-WIRE FLAMMABILITY (GWFI) 960°C FOR THICKNESS 1.5mm AND 3.0mm PER IEC 60695-2-12.
- GLOW-WIRE IGNITION (GWIT) 825°C FOR THICKNESS 0.38mm, 0.75mm, 1.5mm AND 3.0mm PER IEC 60695-2-13.

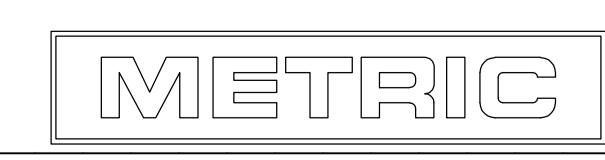
MM	IN
27.43	1.080
20.32	.800
13.97	.550
11.68	.460
3	.118
0.4	.016
0.38	.015
0.13	.005

CONVERSION TABLE



3-DIMENSIONAL MODEL NTS

DETAIL A
OPTIONAL CONSTRUCTIONS



THIS DRAWING IS A CONTROLLED DOCUMENT.		DIN K. WHITAKER 22MAY2007	Tyco Electronics Corporation Harrisburg, PA 17105-3608	
DIMENSIONS: mm		CHK D. COLEY 22MAY2007	NAME D. COLEY 22MAY2007	
TOLERANCES UNLESS OTHERWISE SPECIFIED:		PRODUCT SPEC		
0 PLC	± -	APPLICATION SPEC		
1 PLC	± -	SIZE		
2 PLC	± 0.13	CASE CODE		
3 PLC	± -	DRAWING NO		
4 PLC	± -	RESTRICTED TO		
ANGLES	± 0°30'	WEIGHT		
MATERIAL NYLON,UL 94V-2	FINISH -	A1 00779 C=1586846		
CUSTOMER DRAWING		SCALE 4:1 SHEET 1 OF 1 REV B		

NATURAL	1586846-1
COLOR	PART NUMBER