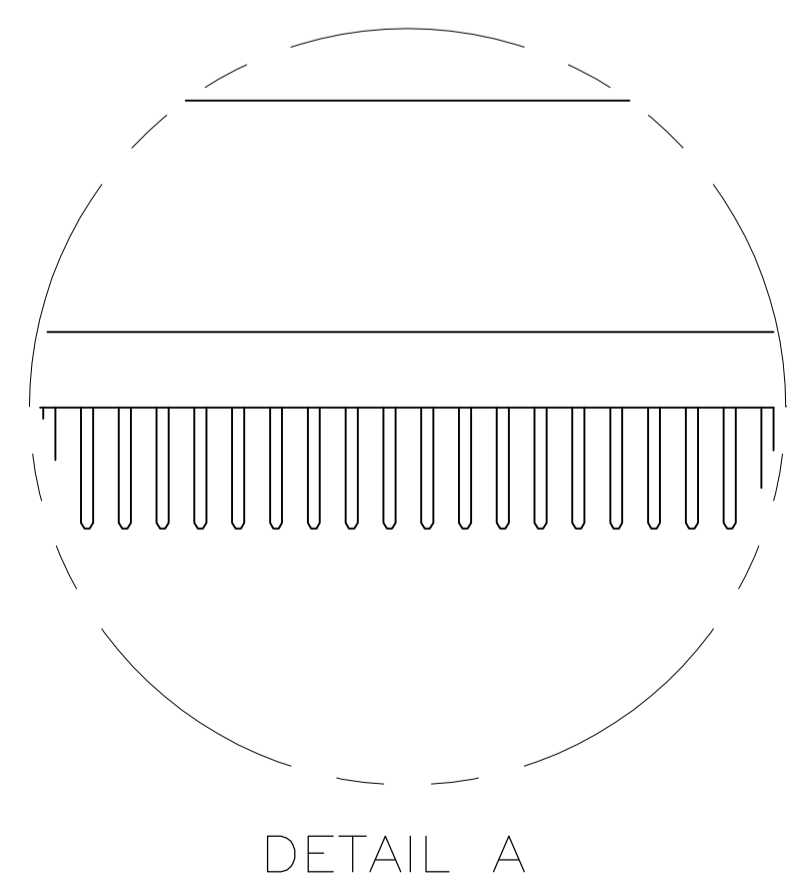
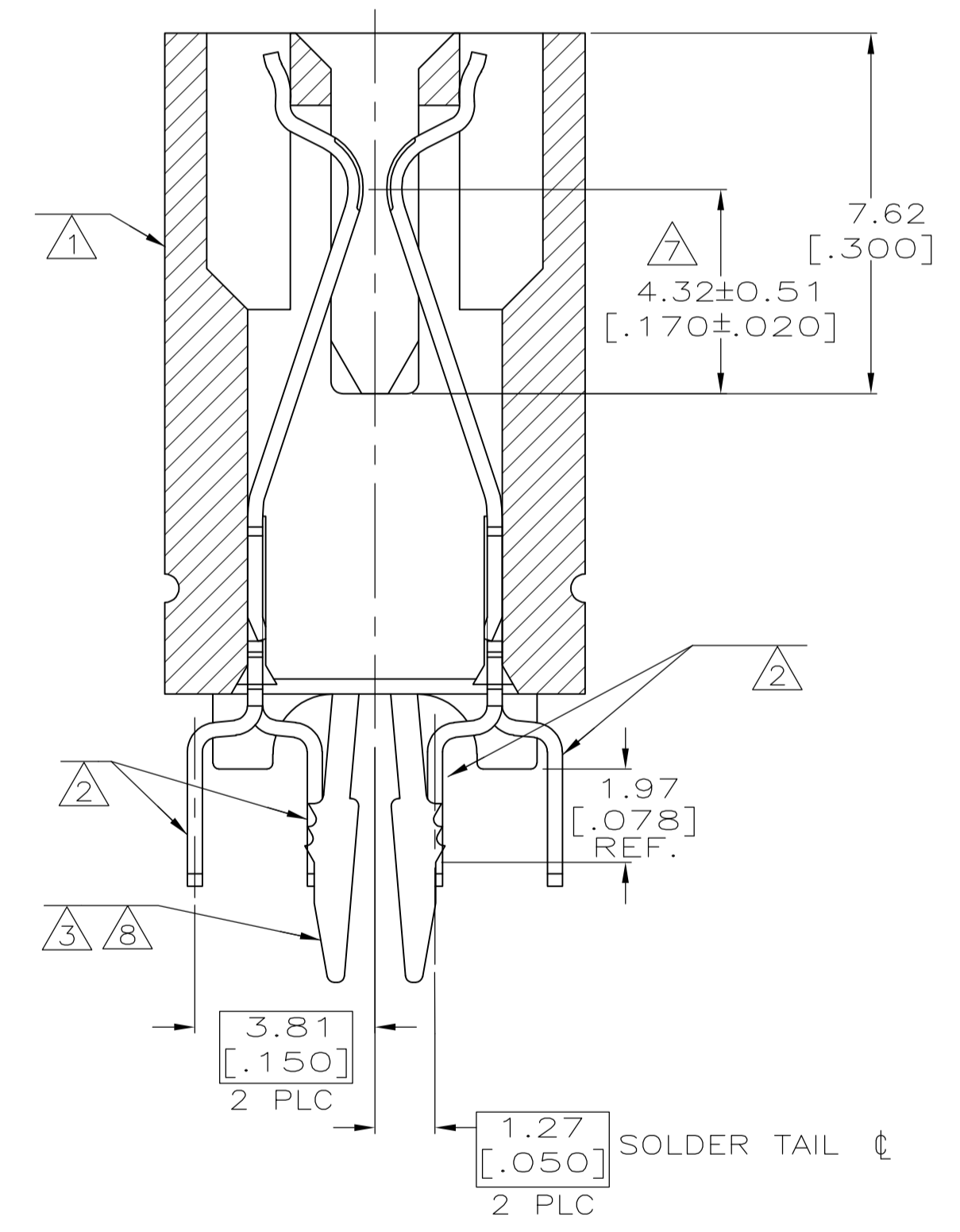


SEE SHEET 2 FOR HOLE PATTERN



DETAIL A

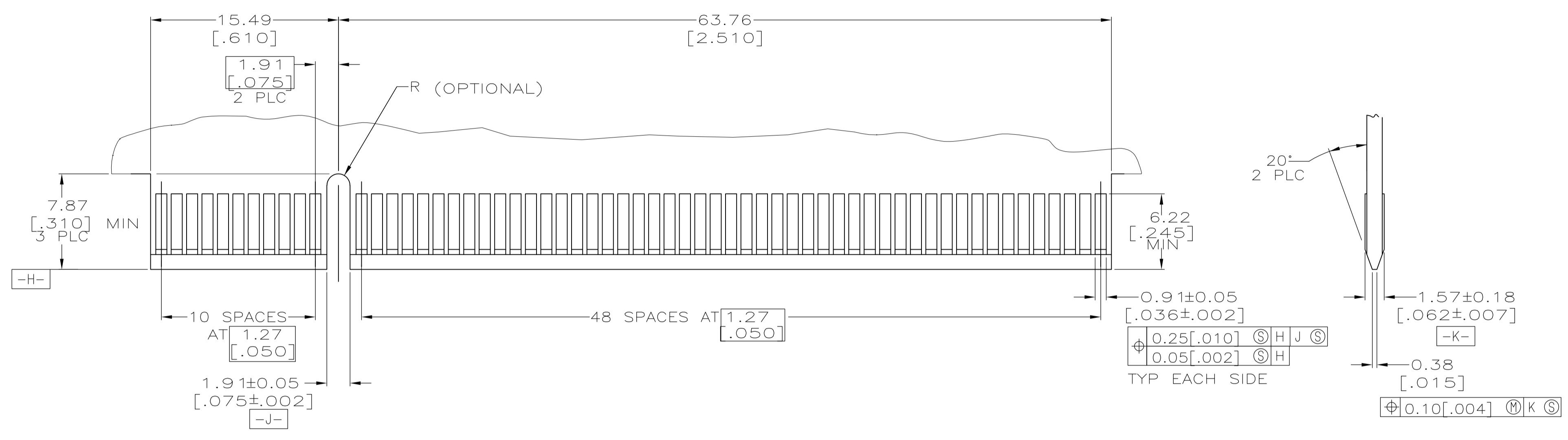
- ① HOUSING: HIGH TEMPERATURE THERMOPLASTIC. COLOR - NATURAL
- ② CONTACT: PHOSPHOR BRONZE.
- ③ METAL HOLD DOWN: BRASS
- ④ CONTACT FINISH: .001269[.000050] MIN NICKEL ALL OVER. GOLD FLASH OVER NICKEL IN CONTACT AREA. .002537[.000100] MIN MATTE TIN OVER NICKEL ON SOLDER TAILS.
- ⑤ CONTACT FINISH: .001269[.000050] MIN NICKEL ALL OVER. .000375[.000015] GOLD OVER NICKEL IN CONTACT AREA. .002537[.000100] MIN MATTE TIN OVER NICKEL ON SOLDER TAILS.
- ⑥ CONTACT FINISH: .001269[.000050] MIN NICKEL ALL OVER. .000757[.000030] GOLD OVER NICKEL IN CONTACT AREA. .002537[.000100] MIN MATTE TIN OVER NICKEL ON SOLDER TAILS.
- ⑦ DISTANCE FROM CONTACT POINT TO BOTTOM OF CARD SLOT.
- ⑧ METAL HOLD DOWN FINISH: .001269[.000050] MIN NICKEL ALL OVER. .003809[.000150] MIN MATTE TIN ALL OVER.
- ⑨ AMP PART NUMBER, DATE CODE AND CSA LOGO MARKED IN APPROXIMATE LOCATION SHOWN.
- ⑩ CORED OR SOLID SIDE WALLS ARE AT DISCRETION OF AMP INCORPORATED.
- ⑪ OBSOLETE PARTS: OBSOLETE CIS STREAMLINING PER D.RENAUD/D.SINISI



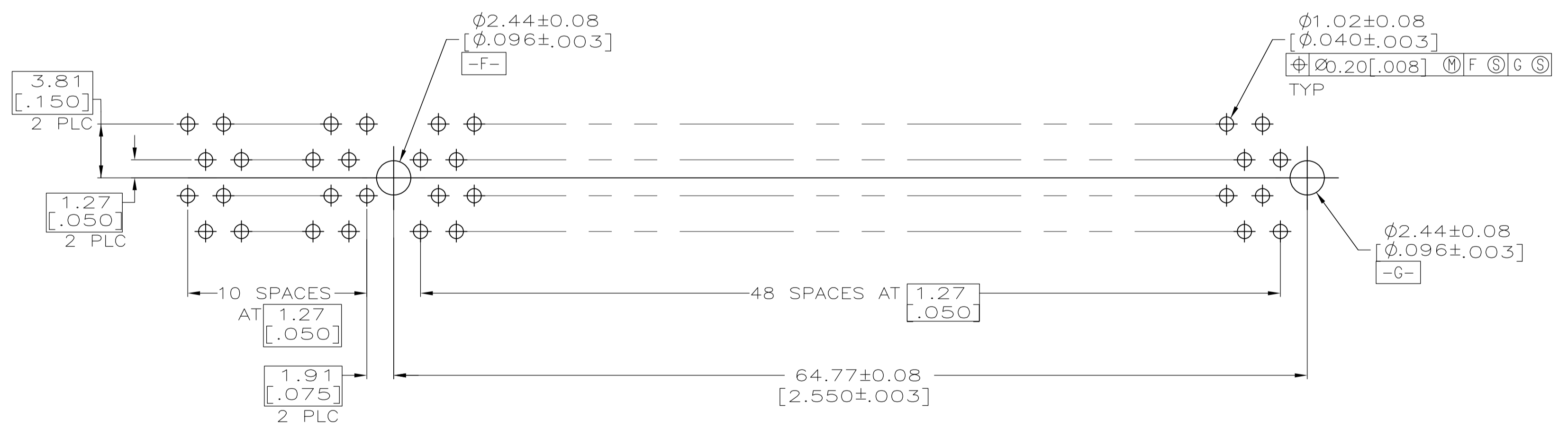
SECTION L-L  
SCALE 8:1

OBSOLETE	4.70 [.185]	①	1-5145167-3
	3.56 [.140]	①	1-5145167-2
	3.18 [.125]	①	5145167-8
	2.54 [.100]	①	5145167-4
OBSOLETE	2.54 [.100]	①	5145167-3
① OBSOLETE	2.54 [.100]	①	5145167-2
① OBSOLETE	2.54 [.100]	①	5145167-1

THIS DRAWING IS A CONTROLLED DOCUMENT.		DIN AL FRANTUM 11 APR 05		STE TE Connectivity	
DIMENSIONS: mm		TOLERANCES UNLESS OTHERWISE SPECIFIED:		NAME	
<ul style="list-style-type: none"> <li>0 PLC ± -</li> <li>1 PLC ± -</li> <li>2 PLC ± 0.25 [.01]</li> <li>3 PLC ± 0.127 [.005]</li> <li>4 PLC ± -</li> <li>ANGLES ± ±</li> </ul>		PRODUCT SPEC 108-14034 APPLICATION SPEC 114-26012		CONNECTOR ASSEMBLY, 60 DUAL POSITION, 1.27 [.050] SERIES, STANDARD EDGE	
MATERIAL ①②③		FINISH ④⑤⑥		RESTRICTED TO	
CUSTOMER DRAWING		SCALE 4:1		SHEET 1 OF 2 REV D2	



RECOMMENDED MATING BOARD EDGE CONFIGURATION



RECOMMENDED CONNECTOR MOUNTING HOLE PATTERN (CONNECTOR SIDE SHOWN)

THIS DRAWING IS A CONTROLLED DOCUMENT.		DMN: AL FRANTUM 11 APR 05	TE Connectivity
DIMENSIONS: mm		CHK: AL FRANTUM 11 APR 05	
TOLERANCES UNLESS OTHERWISE SPECIFIED:		APVD: -	NAME: CONNECTOR ASSEMBLY, 60 DUAL POSITION, 1.27 [.050] SERIES, STANDARD EDGE
0 PLC ± -	1 PLC ± -	PRODUCT SPEC: 108-14034	SIZE: A1
2 PLC ± 0.25 [.01]	3 PLC ± 0.127 [.005]	APPLICATION SPEC: 114-26012	CAGE CODE: 00779
4 PLC ± -	ANGLES ± -	WEIGHT: -	DRAWING NO: 5145167
MATERIAL: SEE SHEET 1	FINISH: SEE SHEET 1	CUSTOMER DRAWING	RESTRICTED TO: -
		SCALE: 4:1	SHEET 2 OF 2
			REV: D2