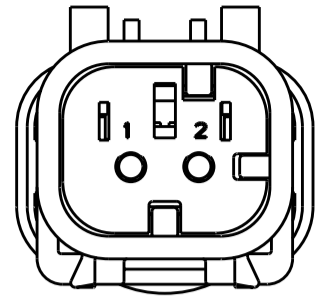
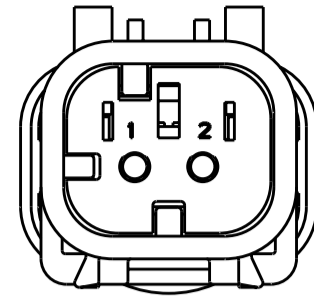


THIS DRAWING IS UNPUBLISHED. RELEASED FOR PUBLICATION
 © COPYRIGHT 20 BY - ALL RIGHTS RESERVED.

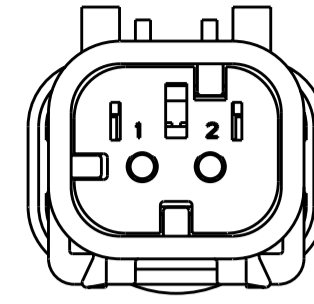
LOC	DIST	REVISIONS					
GE	00	P	LTR	DESCRIPTION	DATE	DWN	APVD
		D3		REVISED PER ECO-11-005030	11MAR2011	RK	HMR



776428-2
SCALE 2:1
KEY B



776428-3
SCALE 2:1
KEY C



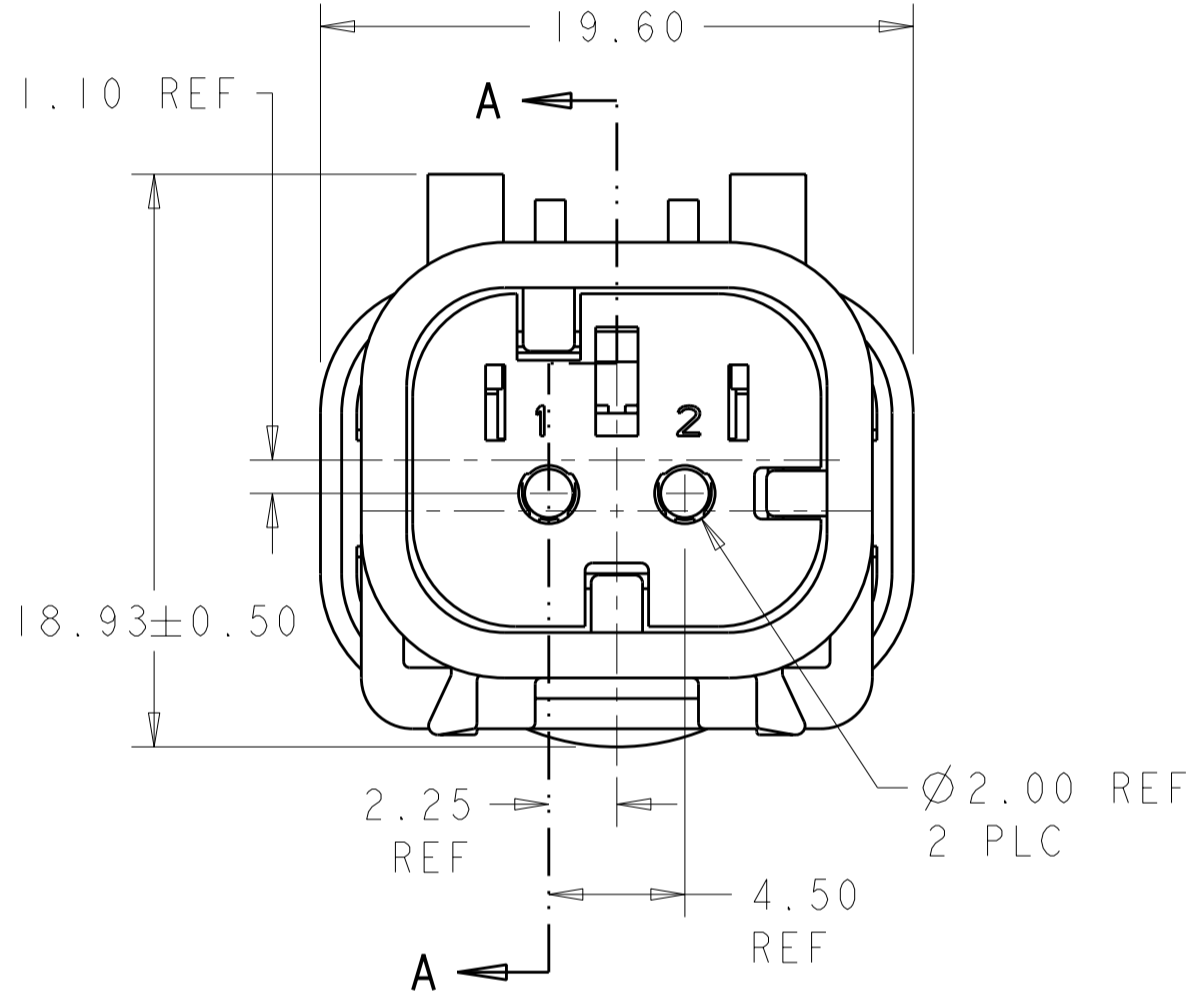
776428-4
SCALE 2:1
KEY D

1 MATERIAL: 15% GLASS FILLED THERMOPLASTIC
COLOR: BLACK

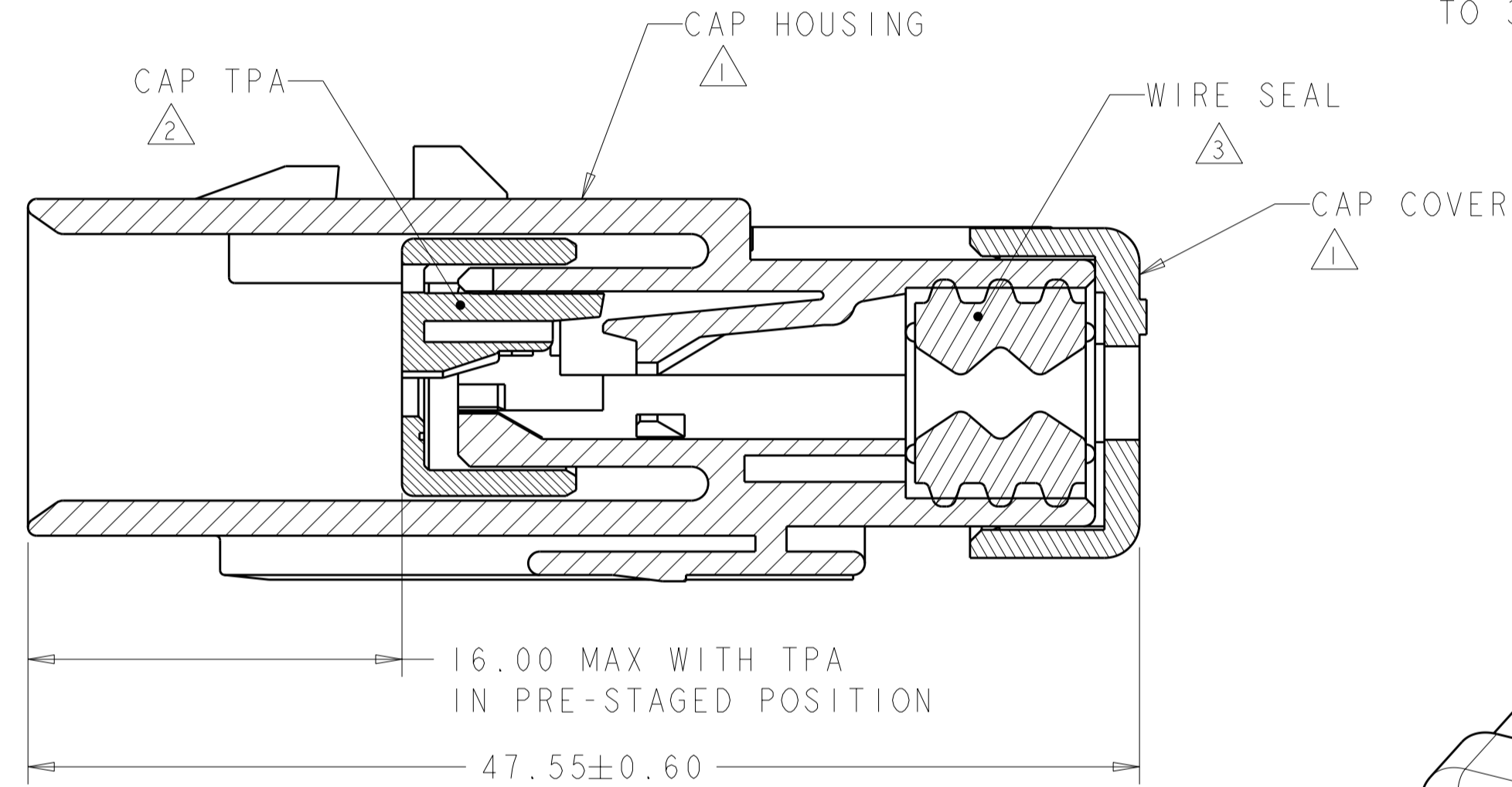
2 MATERIAL: 15% GLASS FILLED THERMOPLASTIC
COLOR: (SEE TABLE)

3 MATERIAL: SILICONE
COLOR: RED

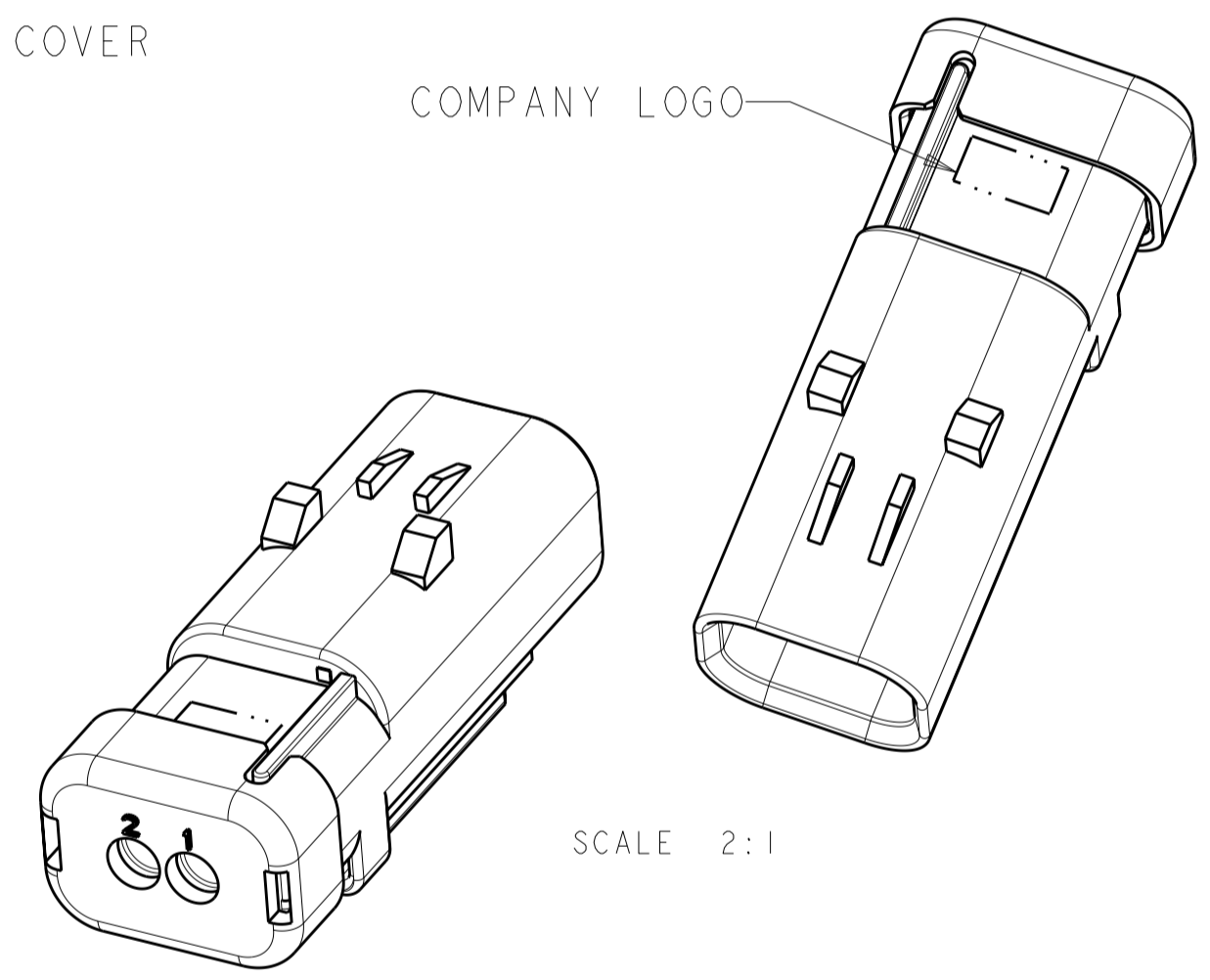
4. RECOMMENDED WIRE DIAMETER RANGE IS 2.18 TO 3.67mm.



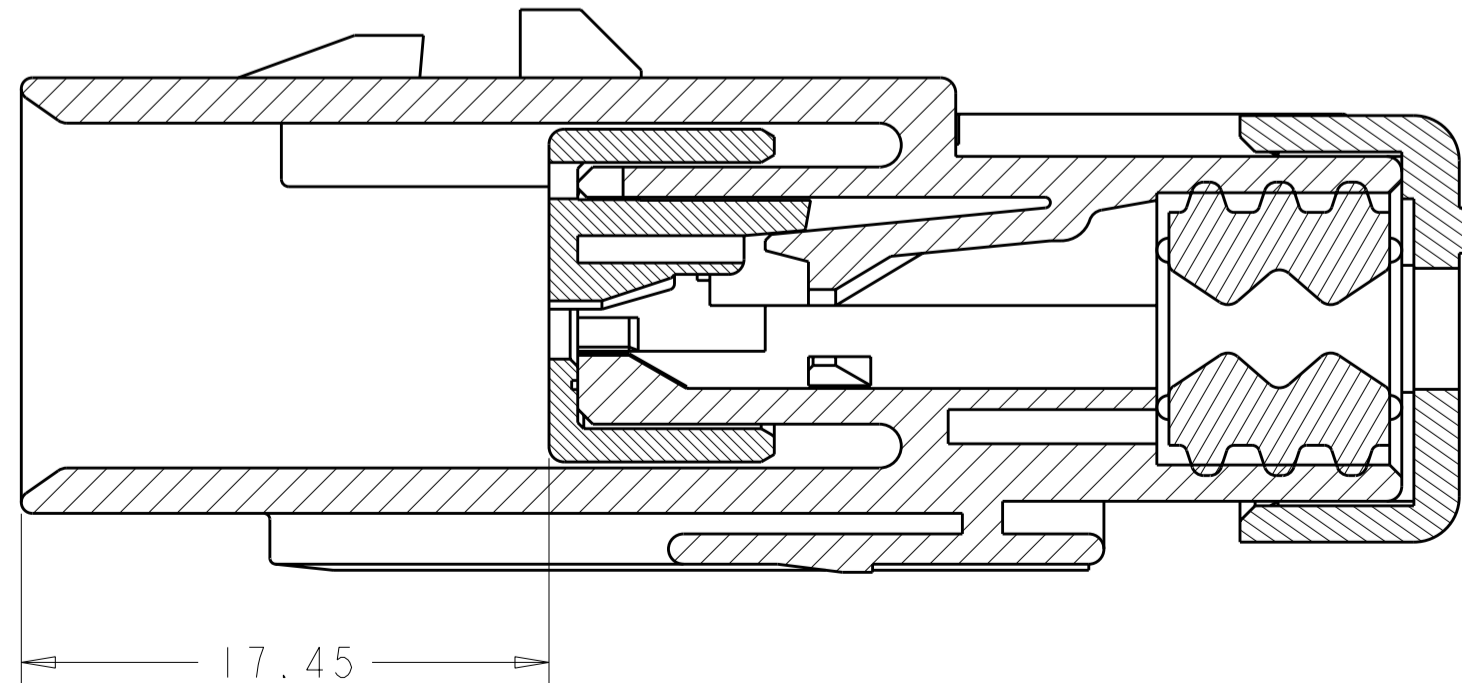
776428-1 SHOWN
KEY A



SECTION A-A



SCALE 2:1



SECTION A-A
WITH TPA IN CLOSED POSITION

GREEN	776428-4
YELLOW	776428-3
GRAY	776428-2
RED	776428-1
TPA COLOR	PART NUMBER

THIS DRAWING IS A CONTROLLED DOCUMENT.		DWN Y. PETERSON 22FEB00	TE Connectivity	
DIMENSIONS: mm		CHK R. GREINER 11DEC01		
TOLERANCES UNLESS OTHERWISE SPECIFIED:		APVD M. TRULLI 11DEC01	NAME CAP ASSEMBLY, 2 POSITION, SINGLE ROW, AMPSEAL 16	
0 PLC ±		PRODUCT SPEC 108-2184	SIZE A200779	
1 PLC ±		APPLICATION SPEC 114-13065	DRAWING NO C-776428	
2 PLC ±		WEIGHT 9±1g	RESTRICTED TO -	
3 PLC ±		CUSTOMER DRAWING	SCALE 4:1	
4 PLC ±			SHEET 1 OF 1	
ANGLES ±			REV D3	
FINISH				