

## Description

The AL1672 is a high performance single stage Buck convertor, targeting dimmable LED lighting application. It is operating at BCM mode which results in good EMI and efficiency.

The AL1672 can support multiple dimming modes. When a 0.3~2.4V DC signal is applied on APWM pin, the device will operate in analog dimming mode. When a digital signal is applied on APWM pin, the device works at PWM dimming mode.

The AL1672 features low start-up current and low operation current. It integrates multiple protections including over voltage, short circuit, over current and over temperature protection. It also integrates 600V/4A high voltage MOSFET.

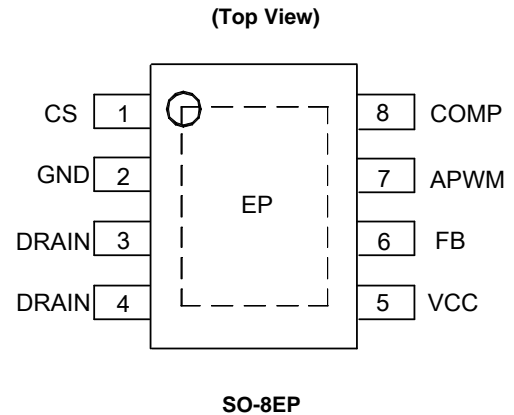
The AL1672 is available in SO-8EP package.

## Features

- Valley Switching for Low Switching Loss
- Low Start-Up Current
- High PF and Low THD
- High Efficiency
- Tight LED Current Variation Range
- Tight Output Open Voltage Variation Range
- Integrates 600V/4A MOSFET
- Support Both PWM Dimming and Analog Dimming
  - PWM Dimming Range:3% to 100% at 1kHz PWM Frequency
  - Analog Dimming and PWM-to-DC Dimming Range:18% to 100%
- Internal Protections
  - Under Voltage Lock Out (UVLO)
  - Output Over Voltage Protection (OVP)
  - Output Short Protection (OSP)
  - Over Current Protection (OCP)
  - Thermal Fold-Back Protection (TFP)
  - Over Temperature Protection (OTP)
- Low System Cost
- Package: SO-8EP
- **Totally Lead-Free & Fully RoHS Compliant (Notes 1 & 2)**
- **Halogen and Antimony Free. "Green" Device (Note 3)**

Notes: 1. No purposely added lead. Fully EU Directive 2002/95/EC (RoHS) & 2011/65/EU (RoHS 2) compliant.  
 2. See [http://www.diodes.com/quality/lead\\_free.html](http://www.diodes.com/quality/lead_free.html) for more information about Diodes Incorporated's definitions of Halogen- and Antimony-free, "Green" and Lead-free.  
 3. Halogen- and Antimony-free "Green" products are defined as those which contain <900ppm bromine, <900ppm chlorine (<1500ppm total Br + Cl) and <1000ppm antimony compounds.

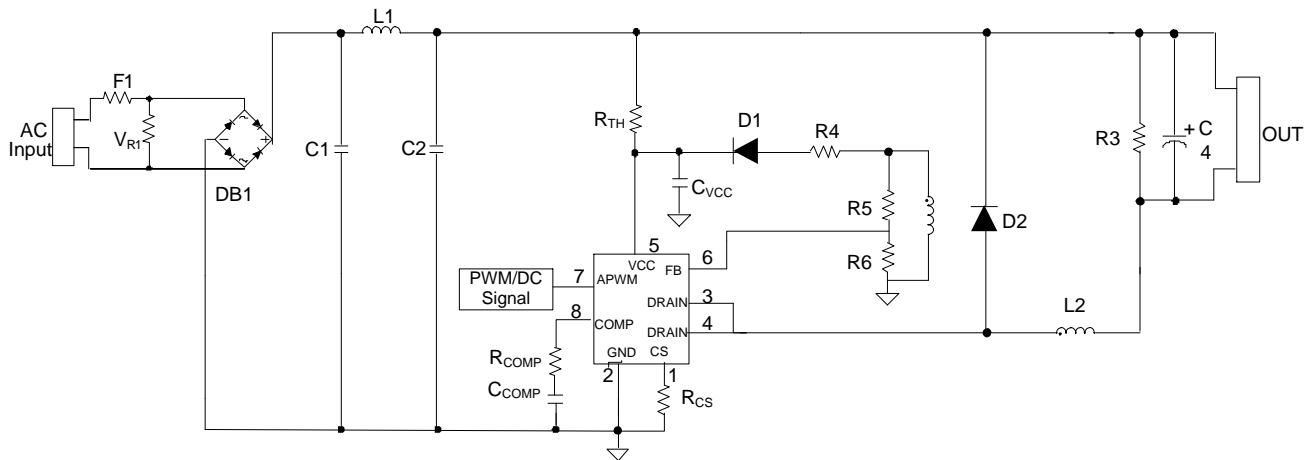
## Pin Assignments



## Applications

- General LED Lighting Driver with Dimming Function
- General Purpose Constant Current Source
- Smart LED Lighting

**Typical Applications Circuit**



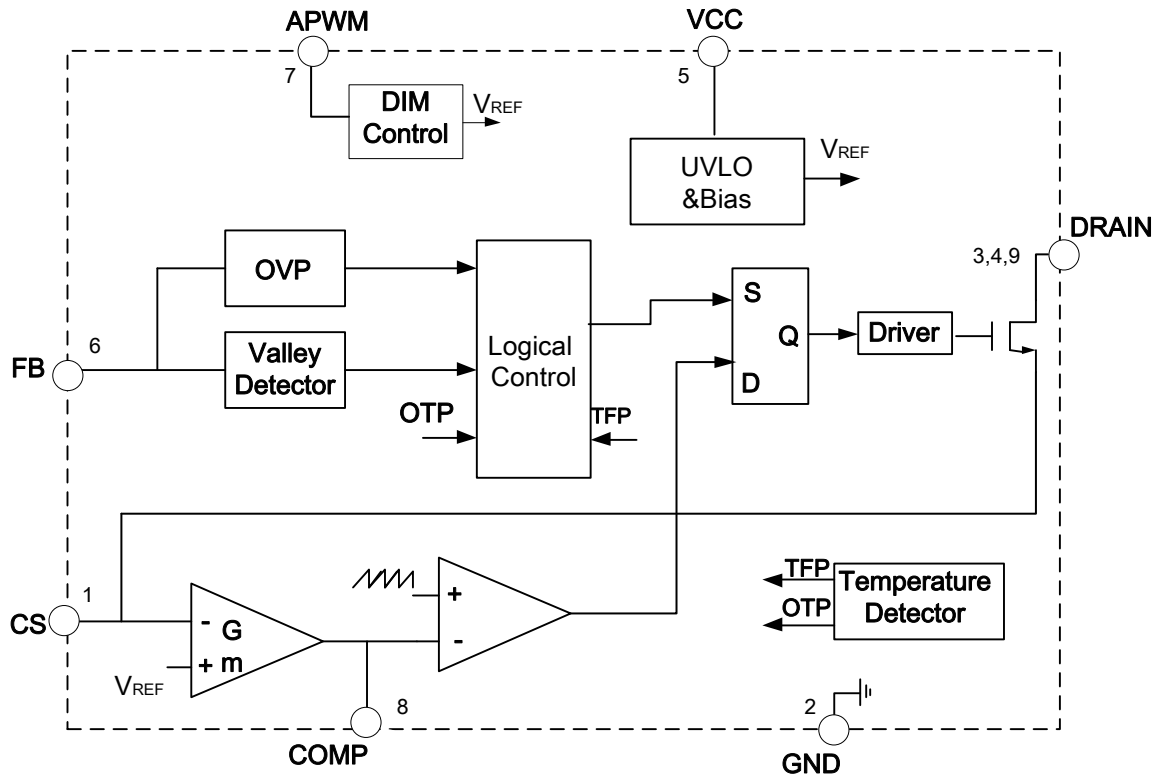
AL1672 BUCK Application Circuit

**Pin Descriptions**

Pin Number	Pin Name	Function
1	CS	Current sense pin, connect this pin to the source of the primary switch
2	GND	Ground
3,4	DRAIN	Drain of internal MOS
5	VCC	Supply voltage of gate driver and control circuits of the IC
6	FB	The feedback voltage sensing from the auxiliary winding
7	APWM	Analog dimming input pin or PWM signal input pin in PWM dimming mode
8	COMP	Loop compensation pin
9	Exposed Pad	Drain of internal MOS

NEW PRODUCT

**Functional Block Diagram**



AL1672 Block Diagram

NEW PRODUCT

### Absolute Maximum Ratings (@T<sub>A</sub> = +25°C, unless otherwise specified.) (Note 4)

Symbol	Parameter	Rating	Unit
V <sub>CC</sub>	Power Supply Voltage	-0.3 to 30	V
V <sub>CS</sub>	Voltage at CS to GND	-0.3 to 7	V
V <sub>FB</sub>	FB Input Voltage	-0.3 to 7	V
V <sub>COMP</sub>	Loop Compensation Pin	-0.3 to 7	V
V <sub>DRAIN</sub>	Drain Voltage of Internal MOS	600	V
I <sub>DS</sub>	Continuous Drain Current T <sub>C</sub> = +25°C	4	A
V <sub>APWM</sub>	Voltage at APWM to GND	-0.3 to 7	V
T <sub>J</sub>	Operating Junction Temperature	-40 to +150	°C
T <sub>STG</sub>	Storage Temperature	-65 to +150	°C
T <sub>LEAD</sub>	Lead Temperature (Soldering, 10 sec)	+300	°C
P <sub>D</sub>	Power Dissipation at T <sub>A</sub> =+50°C (Note 5)	1.53	W
θ <sub>JA</sub>	Thermal Resistance (Junction to Ambient) (Note 5)	65	°C/W
θ <sub>JC</sub>	Thermal Resistance (Junction to Case) (Note 5)	22.4	°C/W
-	ESD (Human Body Model)	2000	V
	ESD (Machine Model)	200	V

- Notes:
- Stresses greater than those listed under "Absolute Maximum Ratings" may cause permanent damage to the device. These are stress ratings only, and functional operation of the device at these or any other conditions beyond those indicated under "Recommended Operating Conditions" is not implied. Exposure to "Absolute Maximum Ratings" for extended periods may affect device reliability. All voltages unless otherwise stated and measured with respect to GND.
  - Device mounted on 2"x2" FR-4 substrate PCB, 2oz copper, with minimum recommended pad layout.

### Recommended Operating Conditions (@T<sub>A</sub> = +25°C, unless otherwise specified.)

Symbol	Parameter	Min	Max	Unit
T <sub>A</sub>	Ambient Temperature (Note 6)	-40	+105	°C

- Note: 6. The device may operate normally at +125°C ambient temperature under the condition not trigger temperature protection.

**Electrical Characteristics** (@T<sub>A</sub> = +25°C, unless otherwise specified.)

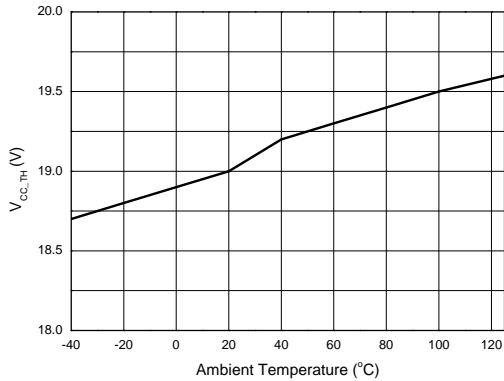
Symbol	Parameter	Condition	Min	Typ	Max	Unit
<b>UVLO Section</b>						
Startup Threshold Voltage	V <sub>CC_TH</sub>	–	17	18.5	20	V
Minimal Operating Voltage	V <sub>OPR_MIN</sub>	After Turn On	7	7.8	8.5	V
V <sub>CC</sub> OVP Voltage	V <sub>CC_OVP</sub>	–	25	27	29.9	V
<b>Standby Current Section</b>						
Startup Current	I <sub>ST</sub>	V <sub>CC</sub> = V <sub>CC_TH</sub> -0.5V, Before Start Up	–	0.8	–	μA
Operating Current	I <sub>CC</sub>	FB CS connect to GND, C <sub>GATE</sub> =100pF	–	1	–	mA
Shunt Current in OVP Mode	I <sub>CC_OVP</sub>	V <sub>CC</sub> >V <sub>CC_OVP</sub>	3	5	7	mA
<b>Switch Time Parameter</b>						
Maximum On Time	t <sub>ON_MAX</sub>	–	–	25	–	μs
Maximum Off Time	t <sub>OFF_MAX</sub>	–	–	35	–	μs
Minimum Off Time	t <sub>OFF_MIN</sub>	–	1	2	6	μs
Maximum Frequency	f <sub>MAX</sub>	–	120	150	230	kHz
<b>Internal CS Reference</b>						
Internal Reference Voltage	V <sub>REF</sub>	–	0.291	0.3	0.309	V
Primary Current Clamp Voltage	V <sub>CS_OCP</sub>	–	1.1	1.2	1.3	V
<b>Error Amplifier</b>						
G <sub>m</sub>	G <sub>m</sub> Trans-Conductance	–	10	16.7	22	μA/V
I <sub>SOURCE</sub>	Amplifier Source Current	–	7	10	15	μA
<b>Feedback Input Section</b>						
FB CV Threshold	V <sub>FB_CV</sub>	–	1.4	1.5	1.6	V
<b>APWM Section</b>						
PWM Dimming Low Threshold Voltage	V <sub>APWM_L</sub>	–	–	0.3	–	V
PWM Dimming High Threshold Voltage	V <sub>APWM_H</sub>	–	–	2.4	–	V
Linear Dimming Range on APWM	–	–	0.3	–	2.4	V
<b>Internal High Voltage MOSFET</b>						
R <sub>DS(ON)</sub>	Drain-Source on State Resistance	–	–	2	2.5	Ω
V <sub>DS</sub>	Drain-Source Break-Down Voltage	–	600	–	–	V
I <sub>DSS</sub>	Drain-Source Leakage Current	V <sub>DS</sub> = 600V ,V <sub>GS</sub> =0V	–	–	1	μA
<b>Thermal Fold-Back Section</b>						
Thermal Fold-Back Temperature (Note 7)	T <sub>REG</sub>	–	–	+145	–	°C
<b>Over Temperature Protection Section</b>						
Shutdown Temperature (Note 7&8)	–	–	–	+165	–	°C

Notes: 7. These parameters, although guaranteed by design, are not 100% tested in production.  
8. The device will latch when OTP happens and the device won't operate constantly at this temperature.

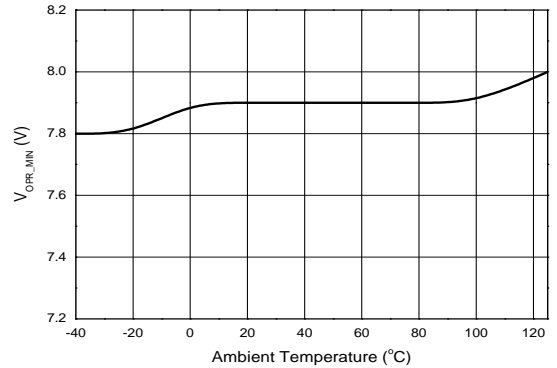
**Performance Characteristics** (Note 9)

NEW PRODUCT

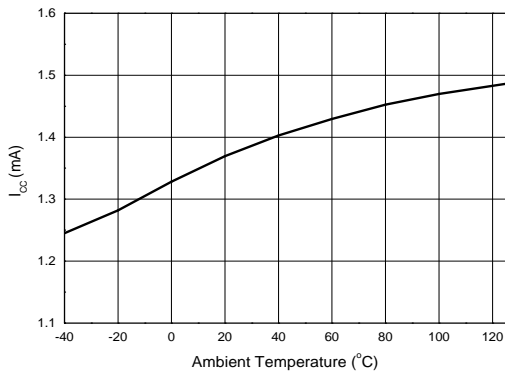
**Startup Threshold Voltage vs. Ambient Temperature**



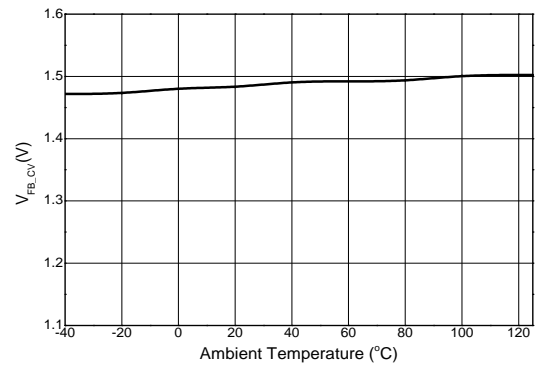
**Minimum Operating Voltage vs. Ambient Temperature**



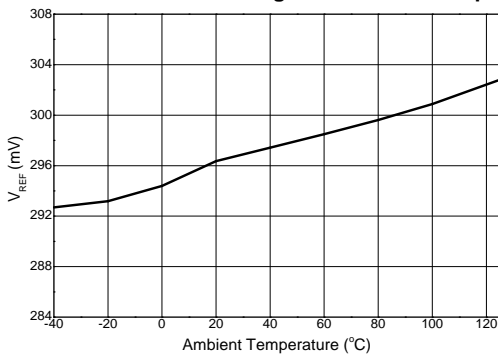
**Operating Current vs. Ambient Temperature**



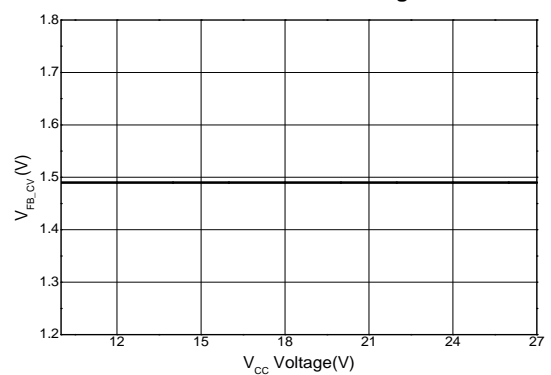
**FB CV Threshold vs. Ambient Temperature**



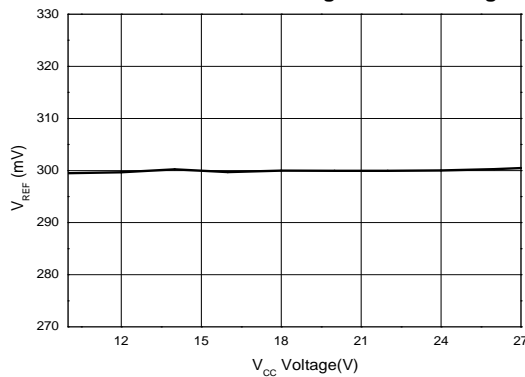
**Internal Reference Voltage vs. Ambient Temperature**



**FB CV Threshold vs. Vcc Voltage**



**Internal Reference Voltage vs. Vcc Voltage**



Note: 9. These electrical characteristics are tested under DC condition. The ambient temperature is equal to the junction temperature of the device.



## Functional Description and Application Information (Cont.)

Where  $V_{OVP}$  is the output over voltage setting;  $R_5$  and  $R_6$  is shown as Figure.1, it is the resistor divider from auxiliary winding;

$N_{AUX}$  is the turns of L2 auxiliary winding;  $N_P$  is turns of L2 main winding.  $V_{CC\_OVP}$  is OVP Voltage of  $V_{CC}$ .

### 2. Output Short Protection (OSP)

When the output is shorted, the output voltage is clamped to zero. The output voltage of the auxiliary winding, which is proportional to the output winding, will drop down too. Once  $V_{CC}$  is below  $V_{OPR\_MIN}$ , the IC will shut down and power on again by the BUS voltage through the start up resistor.

### 3. Over Current Protection (OCP)

The AL1672 has a build-in cycle by cycle over current protection of primary inductor current. When CS pin voltage reaches the voltage  $V_{CS\_OCP}$ , switch will be turn off until next switch period. The maximum peak current ( $I_{PEAK(MAX)}$ ) of the inductor can be calculated as below:

$$I_{PEAK(MAX)} = \frac{V_{CS\_OCP}}{R_{CS}} \quad \text{----- (3)}$$

Where  $V_{CS\_OCP}$  means primary current clamp voltage that is 1.25V.

$R_{CS}$  is current sense resistor which is shown as figure1.

### 4. Thermal Fold-Back Protection (TFP)

The AL1672 has thermal fold-back function: it adopts self-adaptive control method which can prevent the system from breaking down caused by over temperature. The overheating temperature is set at +145°C. When the temperature of the IC is higher than this point; the device will decrease the voltage reference of the CS linearly till OTP happens. By this way, the device can limit system's input power at high ambient temperature, preventing system's temperature increase further.

### 5. Over Temperature Protection (OTP)

The AL1672 has build-in over temperature protection (OTP) function. When the temperature goes up to +165°C, the over temperature protection will be triggered, which leads to a latch mode protection. When OTP happens, the system need to be powered off and on again to restart.

### Output Constant-Current Control

According to the definition of mean output current, the mean output current can be obtained as below.

$$I_{O\_MEAN} = \frac{1}{\pi} \cdot \int_{\theta}^{\pi-\theta} \frac{1}{2} \cdot I_P \cdot dt \quad \text{----- (4)}$$

$$\theta = \arcsin \frac{V_O}{\sqrt{2} \cdot V_{IN\_RMS}} \quad \text{----- (5)}$$

Where  $I_{O\_MEAN}$  is the mean output current;  $I_P$  is the peak current of inductance;  $V_{IN\_RMS}$  is the rate input voltage;  $V_O$  is the output voltage;

It can be described by following formula:

$$V_{REF} = \frac{1}{\pi} \cdot \int_{\theta}^{\pi-\theta} I_P \cdot R_{CS} dt \quad \text{----- (6)}$$



**Functional Description and Application Information (Cont.)**

Where  $I_P$  is primary peak current of transformer;  $R_{CS}$  is current sense resistor which is shown as figure1.

$V_{REF}$  is internal reference voltage that is equal to 0.3V

According to these above formulas, the mean output current can be induced finally by below expressions.

$$I_{O\_MEAN} = \frac{V_{REF}}{2 \cdot R_{CS}} \quad \text{----- (7)}$$

Where  $I_{O\_MEAN}$  is the mean output current;  $R_{CS}$  is current sense resistor which is shown as figure1;  $V_{REF}$  is internal reference voltage that is equal to 0.3V; Therefore, the constant output current control can be realized with appropriate parameter design.

**Dimming Mode**

The AL1672 can support two dimming modes: analog dimming and PWM dimming.

**1. Analog Dimming Mode**

In analog dimming mode, the dimming signal is added to APWM pin directly to realize dimming function. The setting circuit is shown as figure 2. A capacitance of hundreds nF is recommended for  $C_{APWM}$ . When  $V_{APWM}$  is higher than 2.4V, the driver will output 100% of rated current; when the voltage  $V_{APWM}$  is in the range from 0.3 to 2.4V the output current will change linearly with the voltage  $V_{APWM}$ . When  $V_{APWM}$  is lower than 0.3V, switch will be turned off and the output current drops to zero. The dimming curve is shown as figure 3 and the dimming range is from 18% to 100%.

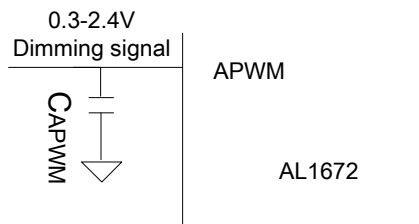


Figure 2: Analog Dimming Setting Circuit

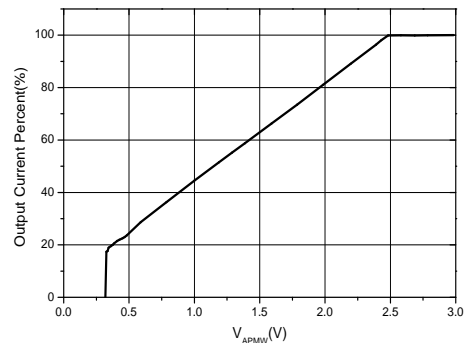


Figure 3: Analog Dimming Curve

**2. PWM Dimming Mode**

In PWM dimming mode, dimming signal will be added to APWM pin. The setting circuit is shown as figure 4. The output current is chopped by the dimming signal directly. The logic high level of the dimming signal need to be higher 2.4V while the logic low level is lower than 0.3V. Switch is turn off at logic low level. The dimming curve is shown as figure 5. The dimming range can be 100 to 1% with 1kHz frequency of PWM signal.

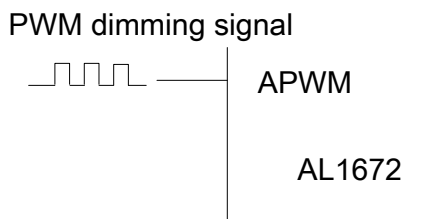


Figure 4: PWM Dimming Setting Circuit

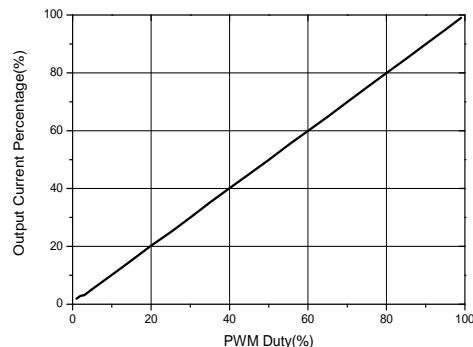


Figure 5: PWM Dimming Curve (PWM frequency is 1 KHz)

## Functional Description and Application Information (Cont.)

### Operation Parameters Design

#### Setting the Current Sense Resistor $R_{CS}$

The current sense resistance can be calculated as following:

$$R_{CS} = \frac{V_{REF}}{2 \cdot I_{O\_MEAN}} \quad \text{----- (8)}$$

Where  $I_{O\_MEAN}$  is the mean output current;  $R_{CS}$  is current sense resistor which is shown as figure1;

$V_{REF}$  is internal reference voltage that is equal to 0.3V;

#### Buck Inductance Selection (L2)

The switching frequency is not constant for the AL1672 due to boundary conduction mode. To set the minimum switching frequency  $f_{MIN}$  at the crest of the minimum AC input, primary inductance can be obtained by below formula.

$$L = \frac{\int_{\theta}^{\pi-\theta} (\sqrt{2} \cdot V_{IN\_MIN} \sin(t) - V_O) dt}{2\pi \cdot I_{O\_MEAN}} \cdot \frac{V_O}{\sqrt{2} \cdot V_{IN\_MIN} \cdot f_{MIN}} \quad \text{----- (9)}$$

Where  $V_{IN\_MIN}$  is the minimum input AC voltage;  $I_{O\_MEAN}$  is the mean output current;  $V_O$  is the output voltage;  $f_{MIN}$  is the minimum switching frequency at the crest of the minimum AC input;

For boundary conduction mode and constant on time method, the peak current of primary inductance can be calculated as below.

$$I_P = \frac{(\sqrt{2} \cdot V_{IN\_MIN} - V_O) \cdot V_O}{L \cdot \sqrt{2} \cdot V_{IN\_MIN} \cdot f_{MIN}} \quad \text{----- (10)}$$

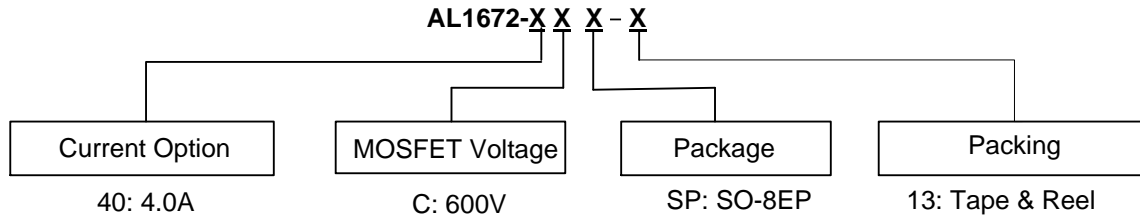
Where  $V_{IN\_MIN}$  is the minimum input AC voltage;  $I_P$  is the max peak current of inductance.  $V_O$  is the output voltage;  $f_{MIN}$  is the minimum switching frequency at the crest of the minimum AC input.

According to the Faraday's Law, the winding number of the inductance can be calculated by:

$$N_P = \frac{L_P \cdot I_P}{A_e \cdot B_m} \quad \text{----- (11)}$$

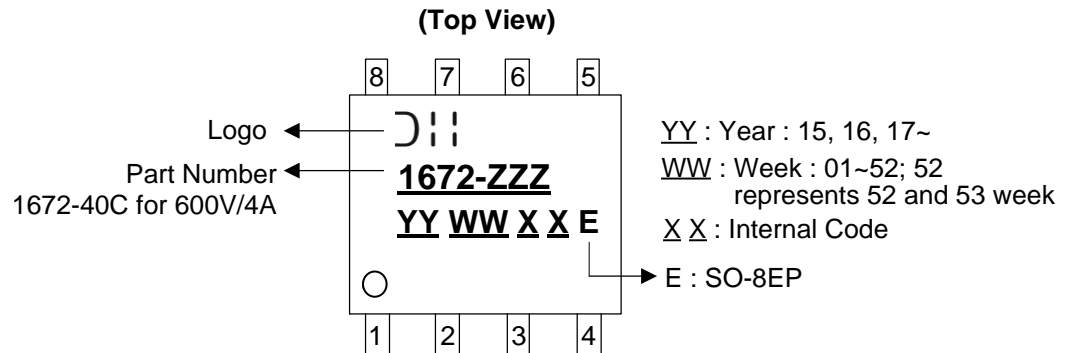
Where  $A_e$  is the core effective area.  $B_m$  is the maximum magnetic flux density.

**Ordering Information**



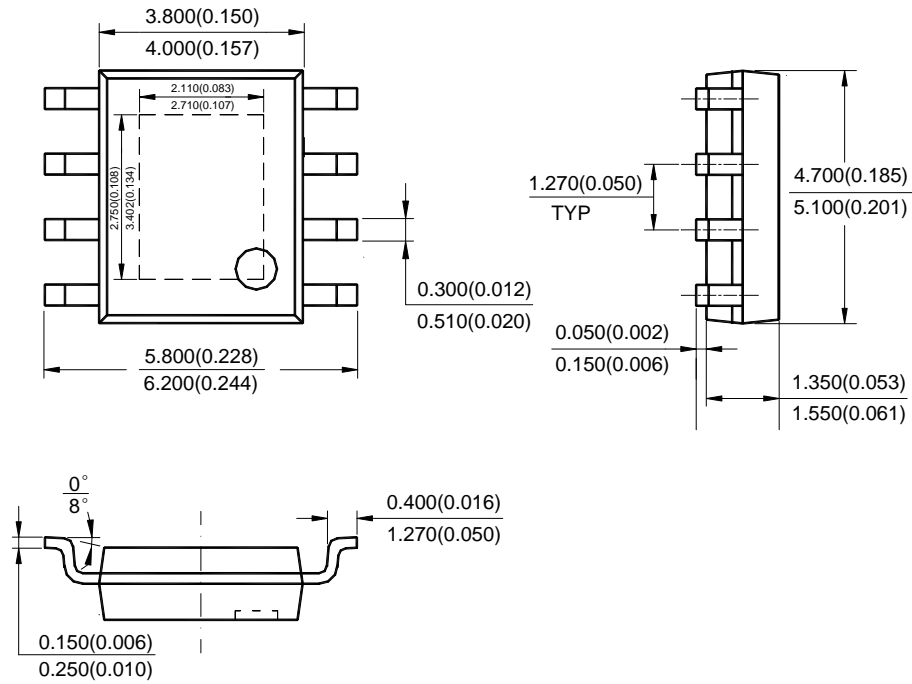
Part Number	Package Code	Package	13" Tape and Reel	
			Quantity	Part Number Suffix
AL1672-40CSP-13	SP	SO-8EP	2500/Tape & Reel	-13

**Marking Information**



**Package Outline Dimensions** (All dimensions in mm.)

(1) Package Type: SO-8EP

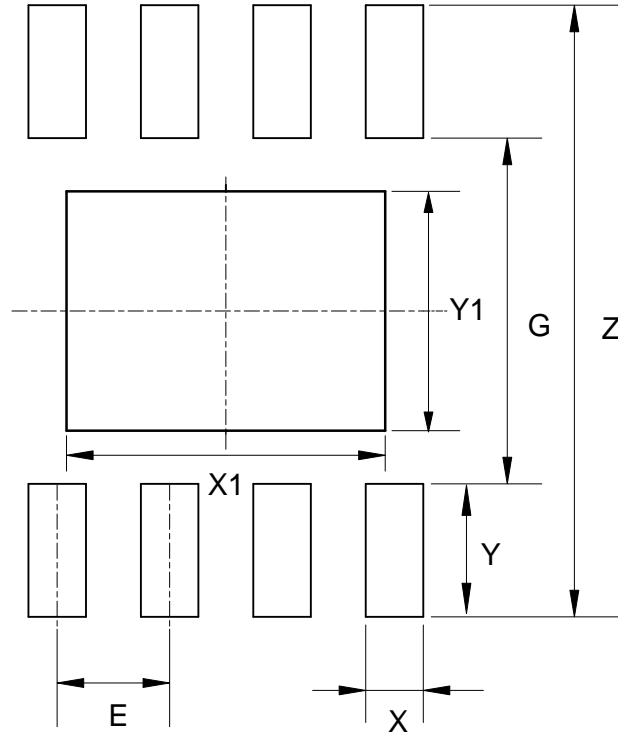


Note: Eject hole, oriented hole and mold mark is optional.

NEW PRODUCT

**Suggested Pad Layout**

(1) Package Type: SO-8EP



Dimensions	Z (mm)/(inch)	G (mm)/(inch)	X (mm)/(inch)	Y (mm)/(inch)	X1 (mm)/(inch)	Y1 (mm)/(inch)	E (mm)/(inch)
Value	6.900/0.272	3.900/0.154	0.650/0.026	1.500/0.059	3.600/0.142	2.700/0.106	1.270/0.050

NEW PRODUCT

### IMPORTANT NOTICE

DIODES INCORPORATED MAKES NO WARRANTY OF ANY KIND, EXPRESS OR IMPLIED, WITH REGARDS TO THIS DOCUMENT, INCLUDING, BUT NOT LIMITED TO, THE IMPLIED WARRANTIES OF MERCHANTABILITY AND FITNESS FOR A PARTICULAR PURPOSE (AND THEIR EQUIVALENTS UNDER THE LAWS OF ANY JURISDICTION).

Diodes Incorporated and its subsidiaries reserve the right to make modifications, enhancements, improvements, corrections or other changes without further notice to this document and any product described herein. Diodes Incorporated does not assume any liability arising out of the application or use of this document or any product described herein; neither does Diodes Incorporated convey any license under its patent or trademark rights, nor the rights of others. Any Customer or user of this document or products described herein in such applications shall assume all risks of such use and will agree to hold Diodes Incorporated and all the companies whose products are represented on Diodes Incorporated website, harmless against all damages.

Diodes Incorporated does not warrant or accept any liability whatsoever in respect of any products purchased through unauthorized sales channel. Should Customers purchase or use Diodes Incorporated products for any unintended or unauthorized application, Customers shall indemnify and hold Diodes Incorporated and its representatives harmless against all claims, damages, expenses, and attorney fees arising out of, directly or indirectly, any claim of personal injury or death associated with such unintended or unauthorized application.

Products described herein may be covered by one or more United States, international or foreign patents pending. Product names and markings noted herein may also be covered by one or more United States, international or foreign trademarks.

This document is written in English but may be translated into multiple languages for reference. Only the English version of this document is the final and determinative format released by Diodes Incorporated.

### LIFE SUPPORT

Diodes Incorporated products are specifically not authorized for use as critical components in life support devices or systems without the express written approval of the Chief Executive Officer of Diodes Incorporated. As used herein:

A. Life support devices or systems are devices or systems which:

1. are intended to implant into the body, or
2. support or sustain life and whose failure to perform when properly used in accordance with instructions for use provided in the labeling can be reasonably expected to result in significant injury to the user.

B. A critical component is any component in a life support device or system whose failure to perform can be reasonably expected to cause the failure of the life support device or to affect its safety or effectiveness.

Customers represent that they have all necessary expertise in the safety and regulatory ramifications of their life support devices or systems, and acknowledge and agree that they are solely responsible for all legal, regulatory and safety-related requirements concerning their products and any use of Diodes Incorporated products in such safety-critical, life support devices or systems, notwithstanding any devices- or systems-related information or support that may be provided by Diodes Incorporated. Further, Customers must fully indemnify Diodes Incorporated and its representatives against any damages arising out of the use of Diodes Incorporated products in such safety-critical, life support devices or systems.

Copyright © 2017, Diodes Incorporated

[www.diodes.com](http://www.diodes.com)