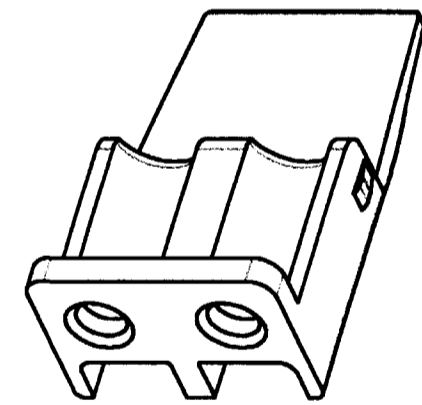
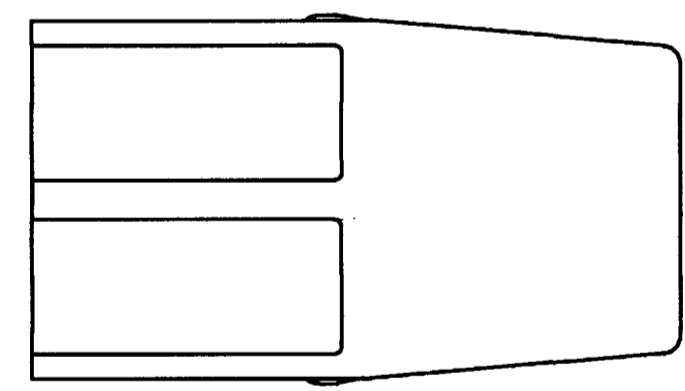
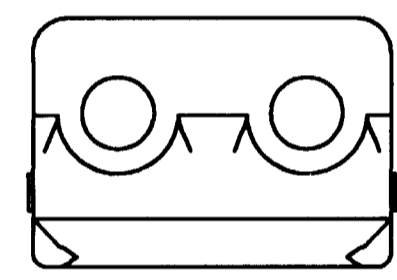
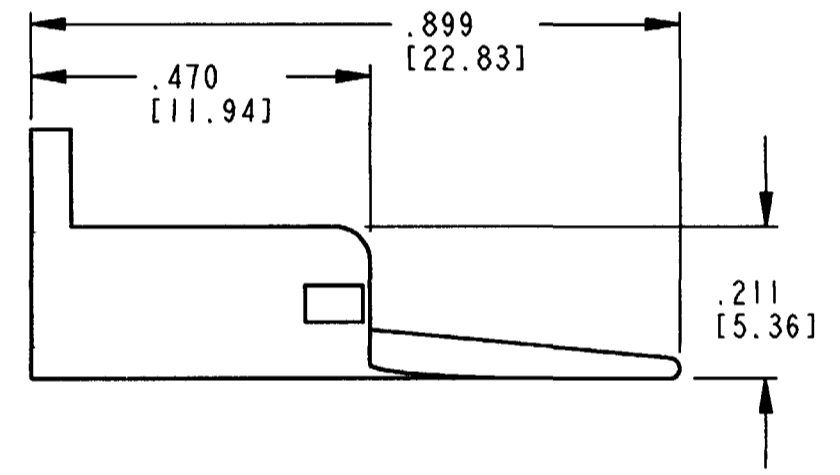
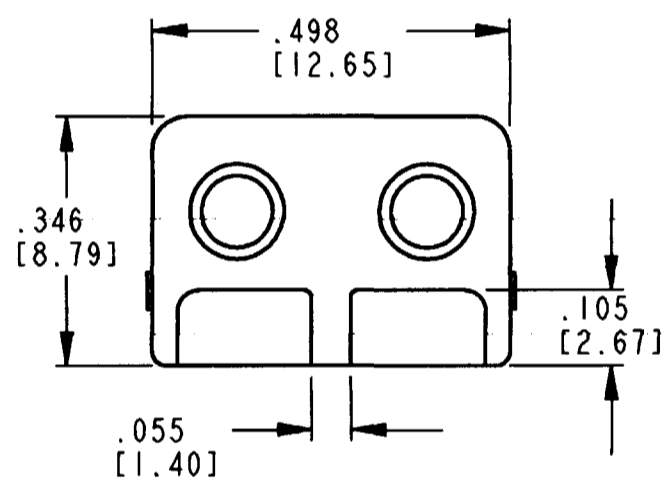
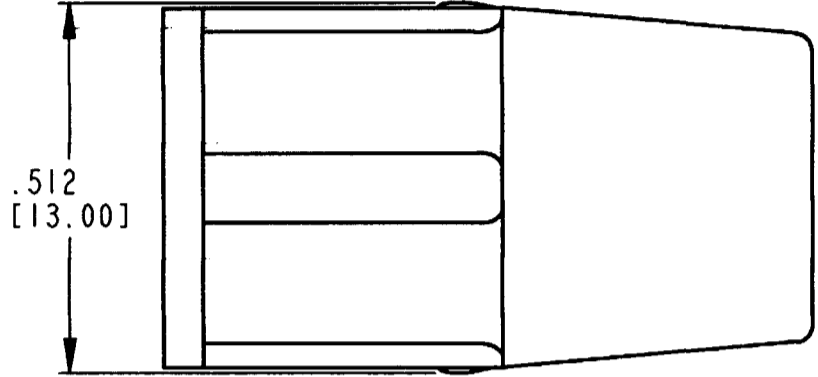


REV	NC	WP-2S
-----	----	-------

REVISIONS			
SYM	DESCRIPTION	DATE	APPROVED
NC	NEW RELEASE PER E.O. P15586	3-31-98	RDR



SCALE 3.0

- NOTES: 1. DIMENSIONS ARE IN INCHES [MM].
2. DIMENSION TOLERANCE: $\pm .015$ [.38].
3. THIS PART MATES WITH DTP06-2S PLUG.
4. COLOR: ORANGE.

SIGNATURE & DATE	
DR	V. TOMSA MAR-18-98.
CHK	D. Meyer 3/31/98
PE	Robert J. P... MAR-31-98
APPD	R. R... 3/31/98
SCALE	4:1
WT	

WEDGE LOCK
FOR 2 CONT. PLUG
HOUSING
DTP SERIES

ENVELOPE

CP EPO45	MATL. CODE
The Deutch Company DEUTSCH I.P.D. 3850 INDUSTRIAL AVE. HEMET, CALIF. 92545	
B	WP-2S
DWG SIZE	CODE 11139 SHEET OF