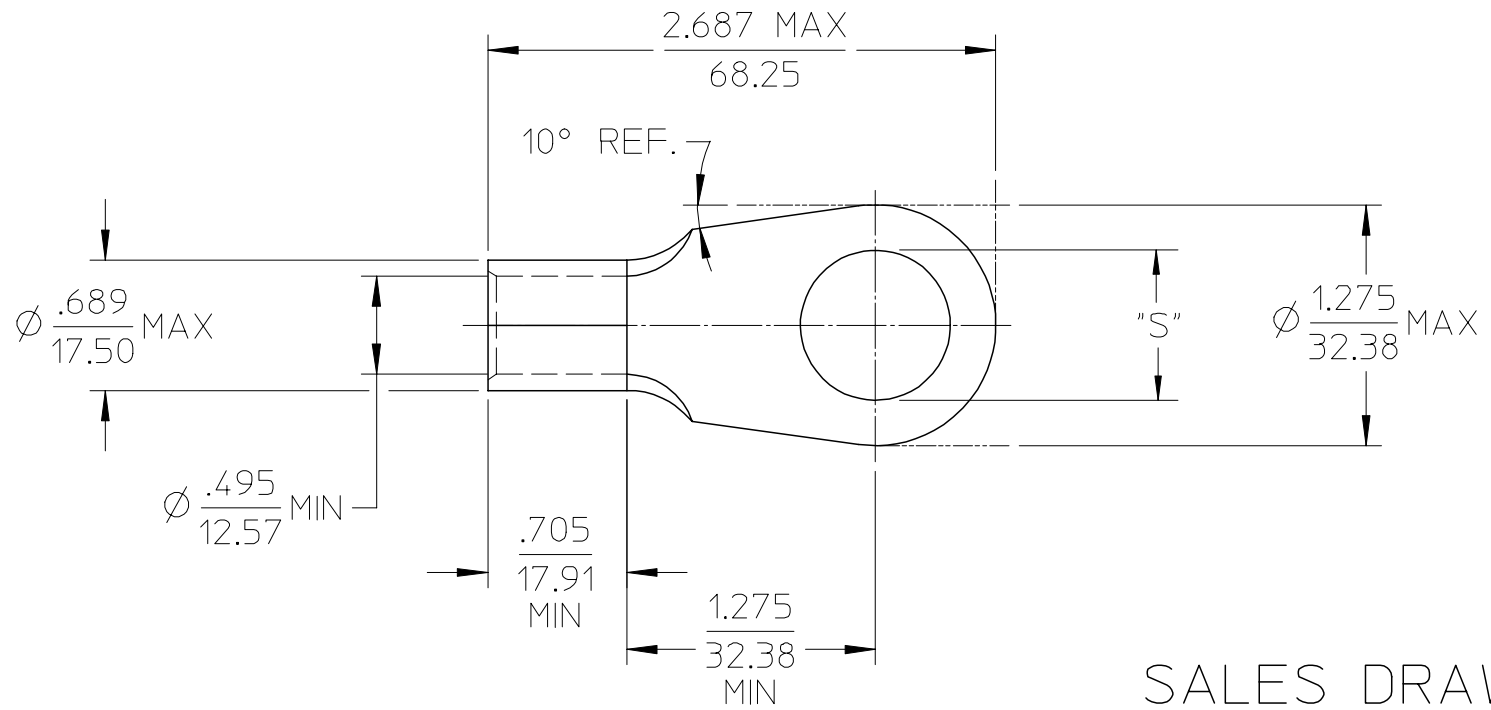


MATERIAL NO. LOOSE PIECE	ENG. NO.	STUD SIZE	±.003 "S"	STOCK THICKNESS
191930350	J-387-12	1/2	.515	.083 (2.11)
191930352	J-387-58	5/8	.656	
191930351	J-387-34	3/4	.781	
191930353	J-387-78	7/8	.906	

NOTE(S):
 1. MATERIAL: COPPER
 2. PLATING: ELECTROPLATE TIN
 3. ALL DIMENSIONS IN INCHES/(MM).
 4. WIRE SIZE: 2/0 AWG
 70 MM²



SALES DRAWING

REVISED/UPDATE TO MX STDS EC NO: ETC2003-0315 DRWN: DMYRICK 2003/08/20 CHKD: HEB 2003/08/21 APPR: RDEROSS 2003/08/21	QUALITY SYMBOLS ▽ = 0 ▽ = 0	GENERAL TOLERANCES (UNLESS SPECIFIED)		SCALE 1:1	DESIGN UNITS INCH	THIRD ANGLE PROJECTION	REVISE ON CAD ONLY		
		4 PLACES	± ---	± ---	DIMENSION STYLE IN/MM		TITLE RING TONGUE TERMINAL VERSAKRIMP 2/0 AWG		
		3 PLACES	± ---	± .005	DRAWN BY DLM	DATE 03/06/13	MATERIAL NO. (SEE CHART) SD-19193-027		
		2 PLACES	± 0.13	± .01	CHECKED BY HEB	DATE 03/06/13			
		1 PLACE	± 0.25	± ---	APPROVED BY RWD		DATE 03/06/13	SHEET NO. 1 OF 1	
ANGULAR ±1/2°		DRAFT WHERE APPLICABLE MUST REMAIN WITHIN DIMENSIONS		THIS DRAWING CONTAINS INFORMATION THAT IS PROPRIETARY TO MOLEX INCORPORATED AND SHOULD NOT BE USED WITHOUT WRITTEN PERMISSION					