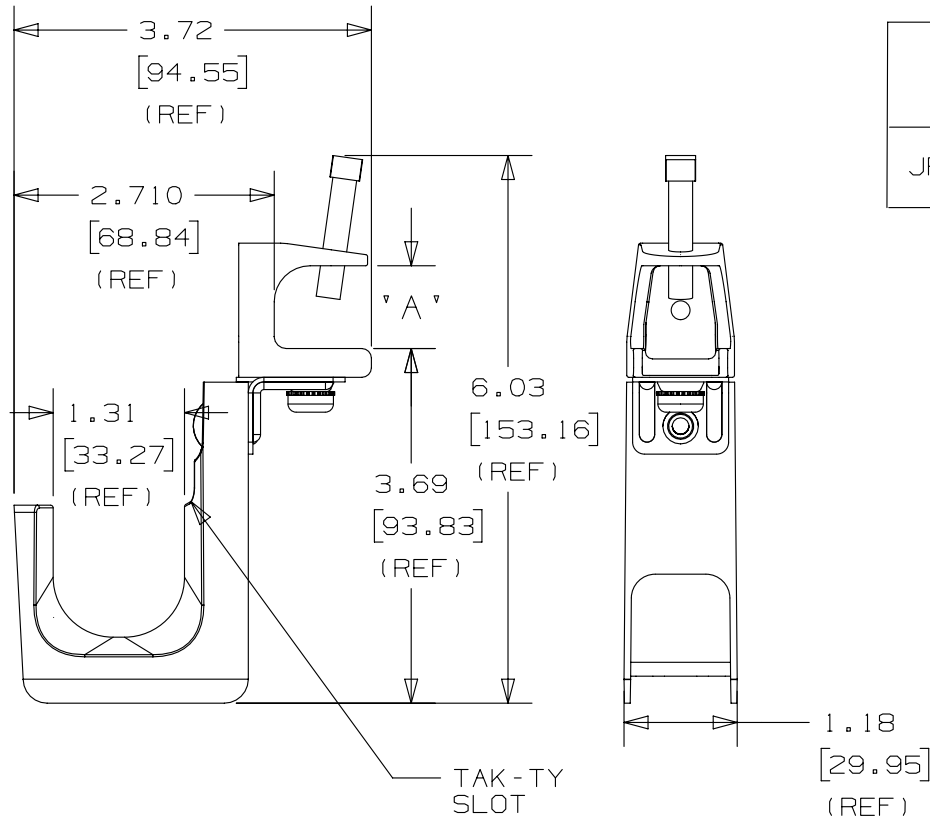
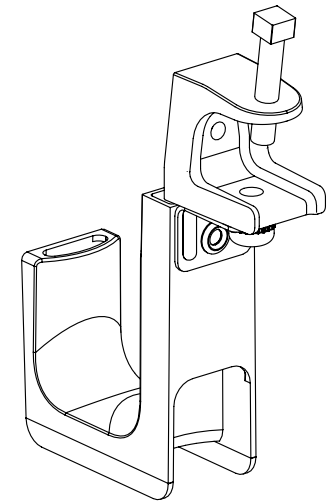


THIS COPY IS PROVIDED ON A RESTRICTED BASIS AND IS NOT TO BE USED IN ANY WAY DETRIMENTAL TO THE INTERESTS OF PANDUIT CORP.



| | | |
|------------------|------------------------------|----------------------------|
| PANDUIT PART NO. | 'A' | WEIGHT 10pcs lbs (g) |
| JP131SBC87RB--- | 0.812-0.912 [20.6-23.2] | 3.00 (1360) |



NOTES:

- SEE CURRENT PRICE SHEET FOR PART NUMBER SUFFIX DESIGNATION FOR PACKAGE SIZE AND PRODUCT COLOR.
- HOOK MATERIAL: NYLON 6/6
ANGLE BRACKET MATERIAL: PRE-GALVANIZED STEEL
RIVET MATERIAL: ALUMINUM
CLAMP MATERIAL: PLATED IRON
BOLT/WASHER MATERIAL: ZINC PLATED STEEL
- PRODUCT IS DESIGNED TO SUPPORT A MAXIMUM OF 1 5/16" (33.34) DIAMETER BUNDLE, MAXIMUM RECOMMENDED STATIC LOAD: 20 lbs.
- PRODUCT INCORPORATES FEATURES ALLOWING USER TO RETAIN CABLE BUNDLES IN J-PRO J-HOOK WITH TAK-TY CABLE TIES UP TO 3/4" WIDE.
- PRODUCT MARKINGS:
cULus logo and statement:
"SUITABLE FOR USE IN AIR HANDLING SPACES IN ACCORDANCE WITH SECTION 300-22 (C) & (D) OF THE NATIONAL ELECTRIC CODE."
ULC logo and statement:
"IN ACCORDANCE WITH CAN/ULC S-102.2-10 IN SINGLE UNITS OR PAIRS, 4 ft (1220mm) MIN. SPACING, FSR=0, SDC=35."

| | |
|--|------------------------------|
| TITLE J-PRO J-HOOK WITH 360° SCREW-ON BEAM CLAMP (JP131SBC87RB---) CUSTOMER DRAWING | |
| ITEM REVISION NAME 121031AR/00 | PANDUIT TM |
| DATASET FILE NAME 121031AR_DC_C11037/00B | |
| UNLESS OTHERWISE SPECIFIED, DIMENSIONAL TOLERANCES ARE: IN [mm] .x ± .1 [2.54] .xxx ± .005 [.127] .xx ± .01 [.25] ANGLES ± 5 ° | |
| THIRD ANGLE PROJECTION | |
| DRAWN BY DBLA | DATE 1/25/2013 |
| CHK KLN | SCALE NONE |
| DRAWING NUMBER: C11037 | |
| SHT 1 OF 1 | |
| SIZE A | |

| REV | DATE | BY | CHK | APR | DESCRIPTION | ECN |
|-----|---------|------|-----|-----|------------------------------|------------|
| 01 | 1/16/14 | RVU | CLW | KLN | REMOVED "-" FROM PART NUMBER | GAECN01576 |
| 00 | 1/31/13 | DBLA | CLW | KLN | INITIAL RELEASE | GAECN00425 |

D10100DA/12