

**PLEASE CHECK WWW.MOLEX.COM FOR LATEST PART INFORMATION**

**Part Number:** [19078-0132](#)  
**Status:** **Active**  
**Description:** MagKrimp™ Tooling Kit - Round Dies for 20,760-104,960 CMA

**Documents:**

[RoHS Certificate of Compliance \(PDF\)](#)

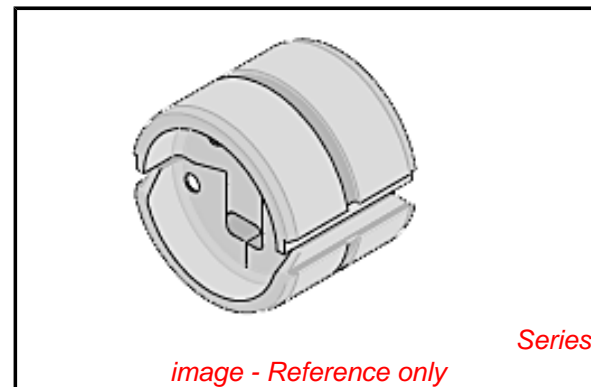
**General**

Product Family	Application Tooling
Series	<a href="#">T1722</a>
Function	Crimp
Geographic Area	Global
Level of Automation	Manual
More Detailed Tech Information	<a href="mailto:applicationtooling@molex.com">applicationtooling@molex.com</a>
Product Name	N/A
Survey	<a href="http://www.molex.com//review/apptool_survey.html">www.molex.com//review/apptool_survey.html</a>
Tool Type	N/A
UPC	800755074352

**Material Info**

**Reference - Drawing Numbers**

Application Tooling Documents	ATS-190780132
-------------------------------	---------------



*image - Reference only*

**EU RoHS**

**China RoHS**

**Compliance Status**

**Not Reviewed**

**REACH SVHC**

**Not Reviewed**

**Low-Halogen Status**

**Not Reviewed**

**Need more information on product environmental compliance?**

Email [productcompliance@molex.com](mailto:productcompliance@molex.com)  
 For a multiple part number RoHS Certificate of Compliance, [click here](#)

Please visit the [Contact Us](#) section for any non-product compliance questions.

**Search Parts in this Series**

[T1722Series](#)

**Use With**

190780129 , 190780122

**Application Tooling** | [FAQ](#)

**Description**

**Product #**

MagKrimp™ Dual Piercing Splice, 20,760 - 104,960 Circular Mil Area, Plated	0191951027
--	------------