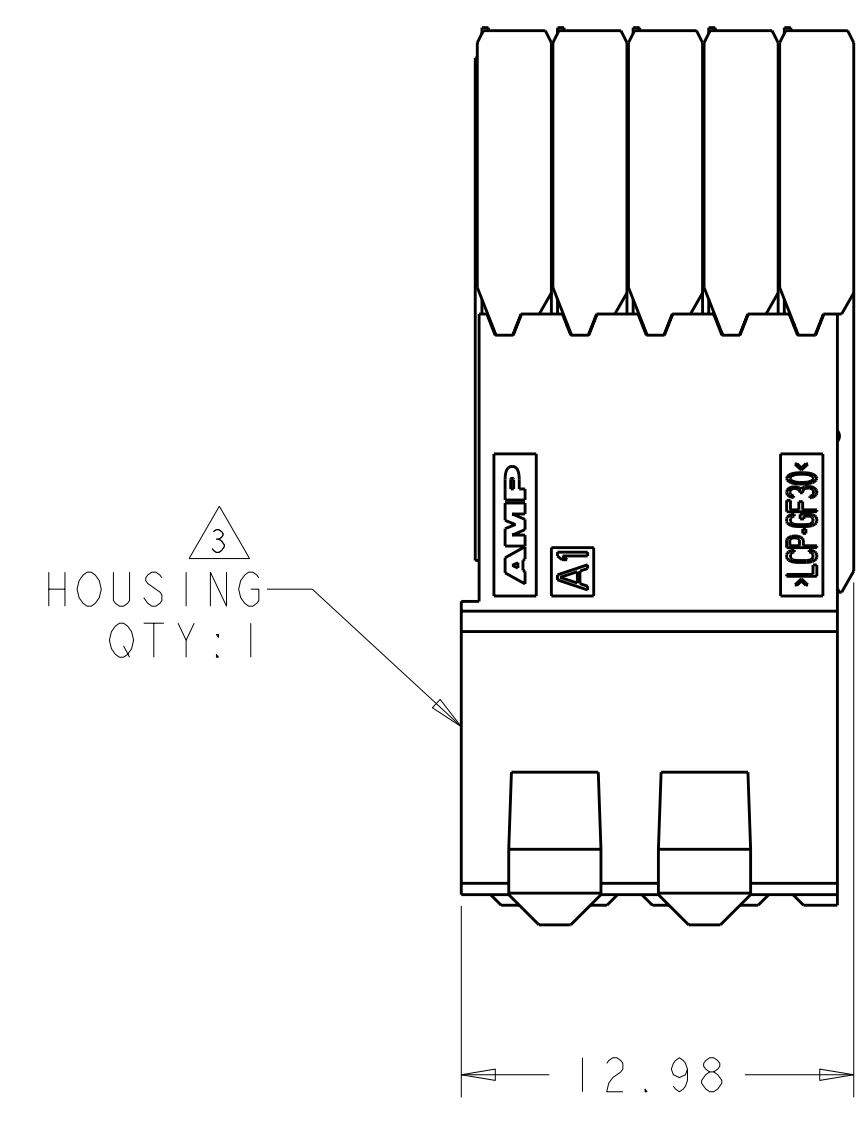
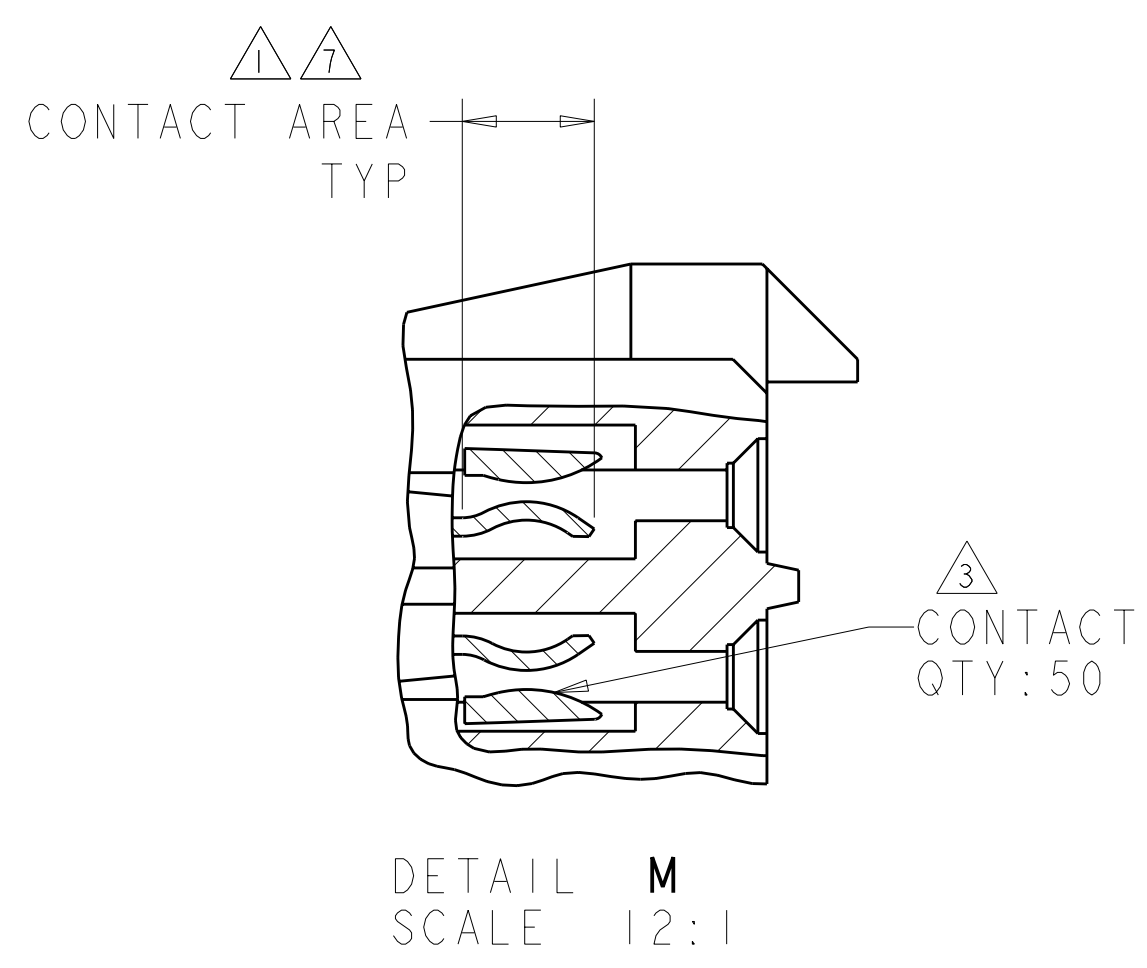
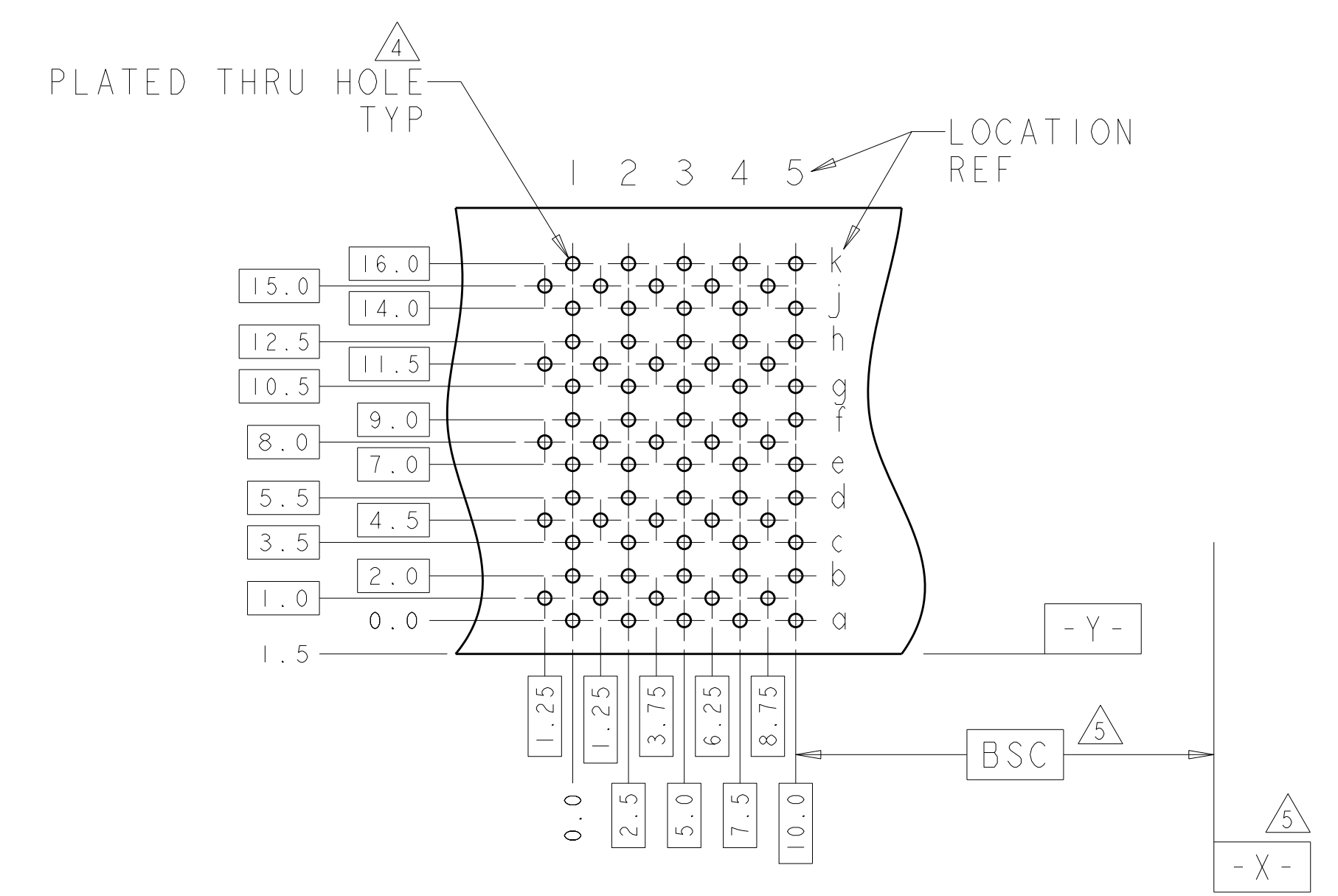
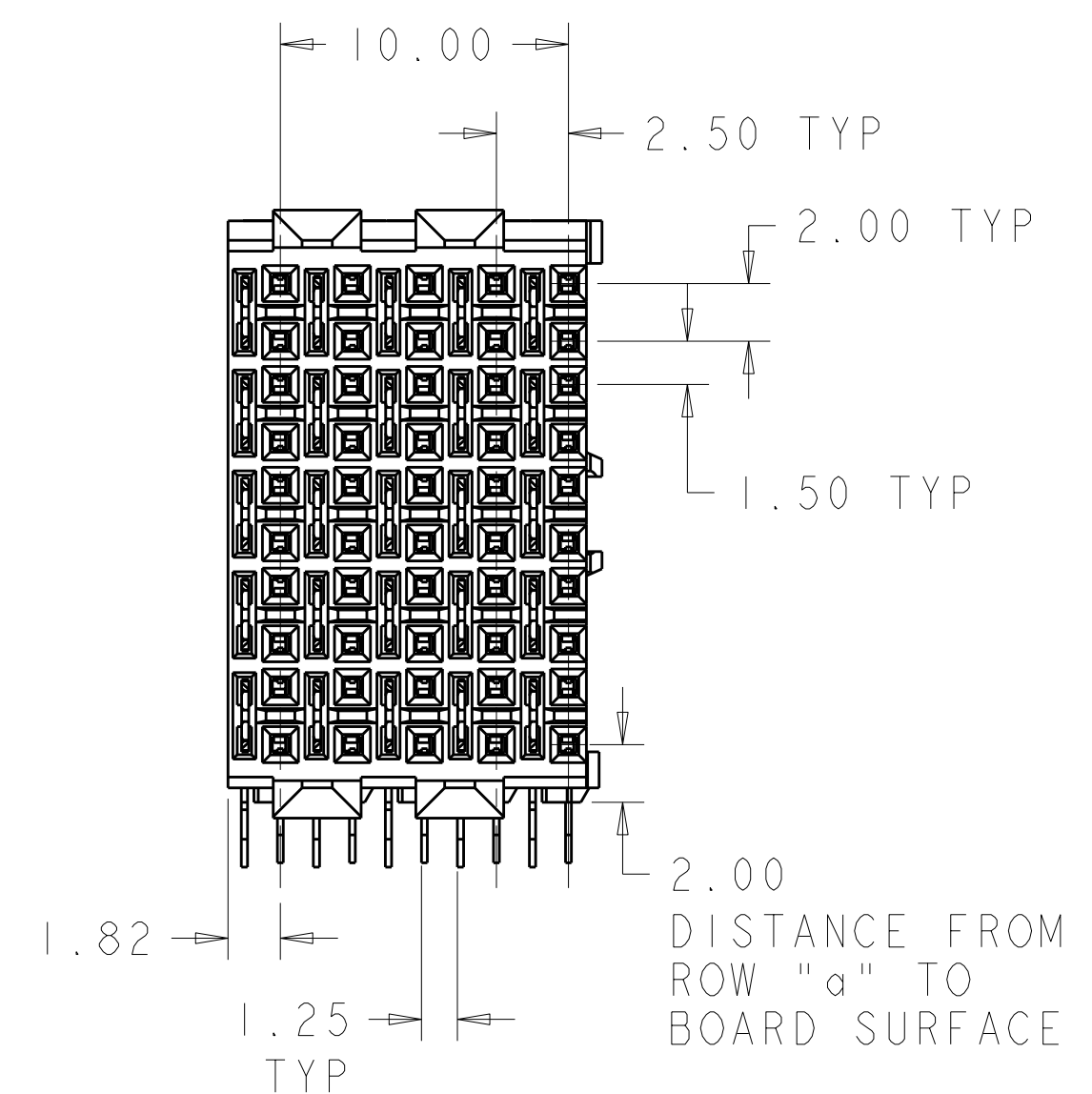
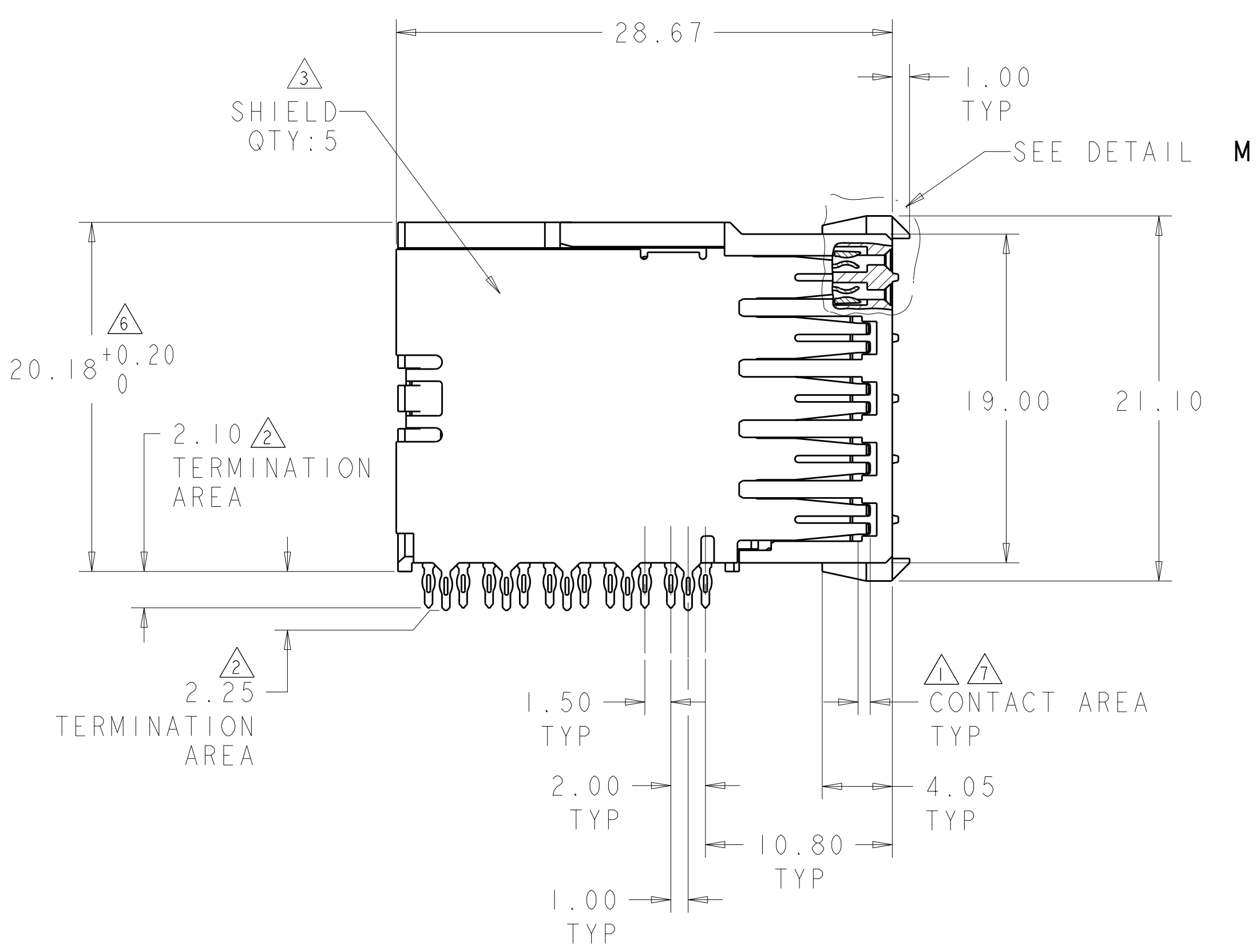


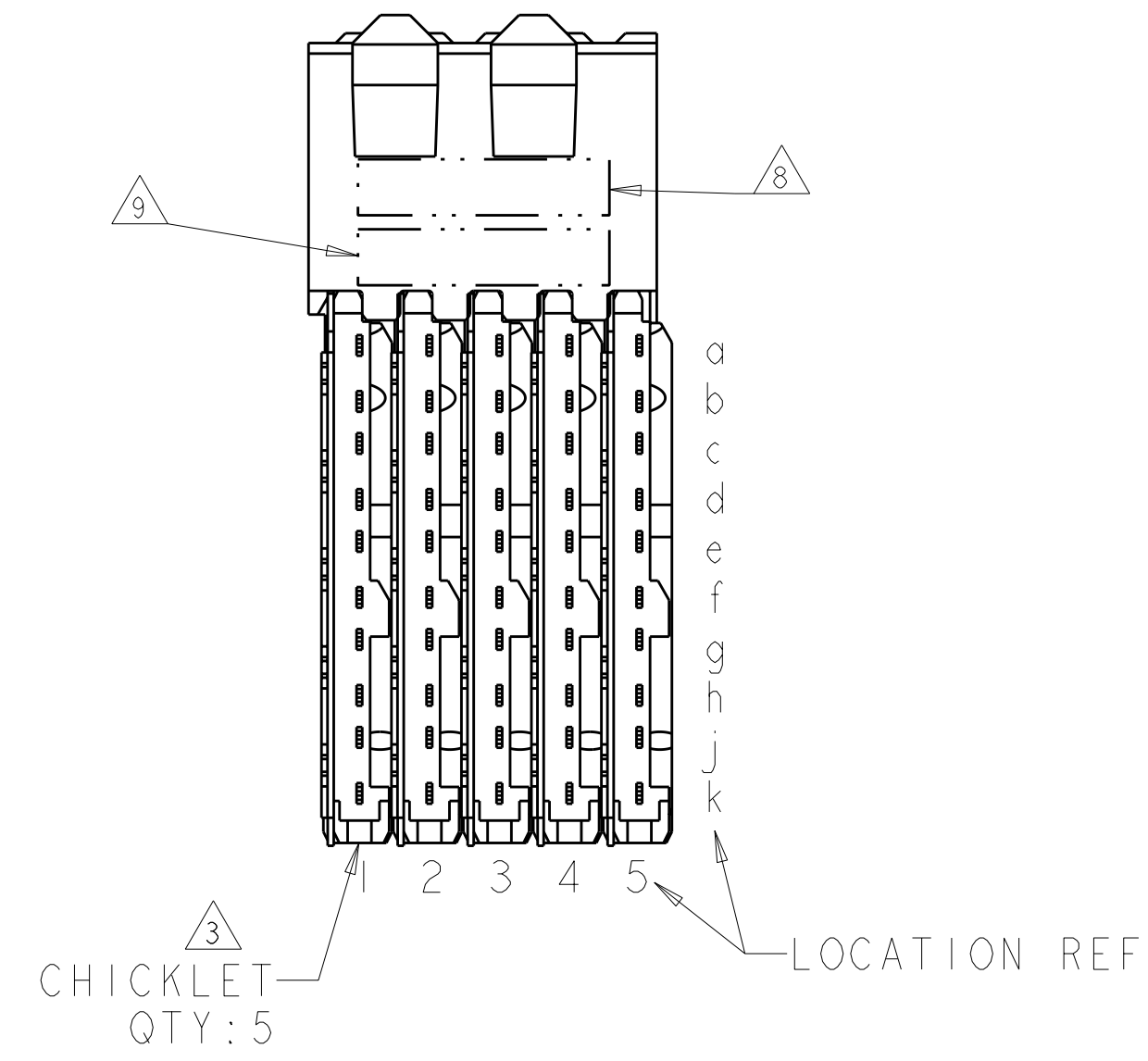
LOC		DIST		REVISIONS			
AD	00	REV	DATE	BY	CHKD	APPD	DATE
		A	13JUL2011	HMR	MH		



- △ CONTACT MATING AREA MEETS THE PERFORMANCE REQUIREMENTS OF TE CONNECTIVITY PRODUCT SPECIFICATION 108-1957; BASED ON TELCORDIA GR-1217-CORE, APPLICATIONS IN UNCONTROLLED ENVIRONMENTS.
- △ 0.76µm MIN TIN OVER 1.27µm MIN NICKEL
- △ MATERIAL: CONTACT - COPPER ALLOY
SHIELD - PHOSPHOR BRONZE
HOUSING - LCP, UL94V-0
CHICKLET - GLASS FILLED POLYESTER
- △ REFERENCE APPLICATION SPEC 114-13020 FOR RECOMMENDED PLATED THRU HOLE DIAMETER AND PLATING THICKNESS.
- △ DATUM AND BASIC DIMENSION ESTABLISHED BY CUSTOMER.
- △ SEATING HEIGHT TO BOARD SURFACE.
- △ CONTACT AREA LUBRICATED WITH BELLCORE APPROVED LUBRICANT. TECHNICAL REFERENCE: GR-1217-CORE, ISSUE 1, NOVEMBER 1995.
- △ DATE CODE
- △ PART NUMBER



RECOMMENDED PRINTED
 CIRCUIT BOARD LAYOUT
 COMPONENT SIDE OF PRINTED CIRCUIT BOARD



5120791-1
 PART NUMBER

THIS DRAWING IS A CONTROLLED DOCUMENT.		DWN: B. CARBO	08DEC04	TE Connectivity
DIMENSIONS: mm		CHK: R. PATTERSON	08DEC04	
TOLERANCES UNLESS OTHERWISE SPECIFIED:		APVD: R. PATTERSON	08DEC04	NAME: RECEPTACLE ASSEMBLY, 50 POSITION
9 PLC	±	PRODUCT SPEC		10 ROW, DUAL BEAM, Z-PACK HS3
3 PLC	±0.2	APPLICATION SPEC		
5 PLC	±0.13	114-13020		
4 PLC	±0.05	114-13020		
ANGLES	±	WEIGHT		
MATERIAL:	FINISH	SOLDER TAIL		RESTRICTED TO
		CONTACT		A100779C=5120791
		CUSTOMER DRAWING		SCALE 4:1 SHEET 1 OF 1 REV A