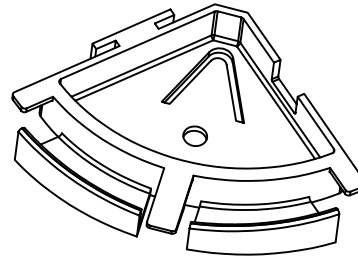
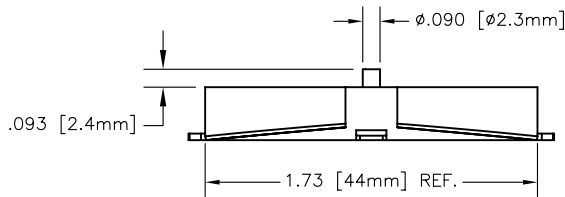
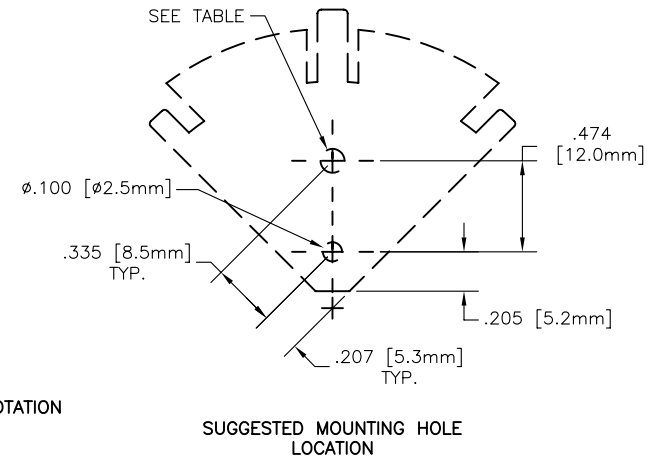
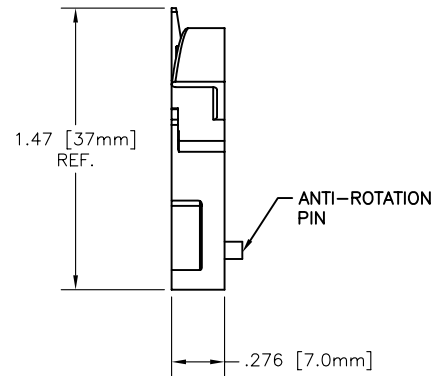
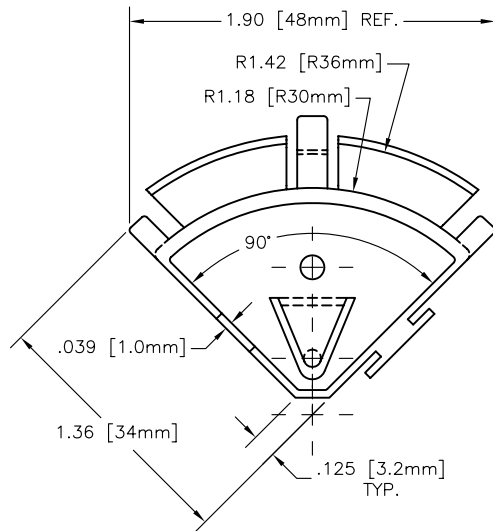


PAGE 1 OF 2  
SEE NOTE 4



MOUNTING RIVETS FOR THE OFS90-30R		
RIVET NO.	PANEL THICKNESS RANGE	MOUNTING HOLE DIA.
SRV0-3035	UP TO .039 (1.0)	.122-.126 (3.1-3.2)
SRV0-3045	.039-.079 (1.0-2.0)	
SRV0-3055	.079-.118 (2.0-3.0)	
SRV0-3065	.118-.158 (3.0-4.0)	
SRV0-3075	.158-.197 (4.0-5.0)	
SRV0-3080	.177-.217 (4.5-5.5)	
SRV0-3090	.217-.256 (5.5-6.5)	
SRV0-3100	.256-.295 (6.5-7.5)	

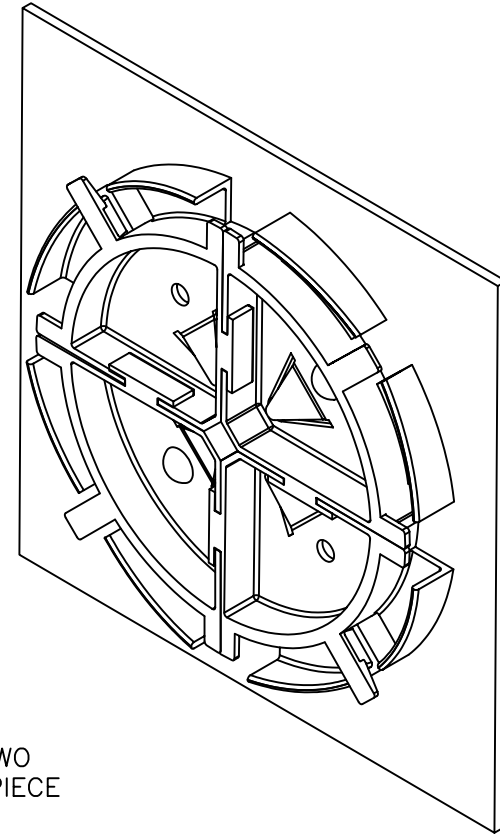
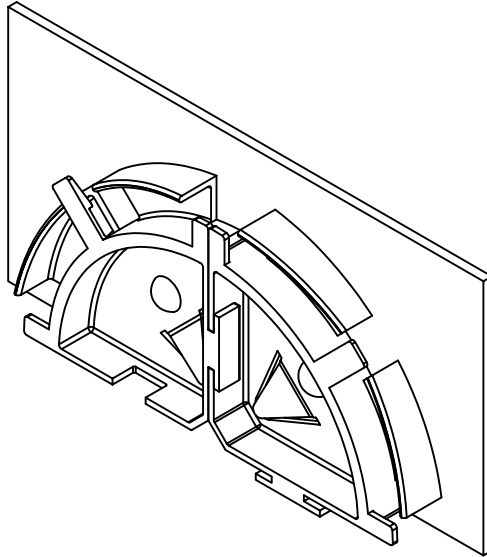


NOTES:

1. MATERIAL: FLAME RETARDANT NYLON, (RMS-19)
2. COLOR: NATURAL.
3. CAN BE USED WITH EITHER A SRV0-3XXX RIVET OR #4 SCREW.
4. PAGE 2 OF 2 SHOWS TYPICAL INSTALLATION OF TWO AND FOUR SEGMENTS ASSEMBLED.

REV	DESCRIPTION	ENGR DATE
B	ADDED TABLE TO SHEET 1	R.G.02.12.02
A	RELEASED FOR PRODUCTION	R.G.02.11.02

TITLE: OPTICAL FIBER SEGMENT-90 DEGREE-30 MM RADIUS				DWG IN IN [MM]		FINAL	
TOLERANCES UNLESS NOTED .XX=±.010 .XXX=±.005 FRAC=±1/64 ANG=±1°	FILE # OFS90-30R	DWN: R.D.G.	APP:			PART #	
	MAT'L: SEE NOTES	DT: 06/06/01	DT:			OFS90-30R	
	RE: RICHCO, INC.	RICHCO INC. PO BOX 804238, CHICAGO, 60680 (773) 539-4060				PRINT TYPE CA	



TYPICAL INSTALLATION OF TWO  
PIECE ASSEMBLY AND FOUR PIECE  
ASSEMBLY.

TITLE: OPTICAL FIBER SEGMENT-90 DEGREE-30 MM RADIUS					DWG IN IN (MM)	
TOLERANCES UNLESS NOTED .XX=±.010 .XXX=±.005 FRAC=±1/64 ANG=±1°			FILE # OFS90-30R MAT'L: SEE PAGE 1 NOTES RE: RICHCO, INC.	DWN: R.D.G. DT: 06/06/01	APP: DT:	PART # OFS90-30R
B A REV	ADDED TABLE TO SHEET 1 RELEASED FOR PRODUCTION DESCRIPTION	R.G.02.12.02 R.G.02.11.02 ENGR DATE	RICHCO INC. PO BOX 804238, CHICAGO, 60680 (773) 539-4060		FINAL	PRINT TYPE CA