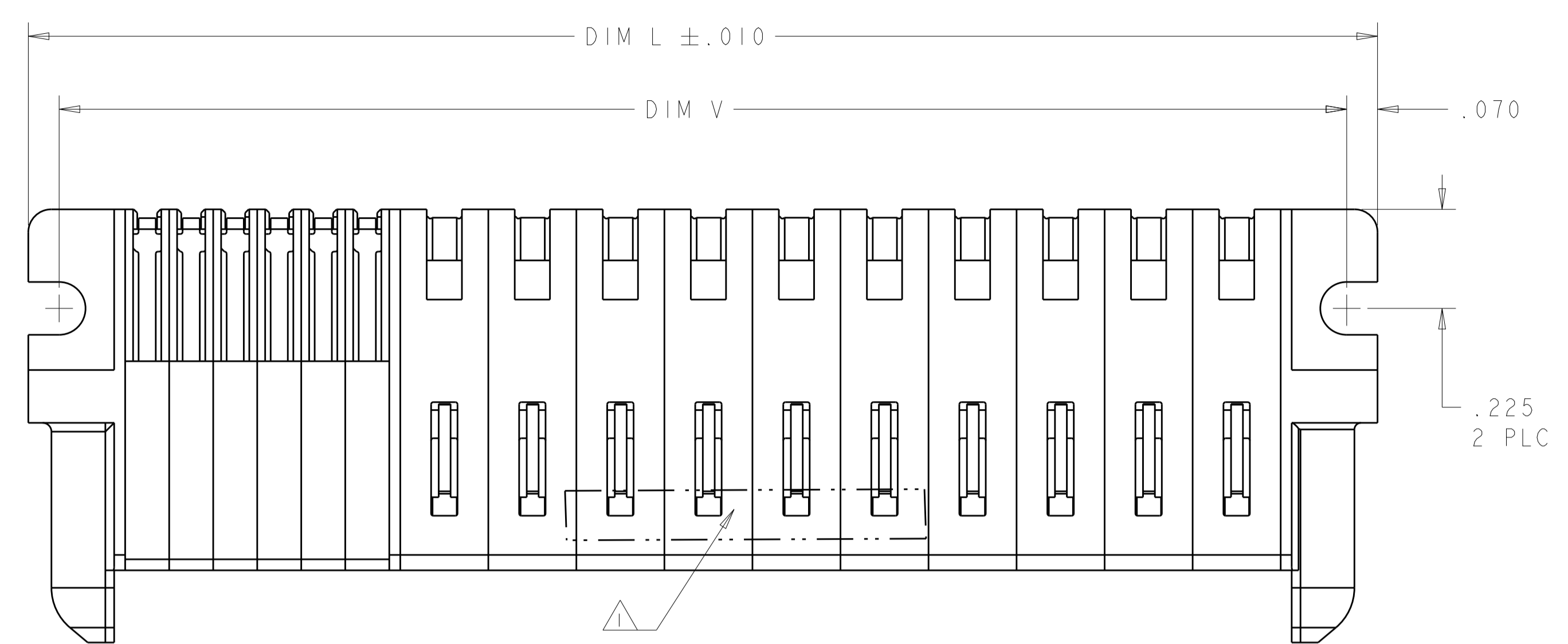
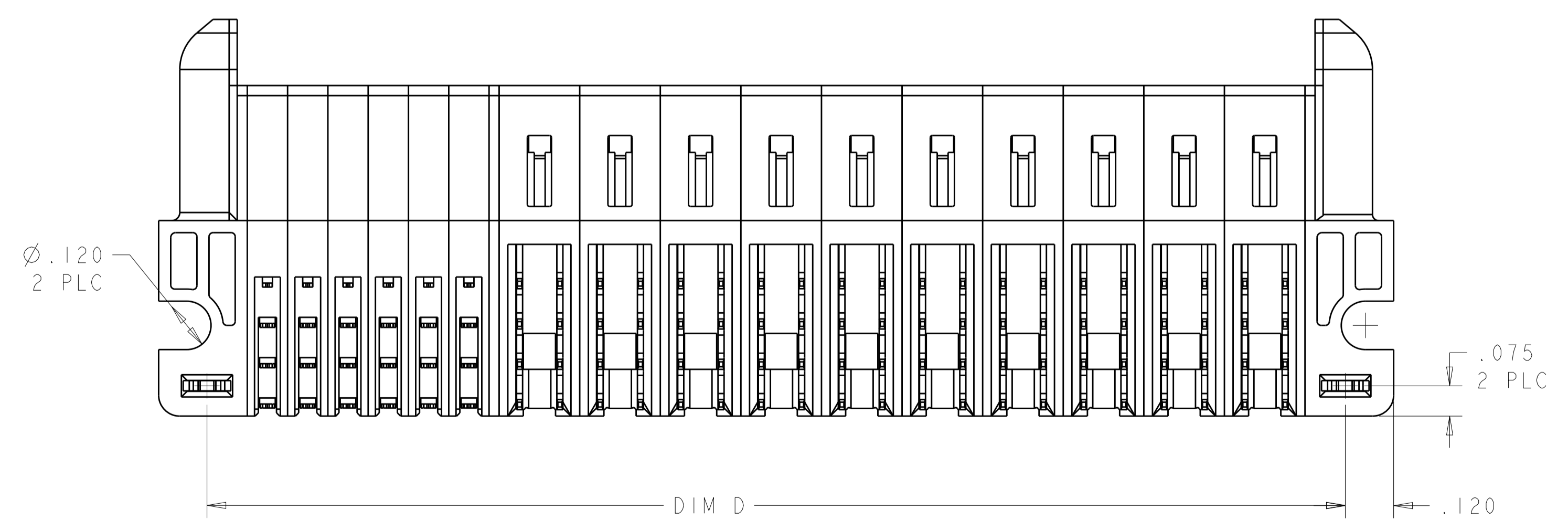
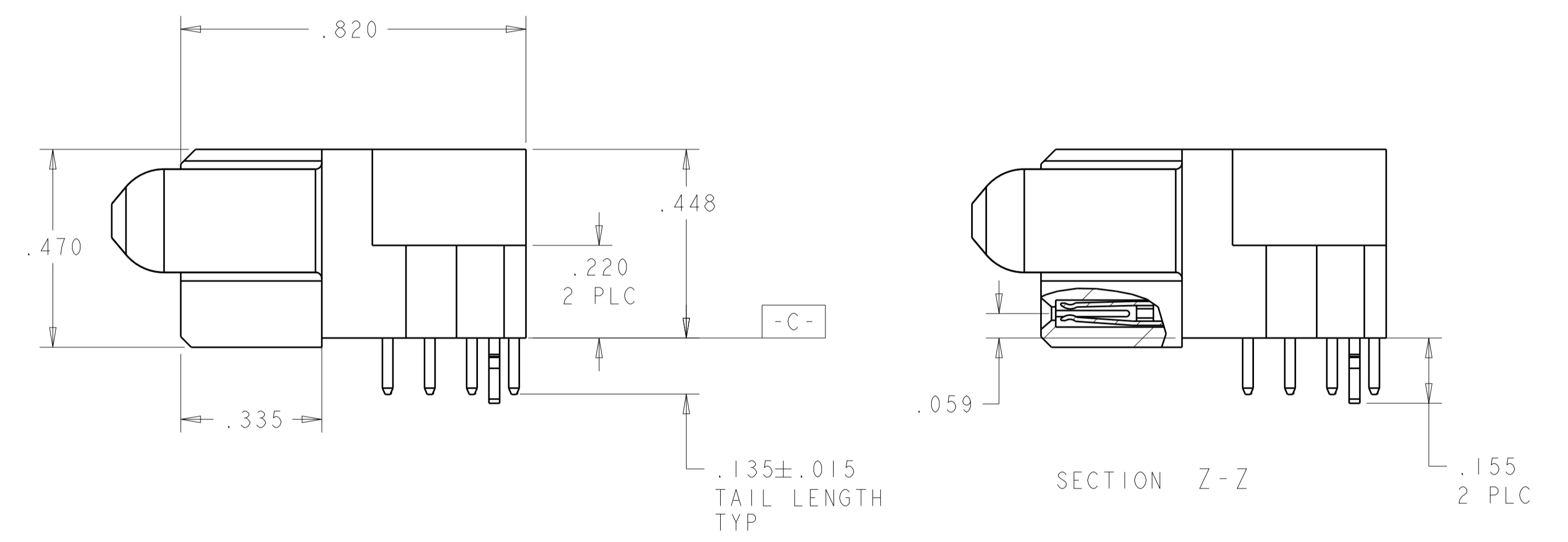
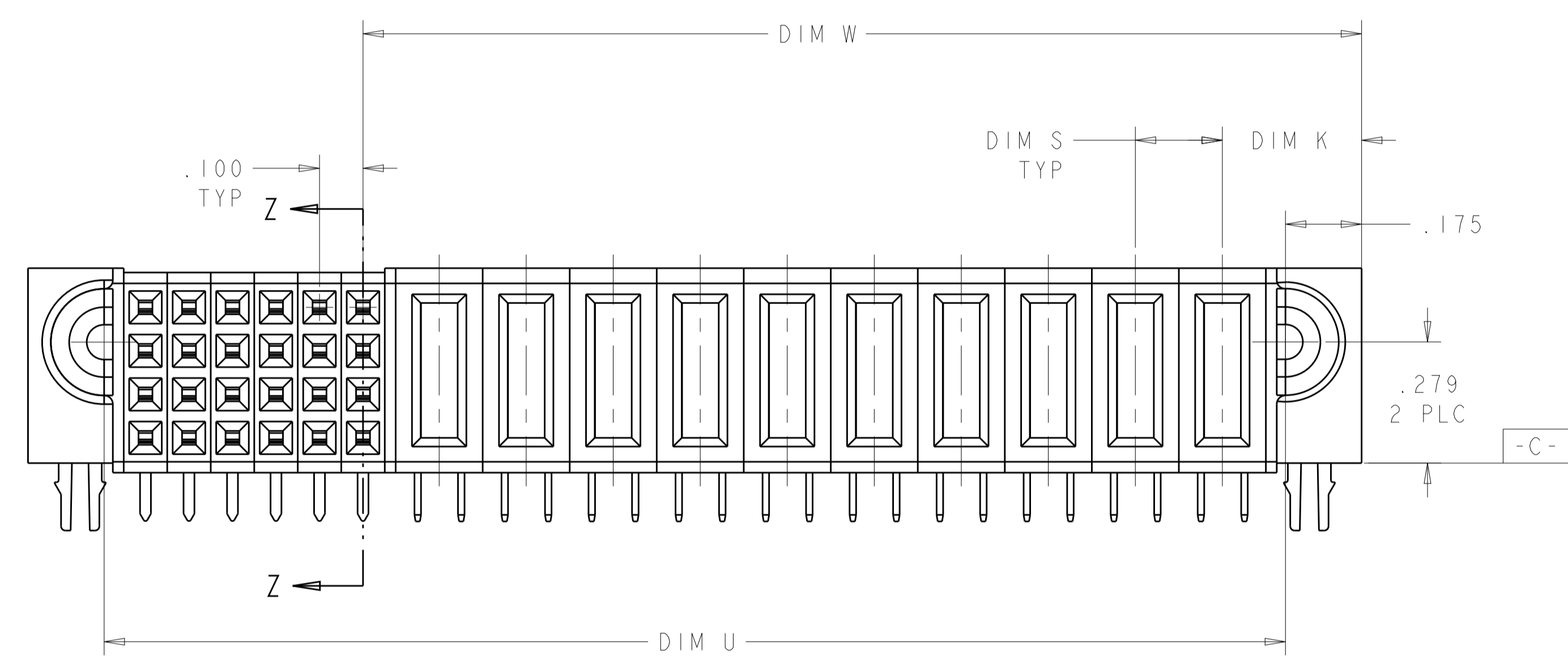


| LOC | | DIST | | REVISIONS | | | |
|-----|----|------|-----|-------------------------|-----------|-----|------|
| ES | 00 | P | LTH | DESCRIPTION | DATE | DMN | APVD |
| | | D2 | | RELEASE 1-4 | 12DEC2014 | CZ | SZ |
| | | D3 | | ADD NEW DASH NUMBER 1-9 | 25MAR2015 | CZ | SZ |



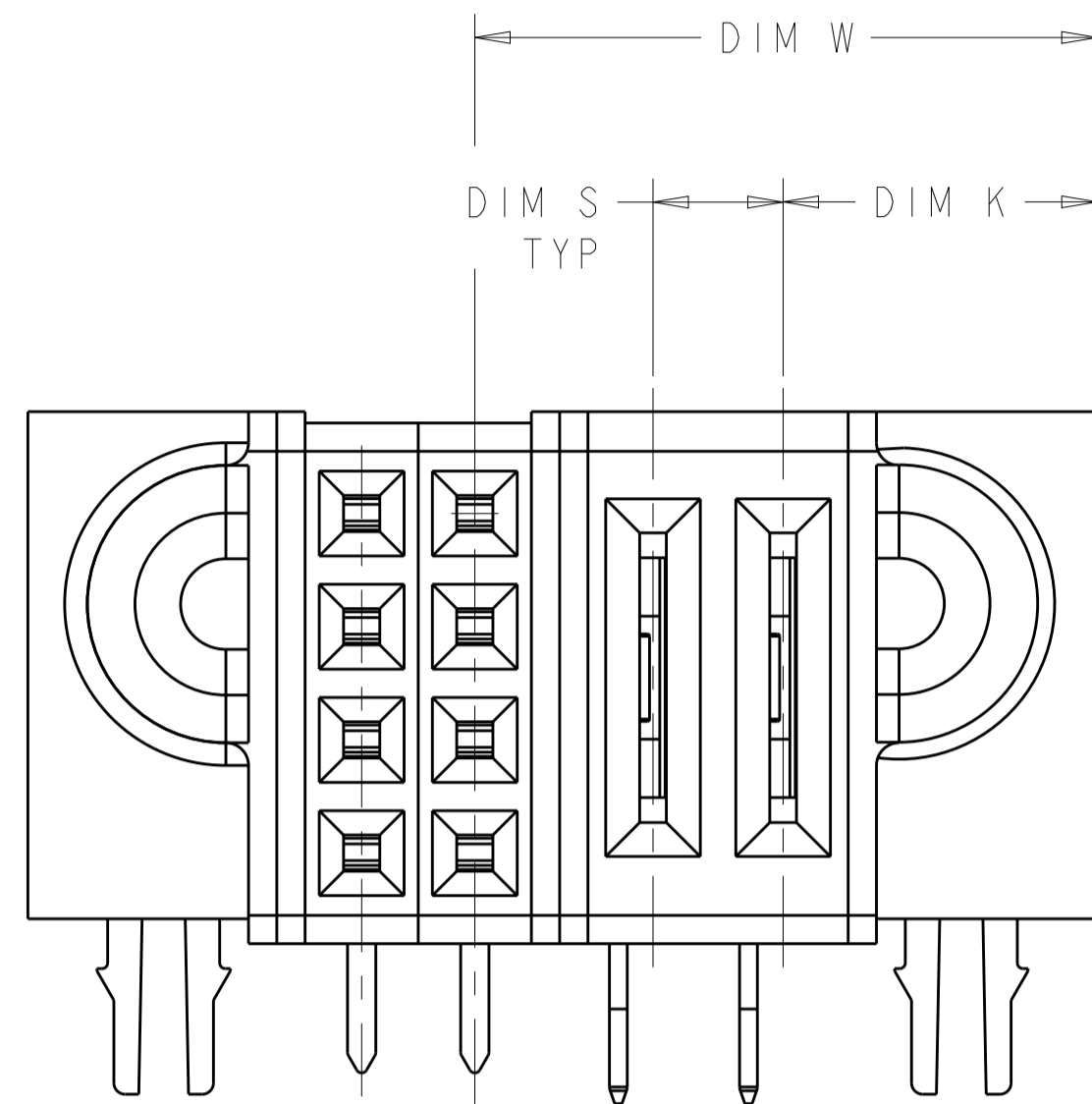
- 1 "AMP", PART NUMBER, AND DATECODE TO BE MARKED IN AREA SHOWN. PARTS UNDER 2.00[50.8] LONG MAY BE MARKED ON BOTH SIDES.
- 2 MATERIAL: HOUSING - GLASS FILLED HIGH TEMP THERMO PLASTIC, BLACK, UL94 V-0
 SIGNAL CONTACT - COPPER ALLOY
 POWER CONTACT - HIGH CONDUCTIVITY COPPER ALLOY
- 3 CONTACT PLATING: NOBLE METAL PLATING ON CONTACT FUNCTIONAL AREA OF SIGNAL CONTACTS AND POWER CONTACTS.
- 4 MECHANICAL CONNECTOR KEEP OUT ZONE.
- 5 DATUM AND BASIC DIMENSIONS ESTABLISHED BY CUSTOMER.
- 6 PCB - HOLE DIAMETERS ARE FINISHED HOLE SIZE.
- 7 PCB - .0453±.0010[1.151±0.025] DRILLED HOLES PLATED WITH .0003[0.008] MIN Sn OVER .001[0.03] TO .003[0.08] Cu PLATING TO ACHIEVE A .040[1.02] DIA HOLE.
- 8 VARIABLE DIMENSIONS SHOWN ON VIEW.
- 9 FOR CONFIGURATION "L/P", VARIABLE DIMENSIONS PLEASE REFERTO SHEET 2.



THIS DRAWING IS A CONTROLLED DOCUMENT.

| | | | |
|---------------------------|--|-------------------------------|--|
| DIMENSIONS: INCHES[MM] | TOLERANCES UNLESS OTHERWISE SPECIFIED: | DMN C. ZHOU 06FEB2009 | TE Connectivity NAME RIGHT ANGLE RECEPTACLE WITH LP AND SHORT END MODULAR MULTI-BEAM XLE |
| 0 PLC ±.01 | 1 PLC ±.01 | CHK S. ZHAO 06FEB2009 | |
| 2 PLC ±.01 | 3 PLC ±.005 | APVD S. ZHAO 06FEB2009 | |
| 4 PLC ±.0020 | ANGLES ±.7° | PRODUCT SPEC 108-2292 | |
| MATERIAL | FINISH | APPLICATION SPEC 114-13251 | SIZE A100779 |
| | | WEIGHT | CAGE CODE DRAWING NO C=6450872 |
| | | CUSTOMER DRAWING | RESTRICTED TO |
| | | SCALE 4:1 | SHEET 1 OF 11 |
| | | | REV D3 |

| LOC | DIST | REVISIONS | | | | | |
|-----|------|-----------|-----|-------------|------|-----|------|
| | | P. | LTN | DESCRIPTION | DATE | DMN | APVD |
| ES | 00 | - | - | SEE SHEET 1 | - | - | - |
| | | | | | | | |
| | | | | | | | |



FOR CONFIGURATION "L/P", OTHER DIMENSIONS PLEASE REFER TO SHEET 1

| | | | | | | | | |
|---------|-------|-------|-------|-------|---------|----------|-----------------|-------------|
| .200 | 2.965 | 2.825 | 2.615 | 2.725 | 2.195 | .320 | 10HDP + 20S | 1-6450872-9 |
| △8 | 2.090 | 1.950 | 1.740 | 1.850 | 1.320 | .320 | 5HDP + 24S | 1-6450872-8 |
| .250 | 3.240 | 3.100 | 2.890 | 3.000 | 2.270 | .345 | 8P + 32S | 1-6450872-7 |
| △8 | 2.965 | 2.825 | 2.615 | 2.725 | 2.195 | .370 | 3ACP + 4P + 24S | 1-6450872-6 |
| .250 | 3.040 | 2.900 | 2.690 | 2.800 | 2.270 | .345 | 8HDP + 24S | 1-6450872-5 |
| .200 | 1.990 | 1.850 | 1.640 | 1.750 | 1.320 | .345 | 5HDP + 20S | 1-6450872-4 |
| .115 △9 | .945 | .805 | .595 | .705 | .550 △9 | .2775 △9 | 2LP + 8S | 1-6450872-3 |
| .200 | 3.065 | 2.925 | 2.715 | 2.825 | 2.295 | .320 | 10HDP + 24S | 1-6450872-0 |
| .200 | 2.240 | 2.100 | 1.890 | 2.000 | 1.470 | .320 | 6HDP + 24S | 6450872-9 |
| △8 | 3.065 | 2.925 | 2.715 | 2.825 | 1.895 | .370 | 4P + 40S | 6450872-8 |
| .250 | 4.640 | 4.500 | 4.290 | 4.400 | 3.270 | .320 | 12P + 48S | 6450872-7 |
| .250 | 2.415 | 2.275 | 2.065 | 2.175 | 1.745 | .320 | 6P + 20S | 6450872-6 |
| .250 | 1.490 | 1.350 | 1.140 | 1.250 | 1.020 | .345 | 3P + 12S | 6450872-4 |
| △8 | 1.590 | 1.450 | 1.240 | 1.350 | .995 | .345 | 2P + 8S | 6450872-3 |
| △8 | 3.740 | 3.600 | 3.390 | 3.500 | 2.970 | .345 | 3ACP + 8P + 24S | 6450872-2 |
| .200 | 3.065 | 2.925 | 2.715 | 2.825 | 2.295 | .320 | 10HDP + 24S | 6450872-1 |
| DIM S | DIM L | DIM V | DIM U | DIM D | DIM W | DIM K | DESCRIPTION | PART NUMBER |

THIS DRAWING IS A CONTROLLED DOCUMENT.

| | | | |
|---------------------------|---|---|--|
| DIMENSIONS: INCHES(MM) | TOLERANCES UNLESS OTHERWISE SPECIFIED: 0 PLC ±. 1 PLC ±.01 2 PLC ±.01 3 PLC ±.005 4 PLC ±.0020 ANGLES ±7° | DMN C.ZHOU 06FEB2009 CHK S.ZHAO 06FEB2009 APVD S.ZHAO 06FEB2009 | NAME RIGHT ANGLE RECEPTACLE WITH LP AND SHORT END MODUAL MULTI-BEAM XLE |
| MATERIAL | FINISH | PRODUCT SPEC 108-2292 APPLICATION SPEC 114-13251 | SIZE CAGE CODE DRAWING NO A100779C=6450872 |
| CUSTOMER DRAWING | | WEIGHT | RESTRICTED TO |
| SCALE 4:1 | | SHEET 2 OF 11 | REV D3 |

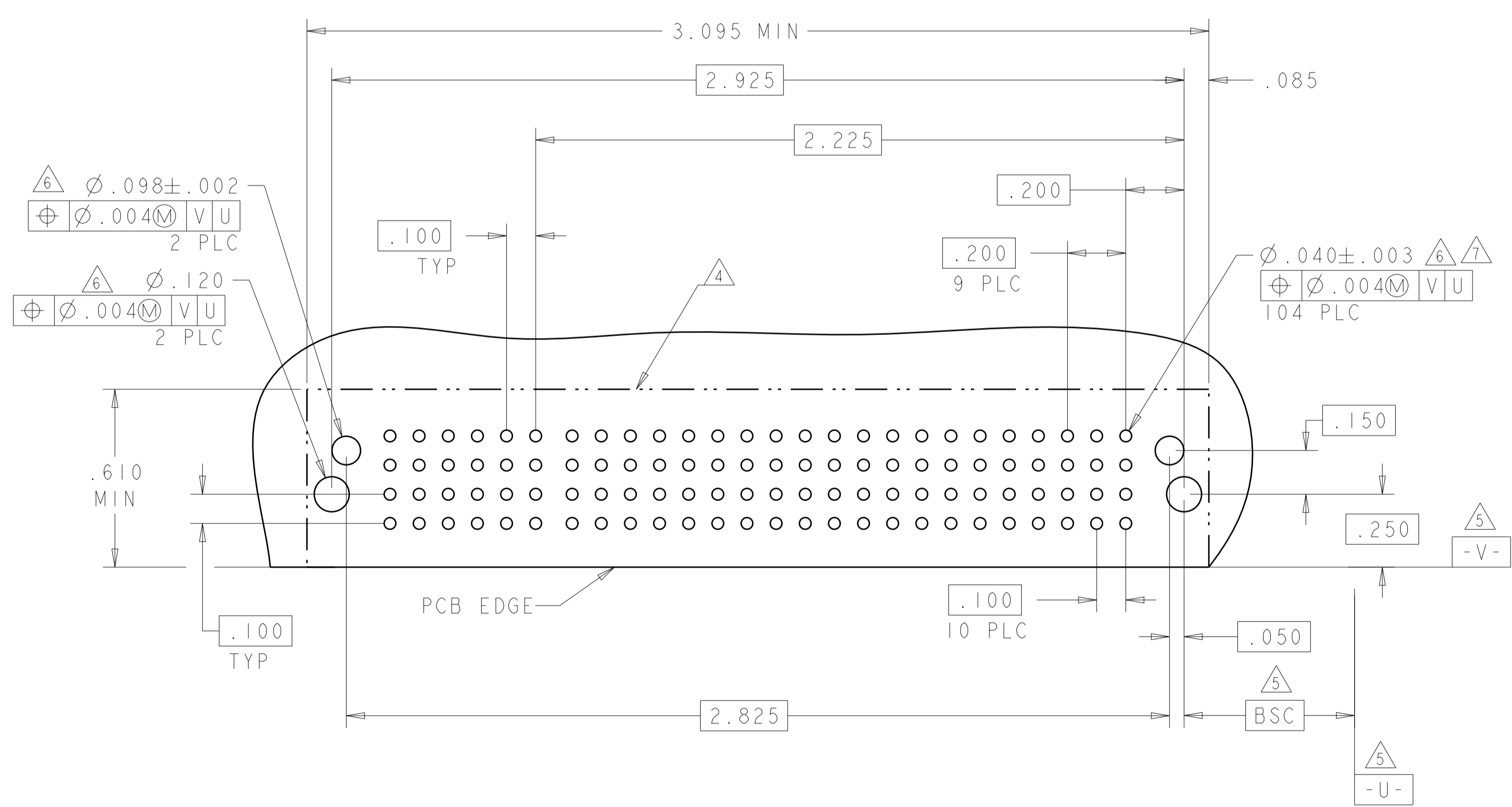
4805 (3/11)

| LOC | DIST | REV | DATE | BY | APPV |
|-----|------|-------------|------|----|------|
| ES | 00 | | | | |
| | | REVISIONS | | | |
| | | DESCRIPTION | DATE | BY | APPV |
| | | SEE SHEET 1 | | | |

| PART NUMBER | ROWS | SIGNAL | | | | | | POWER | | | | | | | | | |
|-------------|------|--------|---|---|---|---|---|-------|----|----|----|----|----|----|----|----|----|
| | | 6 | 5 | 4 | 3 | 2 | 1 | P10 | P9 | P8 | P7 | P6 | P5 | P4 | P3 | P2 | P1 |
| 6450872-1 | D | H | H | H | H | H | H | RM | RM | RM | RM | RM | RM | RM | RM | RM | RM |
| | C | G | G | G | G | G | G | RM | RM | RM | RM | RM | RM | RM | RM | RM | RM |
| | B | F | F | F | F | F | F | RM | RM | RM | RM | RM | RM | RM | RM | RM | RM |
| | A | E | E | E | E | E | E | RM | RM | RM | RM | RM | RM | RM | RM | RM | RM |
| 10HDP + 24S | | | | | | | | | | | | | | | | | |

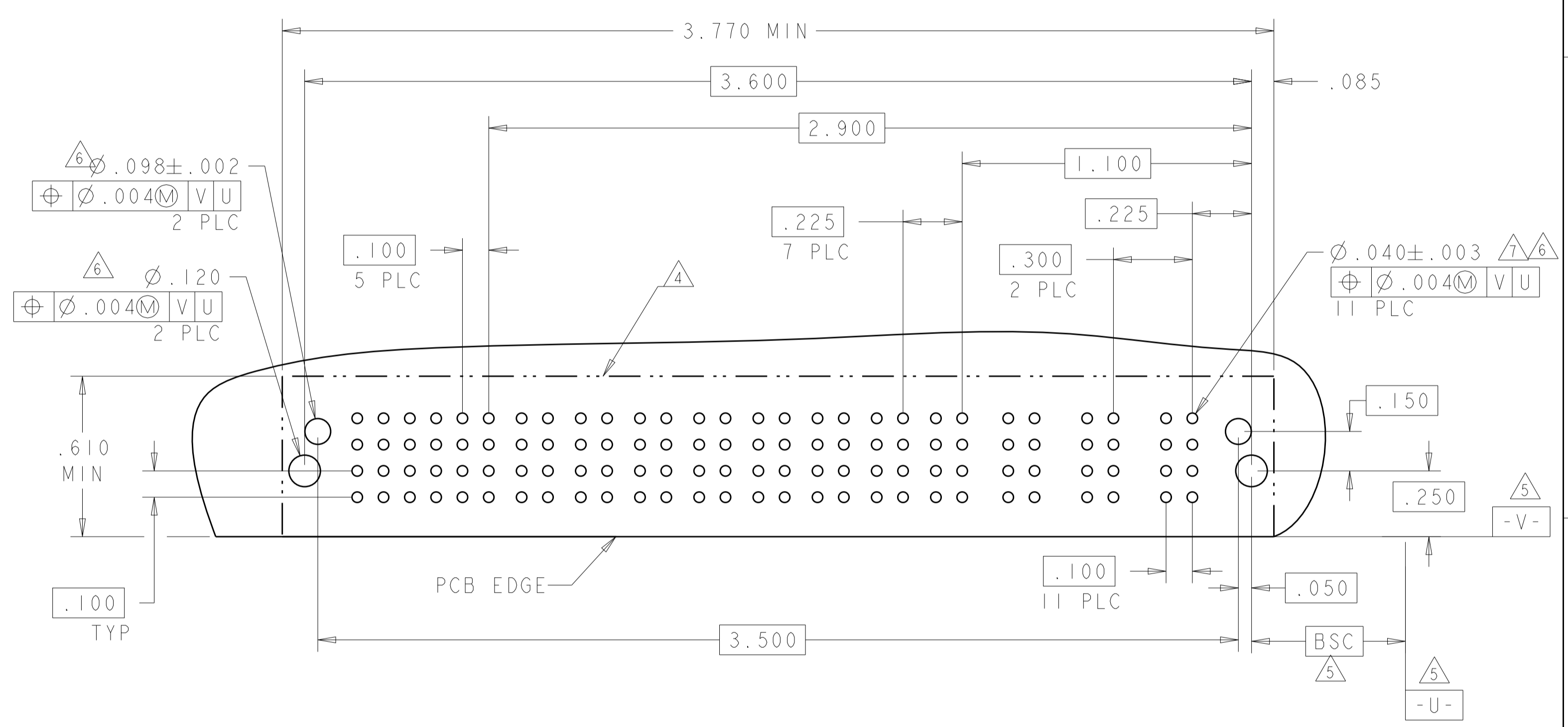
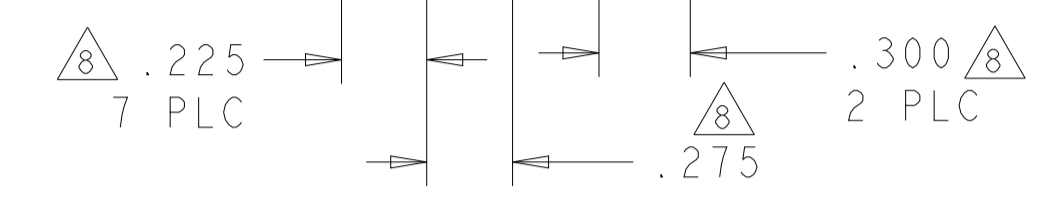
| PART NUMBER | ROWS | SIGNAL | | | | | | POWER | | | | | | | | | |
|-------------|------|--------|---|---|---|---|---|-------|----|----|----|----|----|----|----|----|----|
| | | 6 | 5 | 4 | 3 | 2 | 1 | P10 | P9 | P8 | P7 | P6 | P5 | P4 | P3 | P2 | P1 |
| 1-6450872-0 | D | H | H | H | H | H | H | RM | RM | RM | RM | RM | RM | RM | RM | RM | RM |
| | C | G | G | G | G | G | G | RM | RM | RM | RM | RM | RM | RM | RM | RM | RM |
| | B | F | F | F | F | F | F | RM | RM | RM | RM | RM | RM | RM | RM | RM | RM |
| | A | E | E | E | E | E | E | RM | RM | RM | RM | RM | RM | RM | RM | RM | RM |
| 10HDP + 24S | | | | | | | | | | | | | | | | | |

NO LOADING CONTACTS



PCB LAYOUT FOR P/N: 6450872-1 AND 1-6450872-0

| PART NUMBER | ROWS | SIGNAL | | | | | | POWER | | | | | | | | | | |
|-----------------|------|--------|---|---|---|---|---|-------|-----|----|----|----|----|----|----|----|----|----|
| | | 6 | 5 | 4 | 3 | 2 | 1 | P11 | P10 | P9 | P8 | P7 | P6 | P5 | P4 | P3 | P2 | P1 |
| 6450872-2 | D | H | H | H | H | H | H | RM | RM | RM | RM | RM | RM | RM | RM | RA | RM | RM |
| | C | G | G | G | G | G | G | RM | RM | RM | RM | RM | RM | RM | RA | RM | RM | |
| | B | F | F | F | F | F | F | RM | RM | RM | RM | RM | RM | RM | RA | RM | RM | |
| | A | E | E | E | E | E | E | RM | RM | RM | RM | RM | RM | RM | RA | RM | RM | |
| 3ACP + 8P + 24S | | | | | | | | | | | | | | | | | | |



| | |
|--|------------|
| STD LOW POWER CONTACT, .135 TAIL LENGTH | LM |
| STANDARD SIGNAL CONTACT, .135 TAIL LENGTH, ROW D | H |
| STANDARD SIGNAL CONTACT, .135 TAIL LENGTH, ROW C | G |
| STANDARD SIGNAL CONTACT, .135 TAIL LENGTH, ROW B | F |
| STANDARD SIGNAL CONTACT, .135 TAIL LENGTH, ROW A | E |
| MFBL POWER CONTACT, .135 TAIL LENGTH | RA |
| STD POWER CONTACT, .135 TAIL LENGTH | RM |
| HOLD DOWN | HD |
| DESCRIPTION | IDENTIFIER |

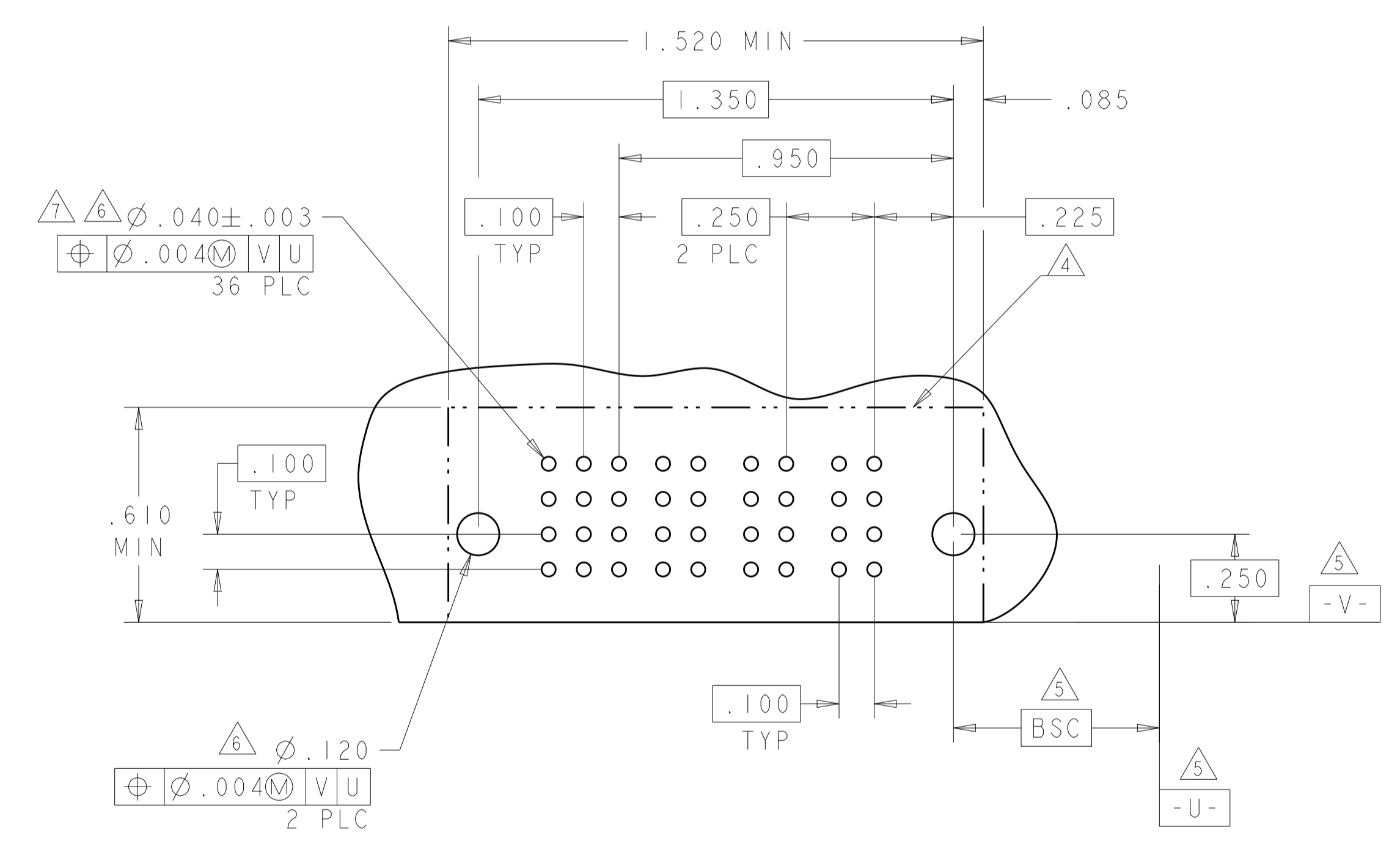
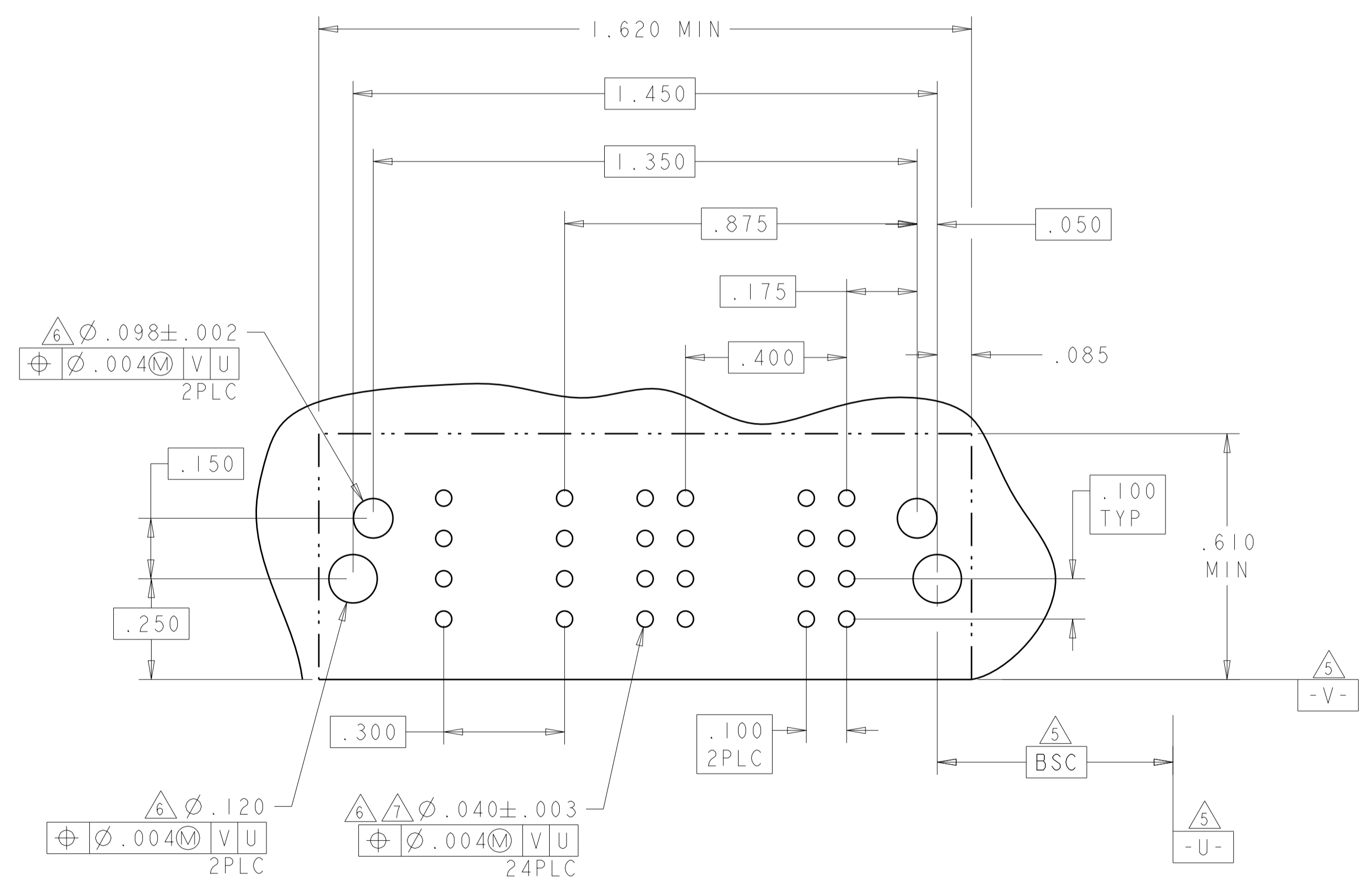
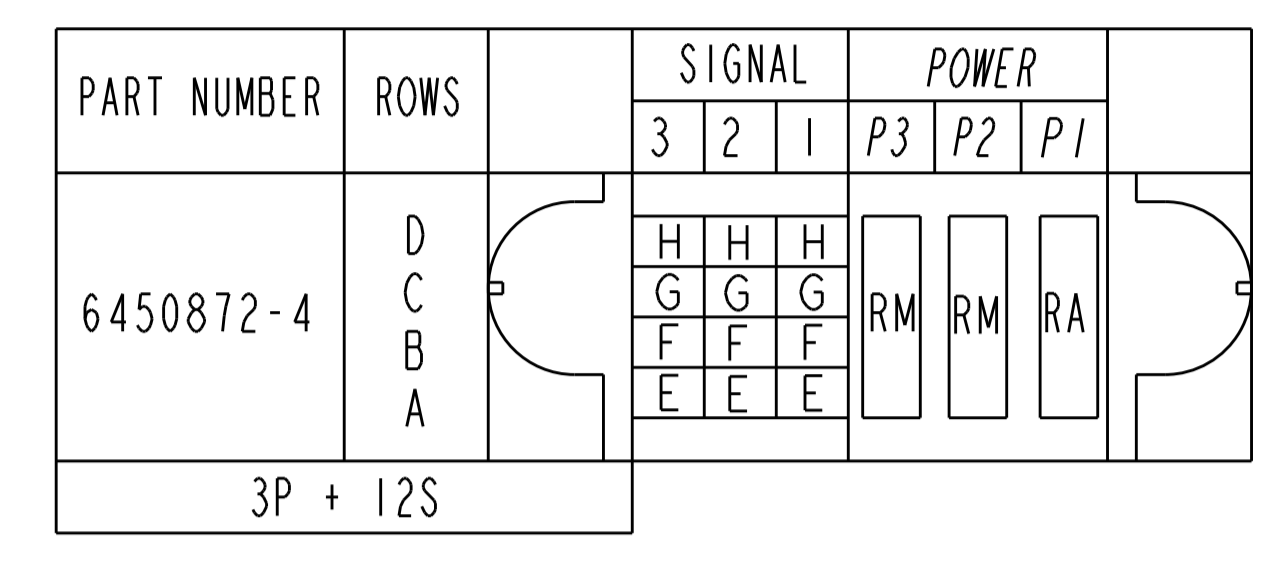
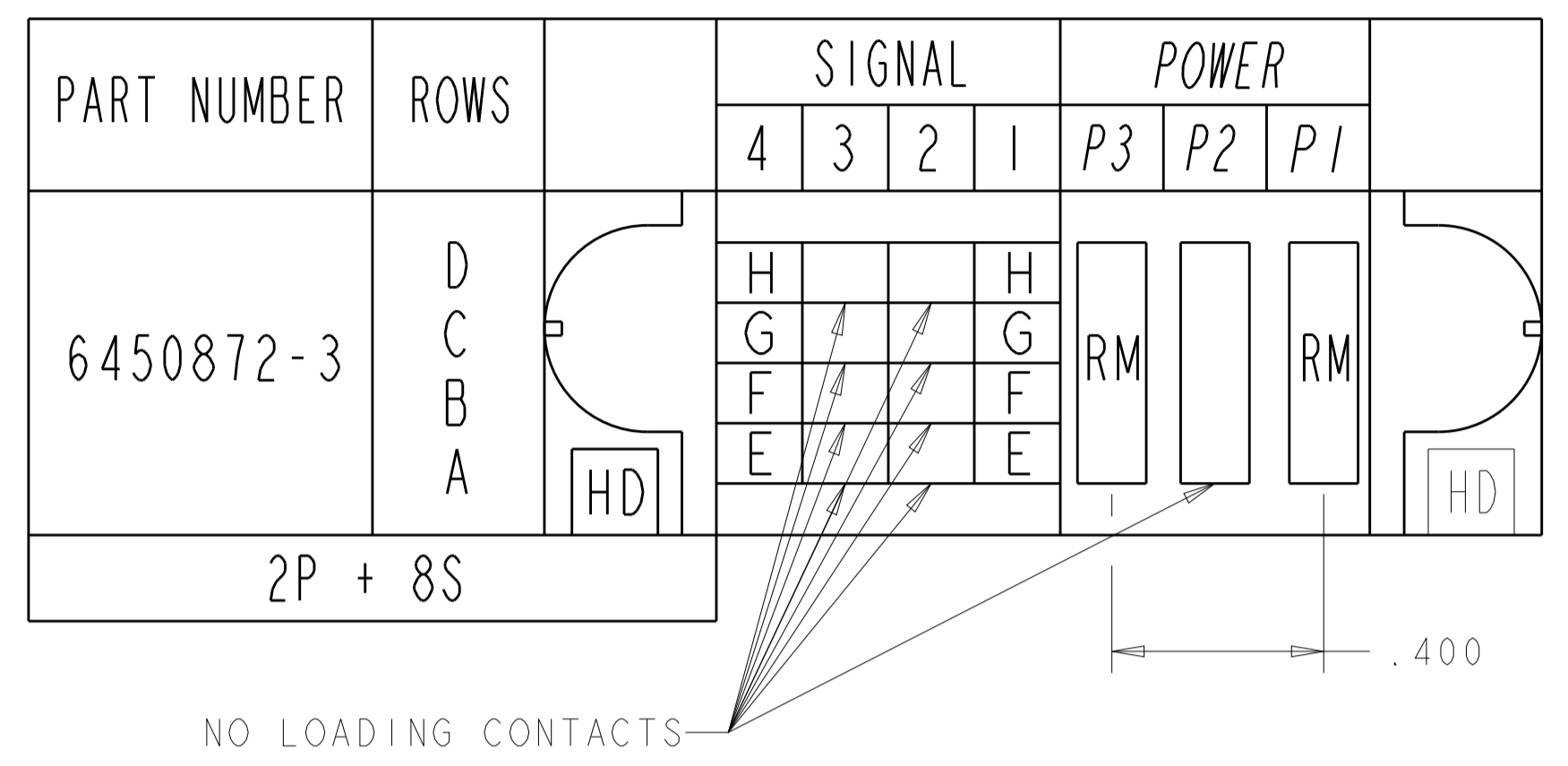
| | | | | |
|--|--------|------------------|---------|-----------|
| THIS DRAWING IS A CONTROLLED DOCUMENT. | | OWN | C. ZHOU | 06FEB2009 |
| DIMENSIONS: INCHES[MM] | | CHK | S. ZHAO | 06FEB2009 |
| TOLERANCES UNLESS OTHERWISE SPECIFIED: | | APPV | S. ZHAO | 06FEB2009 |
| 0 PLC | ± | PRODUCT SPEC | | |
| 2 PLC | ±.01 | 108-2292 | | |
| 3 PLC | ±.005 | APPLICATION SPEC | | |
| 4 PLC | ±.0020 | 114-13251 | | |
| ANGLES | ±.020 | WEIGHT | | |
| MATERIAL | FINISH | CUSTOMER DRAWING | | |
| | | SCALE | | 4:1 |
| | | SHEET | | 3 OF 11 |
| | | REV | | D.3 |

RIGHT ANGLE RECEPTACLE WITH LP AND SHORT END MODUAL MULTI-BEAM XLE

SIZE CAGE CODE DRAWING NO RESTRICTED TO

A100779C=6450872

| LOC | DIST | REVISIONS | | | |
|-----|------|-----------|-------------|------|----------|
| | | P. LTH | DESCRIPTION | DATE | DWN APVD |
| ES | 00 | - | SEE SHEET 1 | - | - |
| | | | | | |
| | | | | | |
| | | | | | |

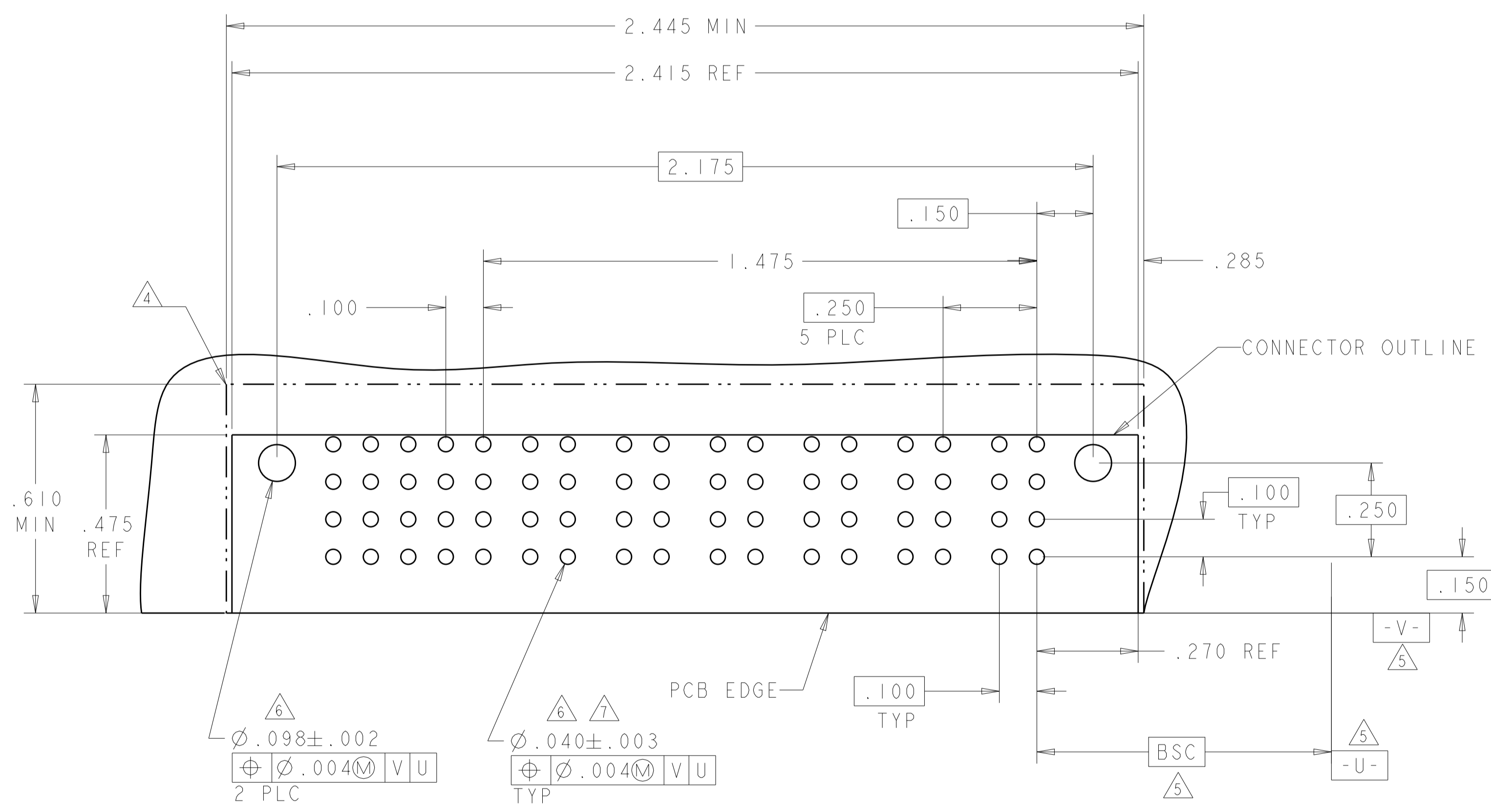


THIS DRAWING IS A CONTROLLED DOCUMENT.

| | | |
|------------------------|--|----------------------------------|
| DWN: C.ZHOU | 06FEB2009 | STE TE Connectivity |
| CHK: S.ZHAO | 06FEB2009 | |
| APVD: S.ZHAO | 06FEB2009 | |
| NAME: S.ZHAO | 06FEB2009 | |
| DIMENSIONS: INCHES(MM) | TOLERANCES UNLESS OTHERWISE SPECIFIED: | PRODUCT SPEC: 108-2292 |
| 0 PLC ±. | 1 PLC ±.01 | APPLICATION SPEC: 114-13251 |
| 2 PLC ±.01 | 3 PLC ±.005 | WEIGHT: - |
| 4 PLC ±.002 | ANGLES ±.2° | SCALE: 4:1 SHEET 4 OF 11 REV D.3 |
| MATERIAL: FINISH: | | CUSTOMER DRAWING |

| LOC | DIST | REVISIONS | | | | | |
|-----|------|-----------|-----|-------------|------|-----|------|
| | | P | LTH | DESCRIPTION | DATE | DMN | APVD |
| ES | 00 | - | - | SEE SHEET 1 | - | - | - |
| | | | | | | | |
| | | | | | | | |

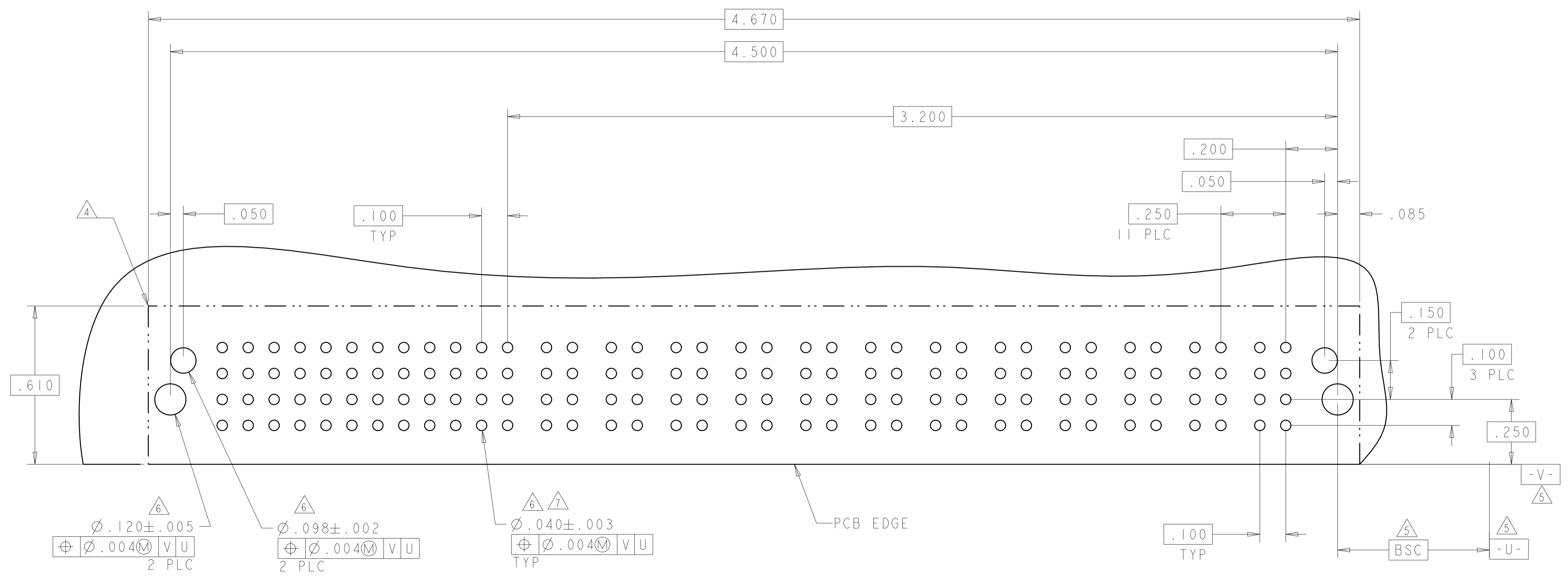
| PART NUMBER | ROWS | SIGNAL | | | | | POWER | | | | | | | | | | |
|-------------|------|--------|---|---|---|---|-------|----|----|----|----|----|----|--|--|--|--|
| | | 5 | 4 | 3 | 2 | 1 | P6 | P5 | P4 | P3 | P2 | P1 | | | | | |
| 6450872-6 | D | H | H | H | H | H | RA | RA | RA | RA | RM | RM | | | | | |
| | C | G | G | G | G | | | | | | | | | | | | |
| | B | F | F | F | F | | | | | | | | | | | | |
| | A | E | E | E | E | | | | | | | | | | | | |
| | | HD | | | | | | | | | | | HD | | | | |
| 6P + 20S | | | | | | | | | | | | | | | | | |



| | | | |
|--|--|------------------------------|---|
| THIS DRAWING IS A CONTROLLED DOCUMENT. | | DMN C. ZHOU 06FEB2009 | TE Connectivity |
| DIMENSIONS: INCHES(MM) | | CHK S. ZHAO 06FEB2009 | |
| TOLERANCES UNLESS OTHERWISE SPECIFIED: | | APVD S. ZHAO 06FEB2009 | NAME RIGHT ANGLE RECEPTACLE WITH LP AND SHORT END MODULAR MULTI-BEAM XLE |
| 0 PLC ±. 1 PLC ±. 2 PLC ±.01 3 PLC ±.005 4 PLC ±.0020 ANGLES ±.7° | | PRODUCT SPEC 108-2292 | SIZE 114-13251 |
| MATERIAL | | APPLICATION SPEC | RESTRICTED TO |
| FINISH | | WEIGHT | A100779C=6450872 |
| CUSTOMER DRAWING | | SCALE 4:1 | SHEET 5 OF 11 REV D3 |

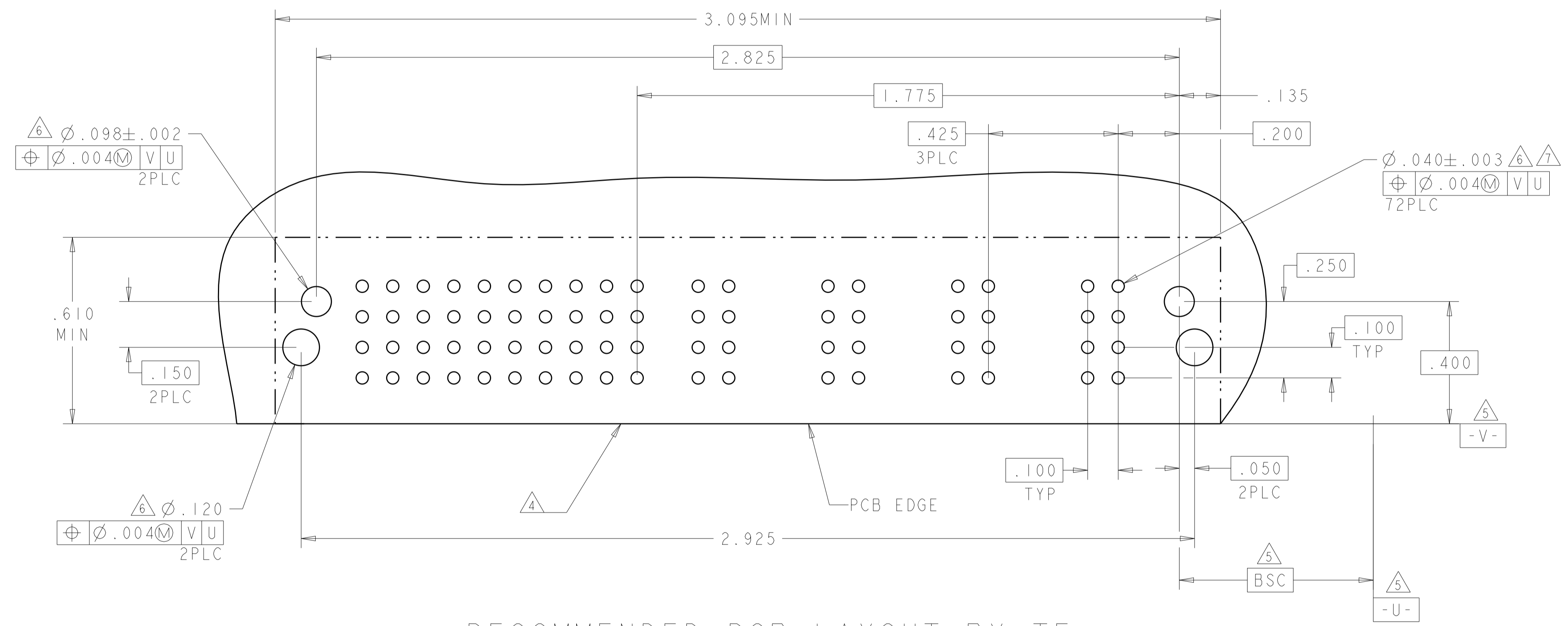
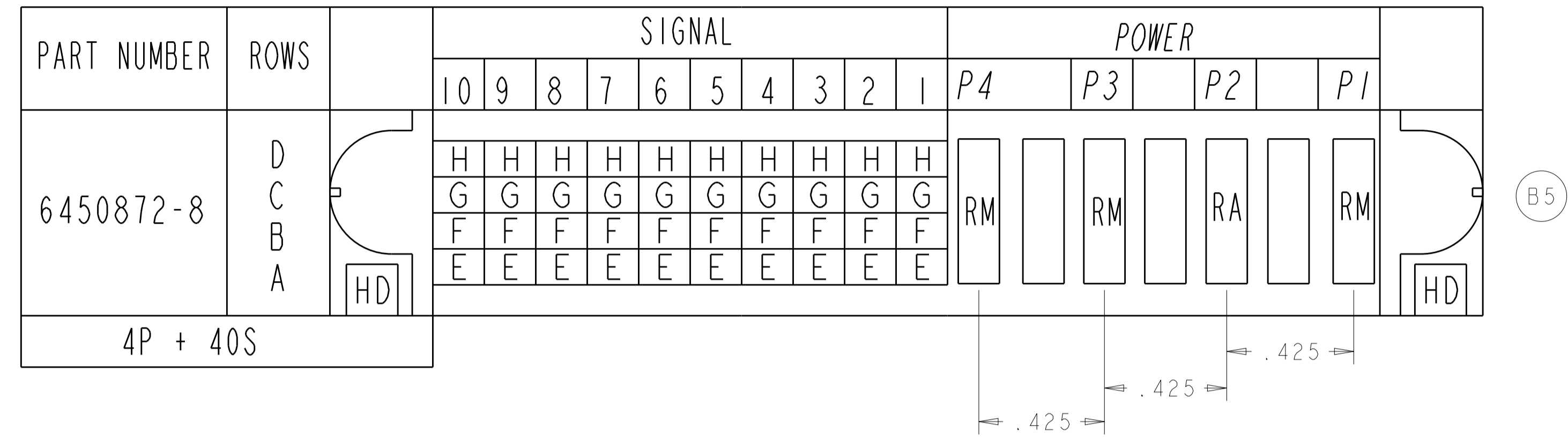
| LOC | DIST | REVISIONS | | | | | |
|-----|------|-----------|-----|-------------|------|-----|------|
| | | P | LTN | DESCRIPTION | DATE | DWN | APVD |
| ES | 00 | - | - | SEE SHEET 1 | - | - | - |

| PART NUMBER | ROWS | SIGNAL | | | | | | | | | | | POWER | | | | | | | | | | | | |
|-------------|------|--------|----|----|---|---|---|---|---|---|---|---|-------|-----|-----|-----|----|----|----|----|----|----|----|----|----|
| | | 12 | 11 | 10 | 9 | 8 | 7 | 6 | 5 | 4 | 3 | 2 | 1 | P12 | P11 | P10 | P9 | P8 | P7 | P6 | P5 | P4 | P3 | P2 | P1 |
| 6450872-7 | D | H | H | H | H | H | H | H | H | H | H | H | RM | RM | RM | RM | RM | RM | RM | RM | RM | RM | RM | RM | |
| | C | G | G | G | G | G | G | G | G | G | G | G | | | | | | | | | | | | | |
| | B | F | F | F | F | F | F | F | F | F | F | F | | | | | | | | | | | | | |
| | A | E | E | E | E | E | E | E | E | E | E | E | | | | | | | | | | | | | |
| 12P + 48S | | | | | | | | | | | | | | | | | | | | | | | | | |



| | | | |
|---|--|-------------------------------|--|
| THIS DRAWING IS A CONTROLLED DOCUMENT. | | DWN C. ZHOU 06FEB2009 | TE Connectivity |
| DIMENSIONS: INCHES(MM) | | CHK S. ZHAO 06FEB2009 | |
| TOLERANCES UNLESS OTHERWISE SPECIFIED: | | APVD S. ZHAO 06FEB2009 | NAME RIGHT ANGLE RECEPTACLE WITH LP AND SHORT END MODUAL MULTI-BEAM XLE |
| 0 PLC ± 1 PLC ±.01 2 PLC ±.01 3 PLC ±.005 4 PLC ±.0020 ANGLES ±.2° | | PRODUCT SPEC 108-2292 | SIZE A100779 |
| MATERIAL | | APPLICATION SPEC 114-13251 | RESTRICTED TO |
| FINISH | | WEIGHT | SCALE 4:1 SHEET 6 OF 11 REV D3 |
| | | CUSTOMER DRAWING | SCALE 4:1 SHEET 6 OF 11 REV D3 |

| LOC | DIST | REVISIONS | | | | | |
|-----|------|-----------|-----|-------------|------|-----|------|
| ES | 00 | P | LTN | DESCRIPTION | DATE | DWN | APVD |
| | | - | | SEE SHEET 1 | - | - | - |



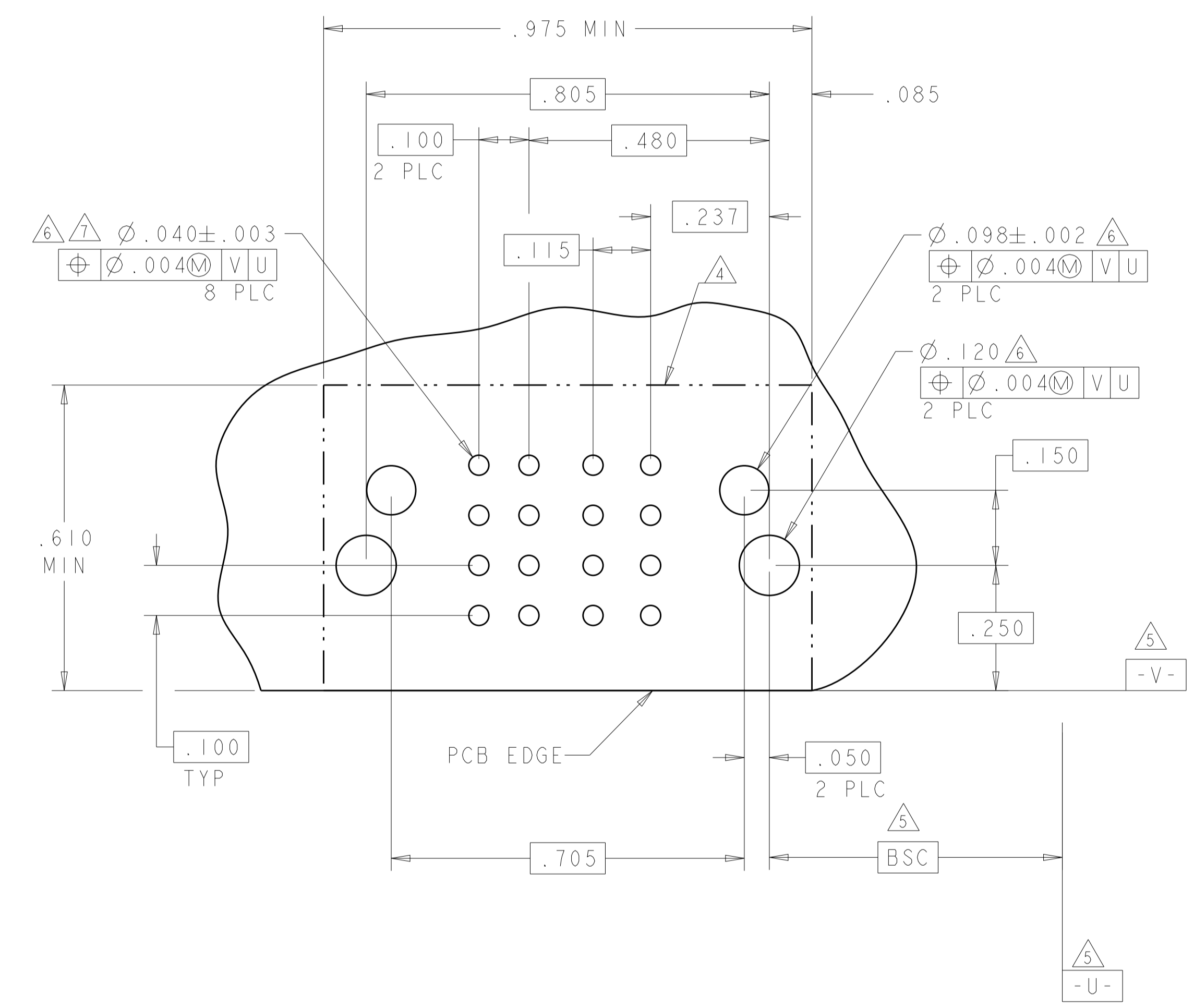
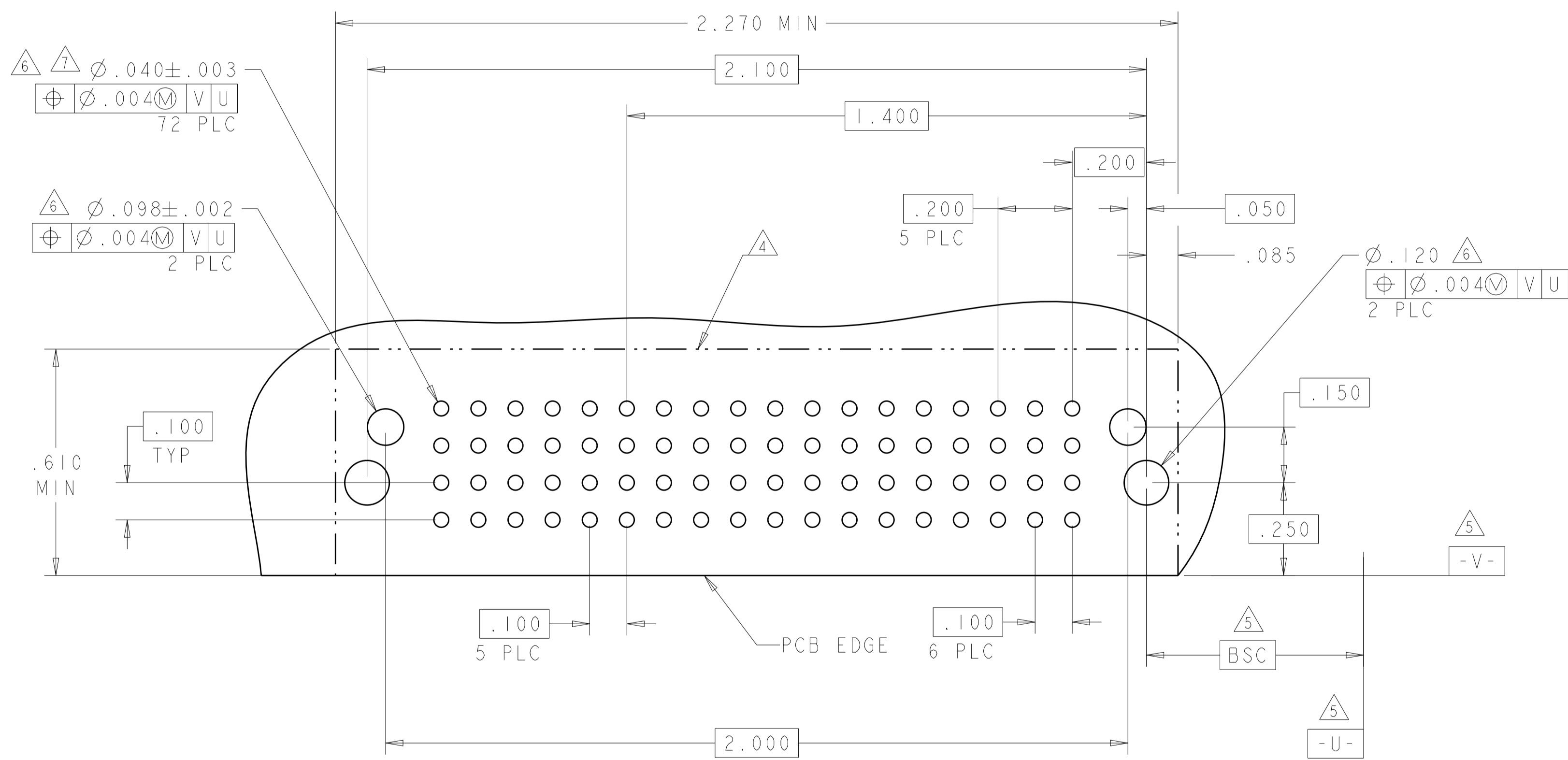
RECOMMENDED PCB LAYOUT BY TE

| | | | |
|---|--|-------------------------------|---|
| THIS DRAWING IS A CONTROLLED DOCUMENT. | | DWN C. ZHOU 06FEB2009 | |
| DIMENSIONS: INCHES(MM) | | CHK S. ZHAO 06FEB2009 | |
| | | APVD S. ZHAO 06FEB2009 | NAME RIGHT ANGLE RECEPTACLE WITH LP AND SHORT END MODULAR MULTI-BEAM XLE |
| TOLERANCES UNLESS OTHERWISE SPECIFIED: | | PRODUCT SPEC 108-2292 | SIZE A100779C=6450872 |
| 0 PLC ± 1 PLC ±.01 2 PLC ±.01 3 PLC ±.005 4 PLC ±.0020 ANGLES ±.2° | | APPLICATION SPEC 114-13251 | RESTRICTED TO |
| MATERIAL | | WEIGHT | SCALE 4:1 SHEET 7 OF 11 REV D3 |
| FINISH | | CUSTOMER DRAWING | |

| LOC | DIST | REV | DATE | BY | APPV |
|-------------|------|-----|------|----|------|
| ES | 00 | | | | |
| DESCRIPTION | | | DATE | BY | APPV |
| SEE SHEET 1 | | | | | |

| PART NUMBER | ROWS | SIGNAL | | | | | | POWER | | | | | |
|-------------|------------------|--------|---|---|---|---|---|-------|----|----|----|----|----|
| | | 6 | 5 | 4 | 3 | 2 | 1 | P6 | P5 | P4 | P3 | P2 | P1 |
| 6450872-9 | D C B A | H | H | H | H | H | H | RM | RM | RM | RM | RM | RM |
| | | G | G | G | G | G | G | | | | | | |
| | | F | F | F | F | F | F | | | | | | |
| | | E | E | E | E | E | E | | | | | | |
| 6HDP + 24S | | | | | | | | | | | | | |

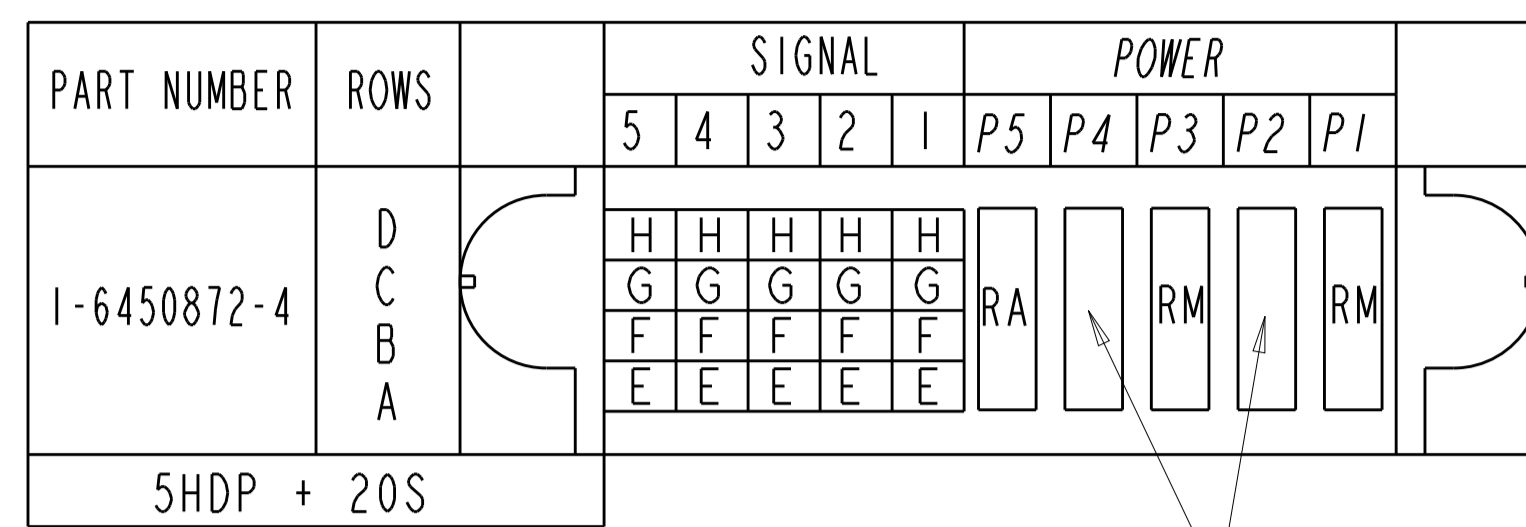
| PART NUMBER | ROWS | SIGNAL | | LOW POWER | |
|-------------|------------------|--------|---|-----------|-----|
| | | 2 | 1 | LP2 | LPI |
| 1-6450872-3 | D C B A | H | H | LM | LM |
| | | G | G | | |
| | | F | F | | |
| | | E | E | | |
| 2LP + 8S | | | | | |



B9

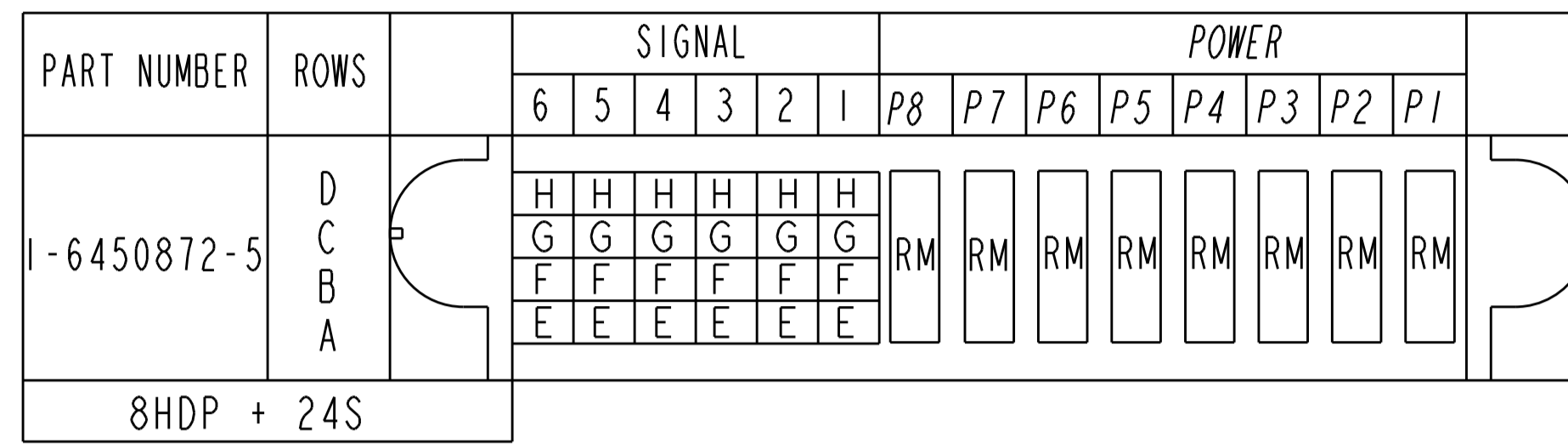
| | | | |
|--|--|-----------------------------|---|
| THIS DRAWING IS A CONTROLLED DOCUMENT. | | OWN: C. ZHOU 06FEB2009 | TE Connectivity |
| DIMENSIONS: INCHES(MM) | | CHK: S. ZHAO 06FEB2009 | |
| TOLERANCES UNLESS OTHERWISE SPECIFIED: | | APVD: S. ZHAO 06FEB2009 | NAME: RIGHT ANGLE RECEPTACLE WITH LP AND SHORT END MODULAR MULTI-BEAM XLE |
| 0 PLC ±.01 | | PRODUCT SPEC: 108-2292 | |
| 1 PLC ±.01 | | APPLICATION SPEC: 114-13251 | SIZE: A100779 C=6450872 |
| 2 PLC ±.01 | | WEIGHT: - | |
| 3 PLC ±.01 | | CUSTOMER DRAWING | RESTRICTED TO: - |
| 4 PLC ±.005 | | SCALE: 4:1 | SHEET: 8 OF 11 |
| 5 PLC ±.002 | | REV: D3 | |
| ANGLES: ±.020 | | | |
| FINISH: #2 | | | |

| LOC | DIST | REV | DATE | BY | APPD |
|-----|------|-------------|------|----|------|
| ES | 00 | | | | |
| | | REVISIONS | | | |
| | | DESCRIPTION | DATE | BY | APPD |
| | | SEE SHEET 1 | | | |

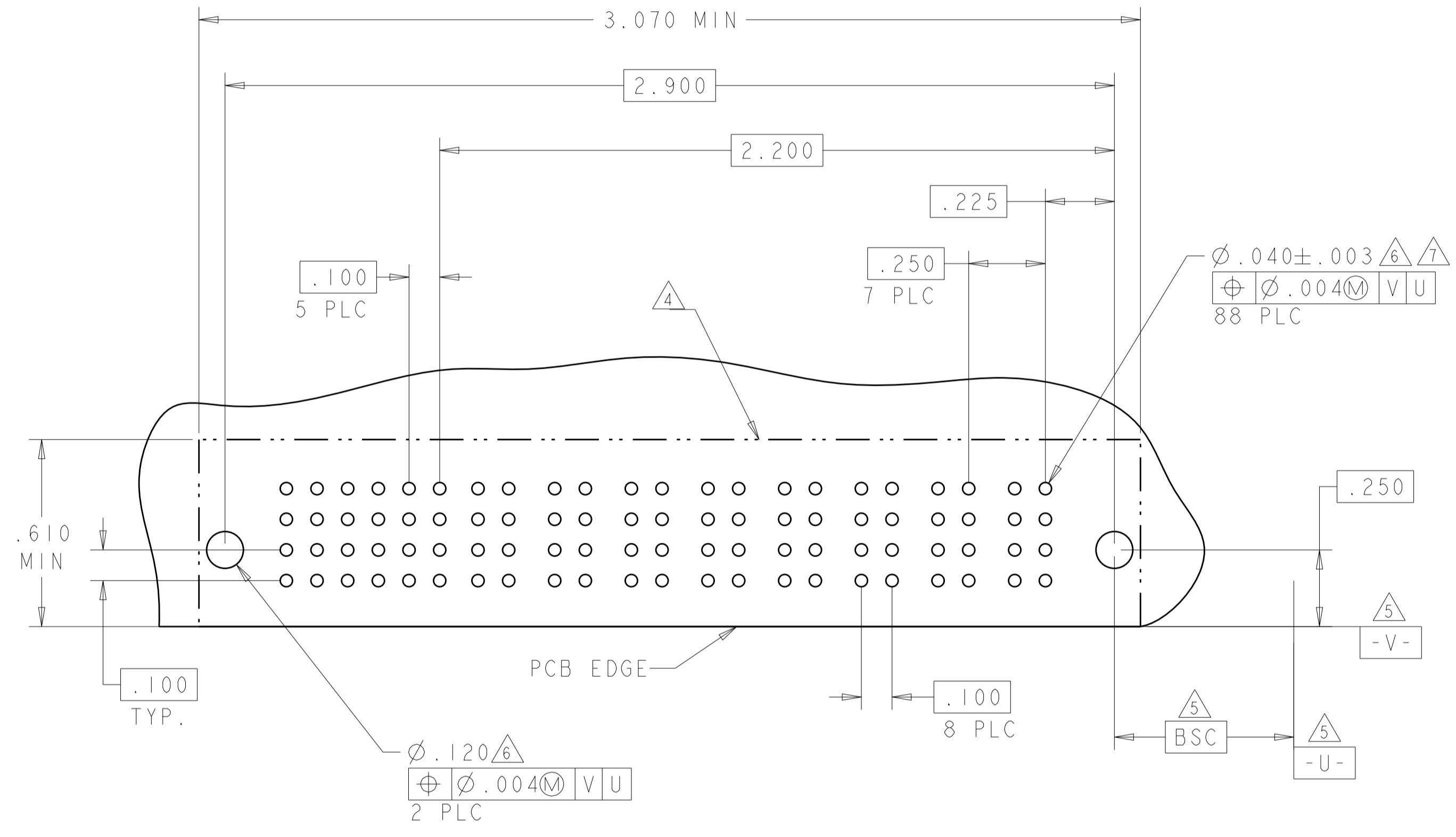
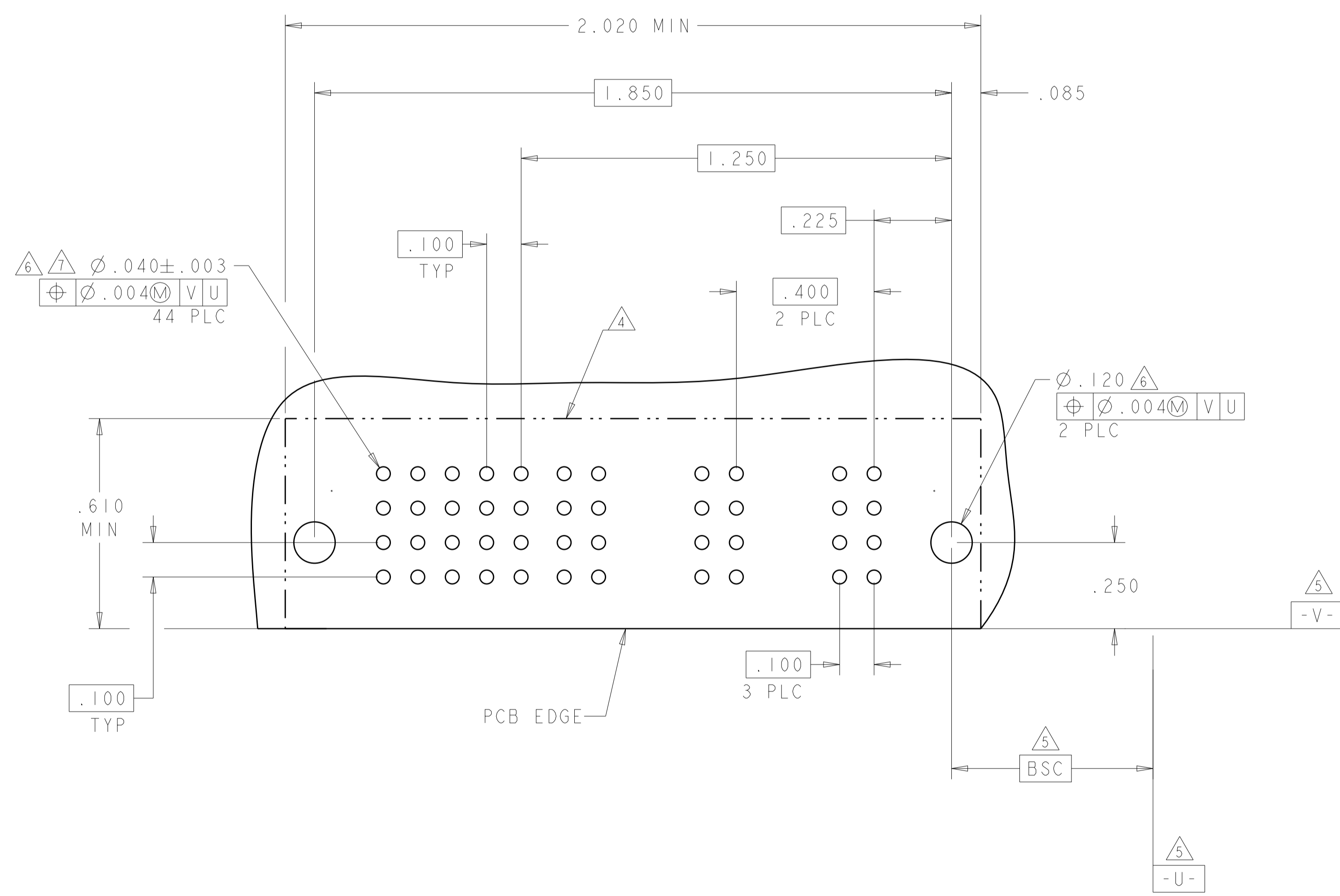


5HDP + 20S

NO CONTACTS LOADED



8HDP + 24S



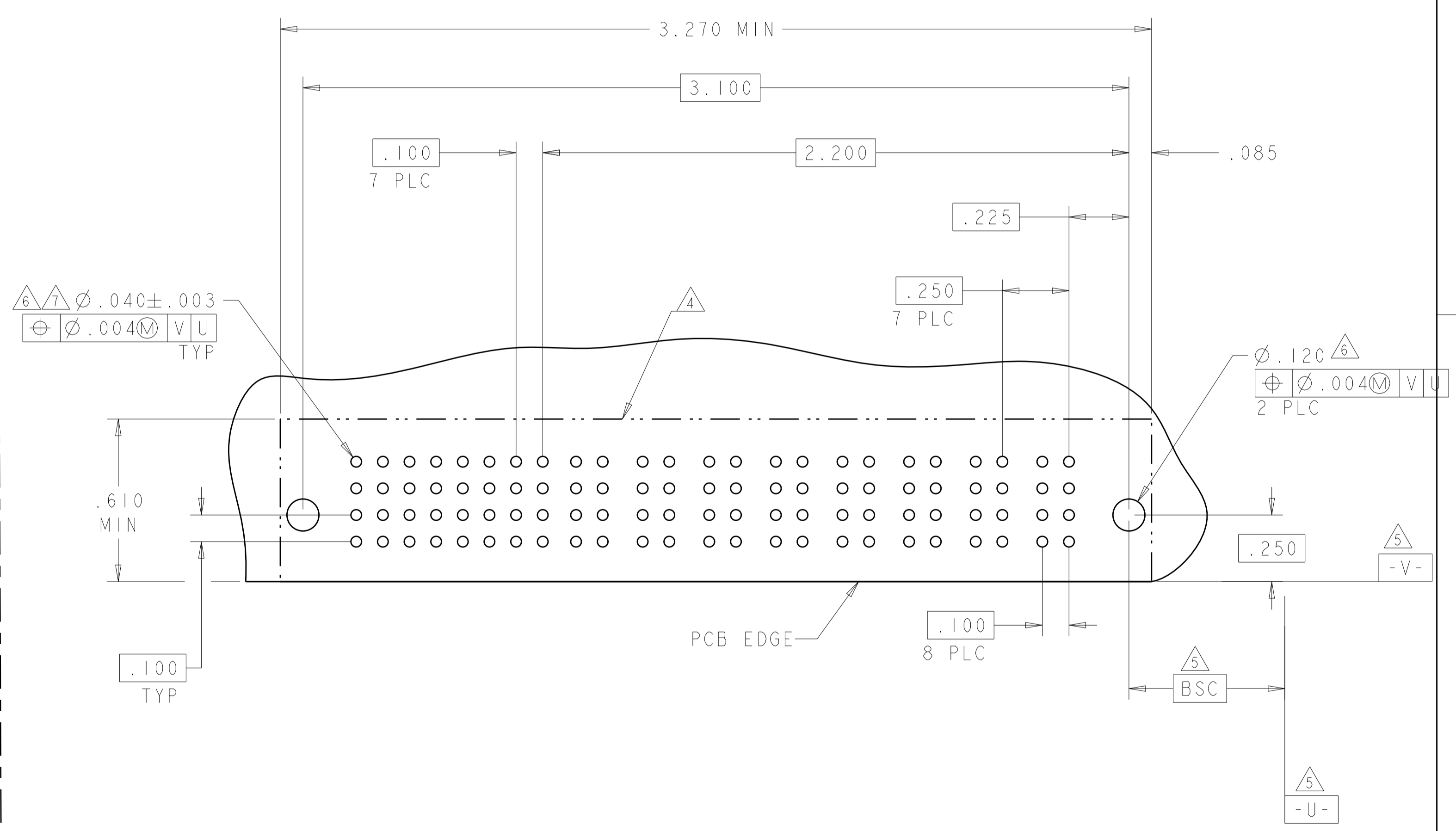
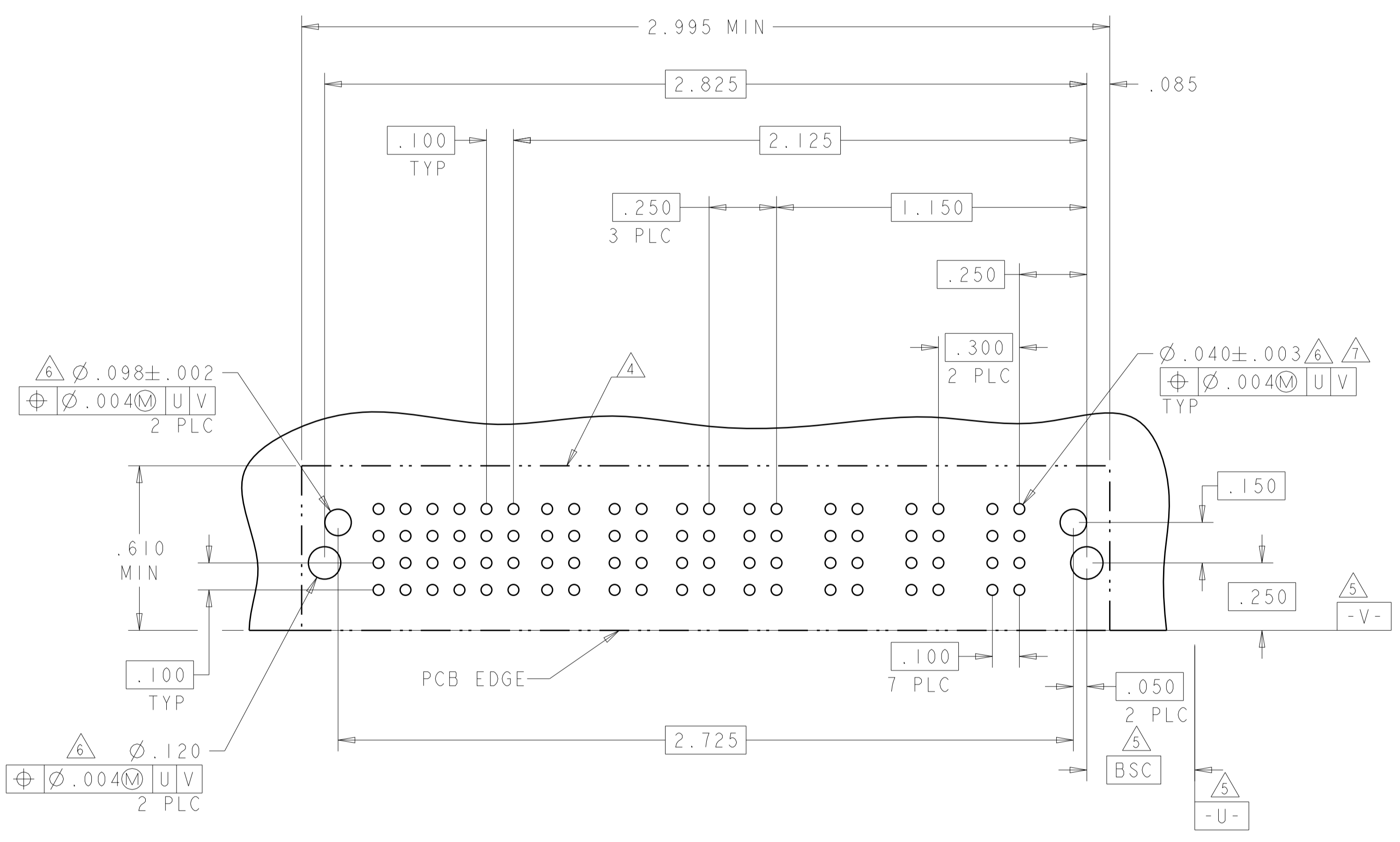
| | | | | |
|--|--|-----------------------------|---------------------------------------|---|
| THIS DRAWING IS A CONTROLLED DOCUMENT. | | OWN: C.ZHOU 06FEB2009 | | TE Connectivity |
| DIMENSIONS: INCHES(MM) | | CHK: S.ZHAO 06FEB2009 | | NAME: RIGHT ANGLE RECEPTACLE WITH LP AND SHORT END MODULAR MULTI-BEAM XLE |
| TOLERANCES UNLESS OTHERWISE SPECIFIED: | | APVD: S.ZHAO 06FEB2009 | SIZE: CAGE CODE DRAWING NO: 114-13251 | |
| 0 PLC ±.01 | | PRODUCT SPEC: 108-2292 | RESTRICTED TO: A100779C=6450872 | |
| 1 PLC ±.01 | | APPLICATION SPEC: 114-13251 | SCALE: 4:1 | |
| 2 PLC ±.01 | | WEIGHT: - | SHEET 9 OF 11 | |
| 3 PLC ±.005 | | CUSTOMER DRAWING | REV D3 | |
| 4 PLC ±.002 | | | | |
| ANGLES ±.020 | | | | |
| FINISH | | | | |

| LOC | DIST | REV | DATE | BY | APPV |
|-----------|------|-----|-------------|------|------|
| ES | 00 | | | | |
| REVISIONS | | | DESCRIPTION | DATE | BY |
| | | | SEE SHEET 1 | | |

| PART NUMBER | ROWS | SIGNAL | | | | | | POWER | | | | | | |
|-----------------|------------------|--------|---|---|---|---|---|-------|----|----|----|----|----|----|
| | | 6 | 5 | 4 | 3 | 2 | 1 | P7 | P6 | P5 | P4 | P3 | P2 | P1 |
| 1-6450872-6 | D C B A | H | H | H | H | H | H | RM | RM | RM | RM | RA | RM | RM |
| | | G | G | G | G | G | G | | | | | | | |
| | | F | F | F | F | F | F | | | | | | | |
| | | E | E | E | E | E | E | | | | | | | |
| 3ACP + 4P + 24S | | | | | | | | | | | | | | |

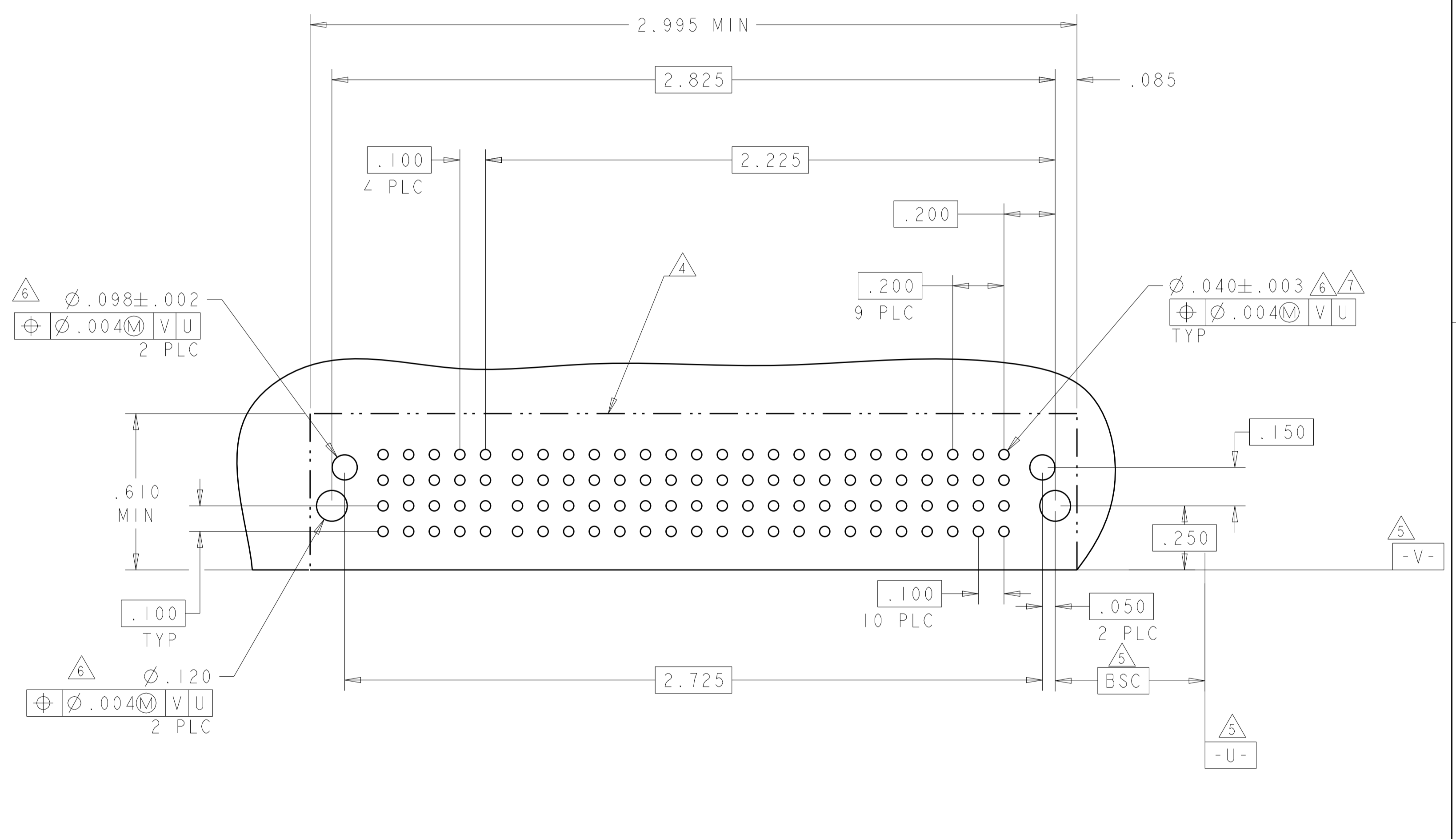
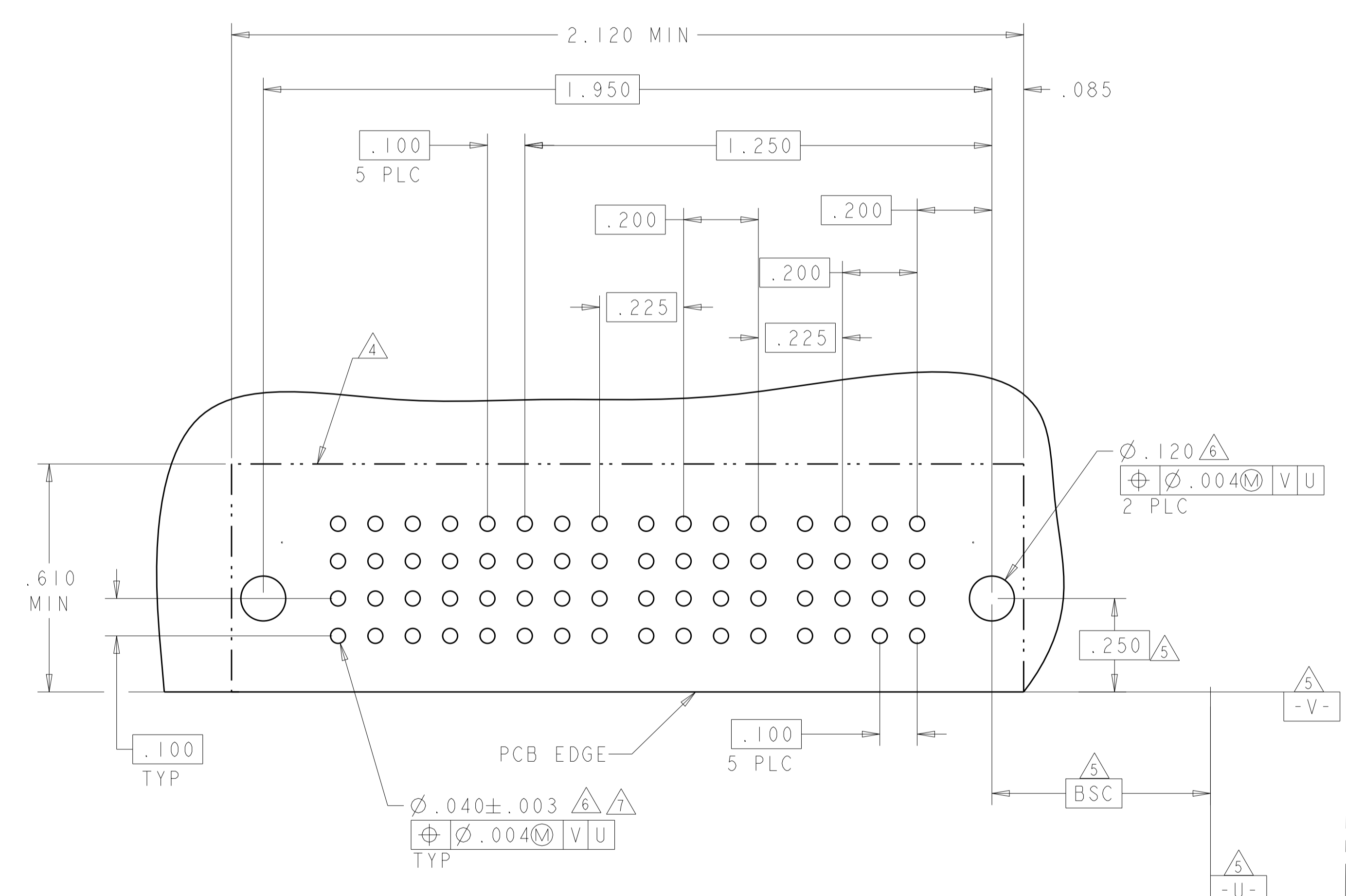
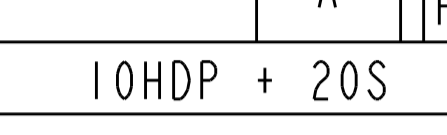
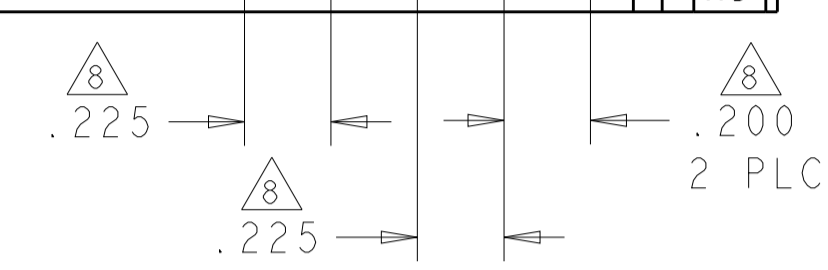
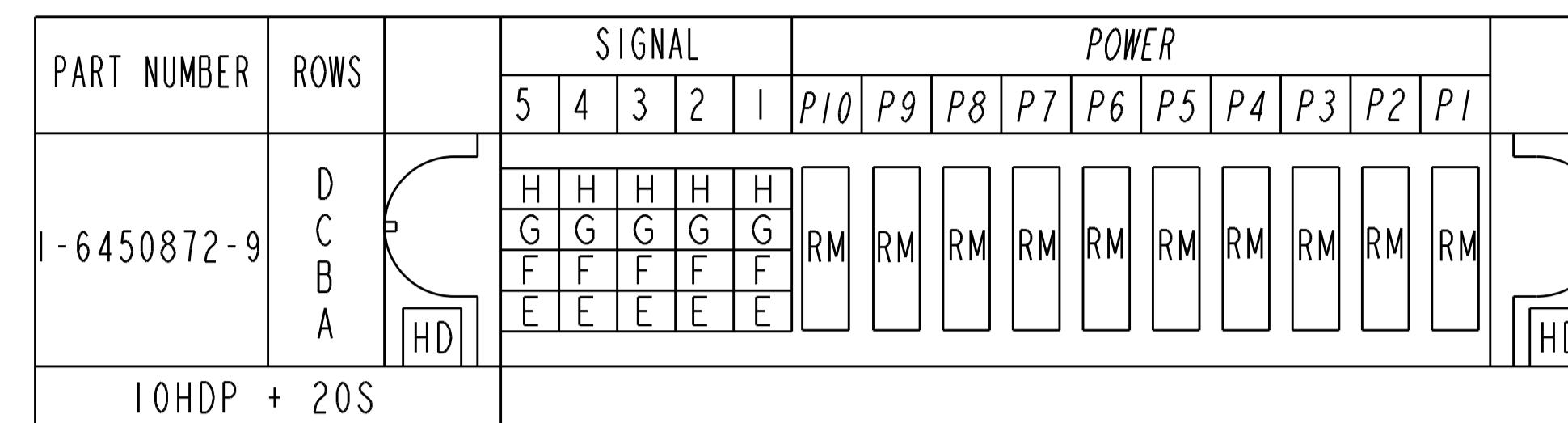
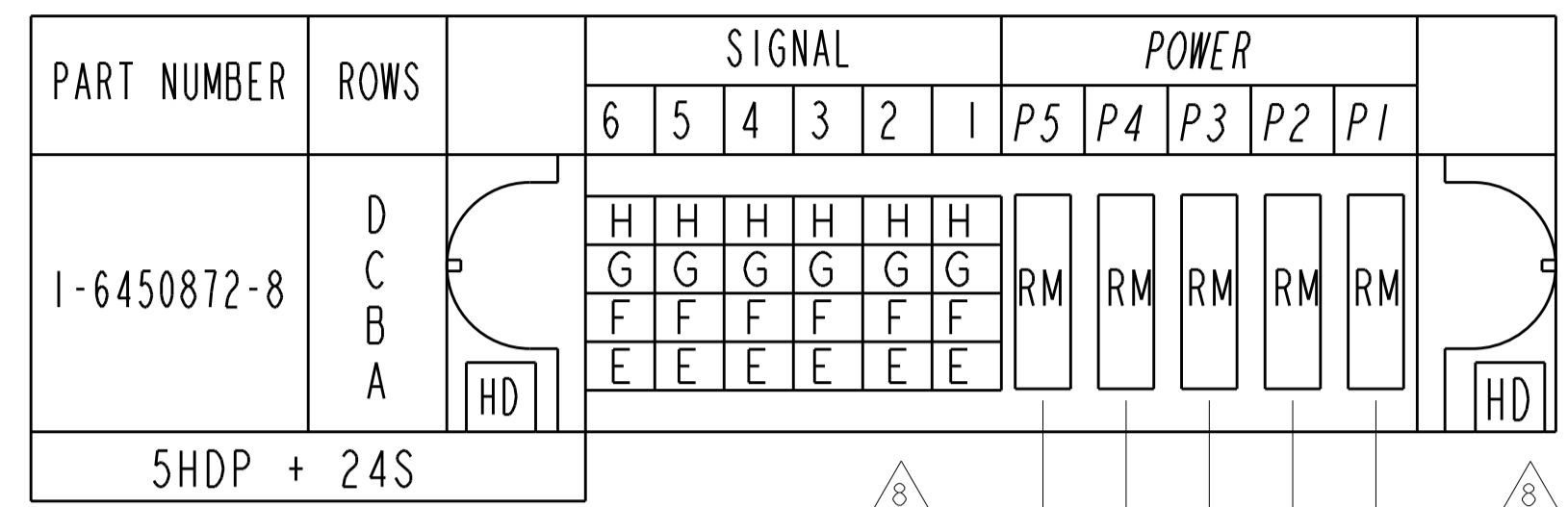
$\begin{matrix} \triangle 8 \\ .250 \\ 3 \text{ PLC} \end{matrix}$
 $\begin{matrix} \triangle 8 \\ .300 \\ 3 \text{ PLC} \end{matrix}$

| PART NUMBER | ROWS | SIGNAL | | | | | | | | POWER | | | | | | | |
|-------------|------------------|--------|---|---|---|---|---|---|---|-------|----|----|----|----|----|----|----|
| | | 8 | 7 | 6 | 5 | 4 | 3 | 2 | 1 | P8 | P7 | P6 | P5 | P4 | P3 | P2 | P1 |
| 1-6450872-7 | D C B A | H | H | H | H | H | H | H | H | RA | RM | RM | RM | RM | RM | RM | RM |
| | | G | G | G | G | G | G | G | G | | | | | | | | |
| | | F | F | F | F | F | F | F | F | | | | | | | | |
| | | E | E | E | E | E | E | E | E | | | | | | | | |
| 8P + 32S | | | | | | | | | | | | | | | | | |



| | | | | |
|--|--|-------------------------|-----------------------------------|---|
| THIS DRAWING IS A CONTROLLED DOCUMENT. | | OWN: C. ZHOU 06FEB2009 | | TE Connectivity |
| DIMENSIONS: INCHES(MM) | | CHK: S. ZHAO 06FEB2009 | | NAME: RIGHT ANGLE RECEPTACLE WITH LP AND SHORT END MODULAR MULTI-BEAM XLE |
| TOLERANCES UNLESS OTHERWISE SPECIFIED: | | APVD: S. ZHAO 06FEB2009 | RESTRICTED TO | |
| 0 PLC ± | | PRODUCT SPEC | SIZE: CAGE CODE DRAWING NO | |
| 1 PLC ±.01 | | APPLICATION SPEC | A100779C=6450872 | |
| 2 PLC ±.01 | | WEIGHT | SCALE: 4:1 SHEET 10 OF 11 REV: D3 | |
| 3 PLC ±.005 | | CUSTOMER DRAWING | | |
| 4 PLC ±.0020 | | | | |
| ANGLES ±.2° | | | | |
| FINISH | | | | |

| LOC | DIST | REV | DATE | APVD |
|-----|------|-----|-------------|------|
| ES | 00 | 1 | SEE SHEET 1 | - |



| | | | | | | |
|--|---|---|-------------------------------------|---------------------|---|---|
| THIS DRAWING IS A CONTROLLED DOCUMENT. | | OWN C. ZHOU CHK S. ZHAO APVD S. ZHAO | 06FEB2009 06FEB2009 06FEB2009 | TE Connectivity | NAME RIGHT ANGLE RECEPTACLE WITH LP AND SHORT END MODULAR MULTI-BEAM XLE | RESTRICTED TO |
| DIMENSIONS: INCHES [MM] | TOLERANCES UNLESS OTHERWISE SPECIFIED: | PRODUCT SPEC 108-2292 | | | SIZE 114-13251 | A100779 C=6450872 SHEET 11 OF 11 REV D3 |
| 0 PLC ±. 1 PLC ±.01 2 PLC ±.01 3 PLC ±.005 4 PLC ±.0020 ANGLES ±.7° | FINISH MATERIAL | APPLICATION SPEC | | | WEIGHT | |
| MATERIAL | | CUSTOMER DRAWING | | | SCALE 4:1 | REV |