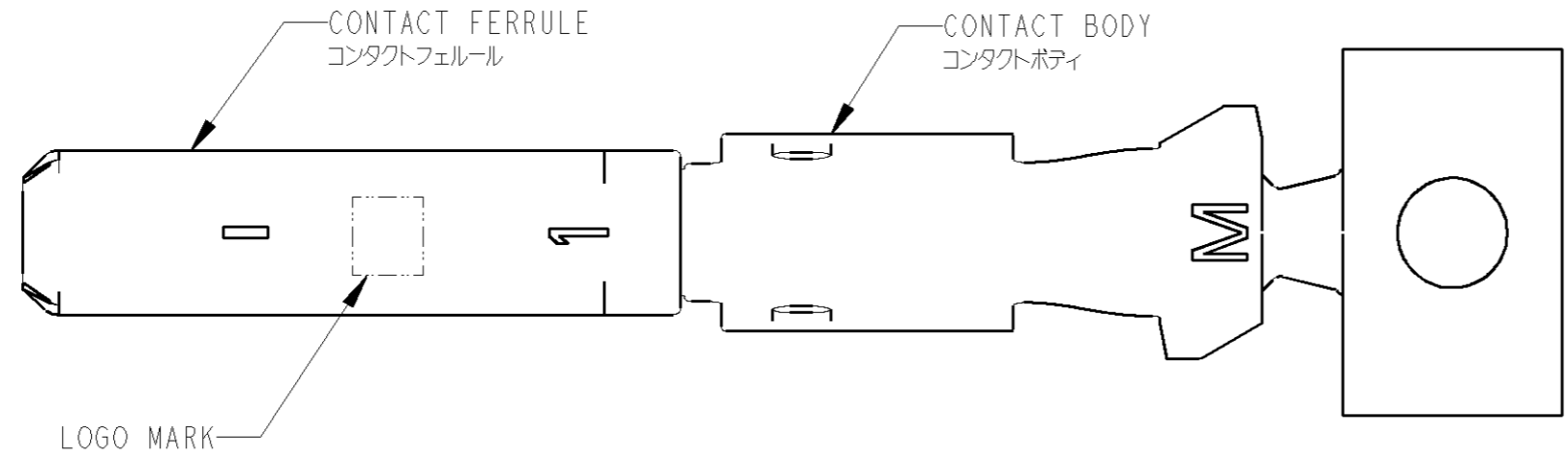
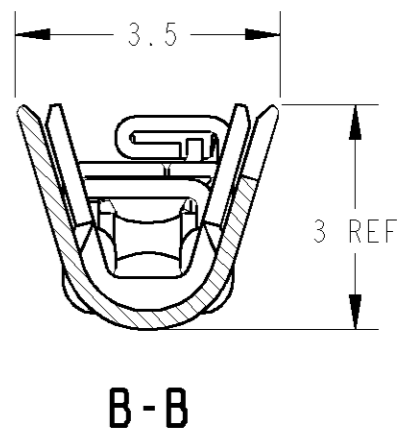
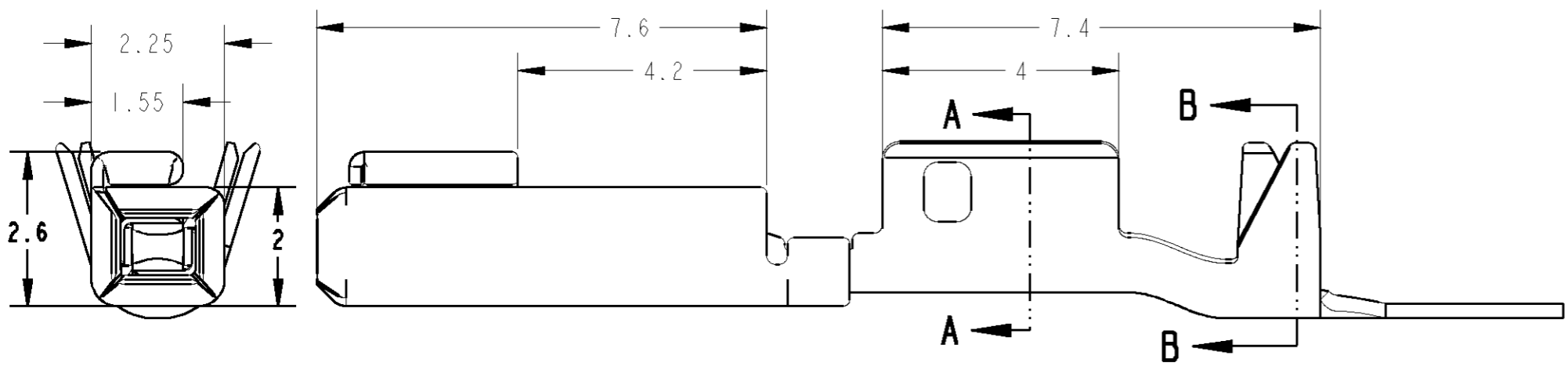
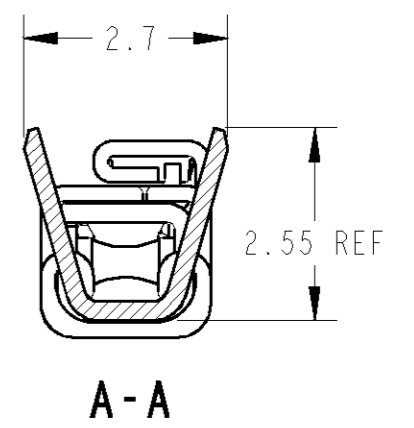
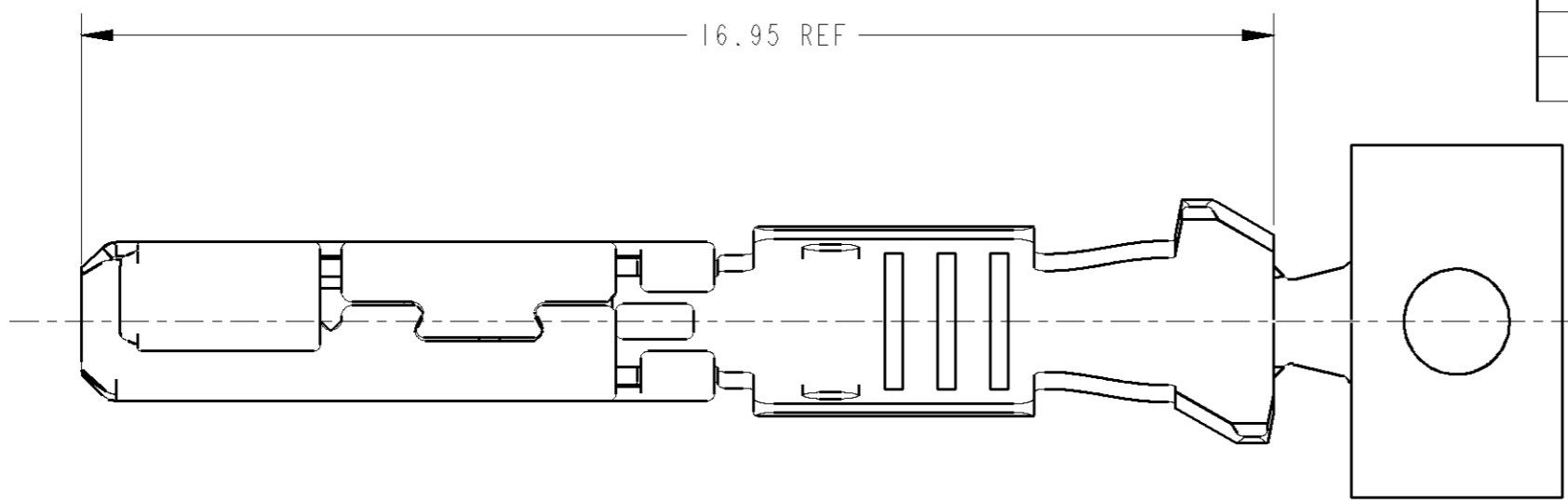


THIS DRAWING IS UNPUBLISHED. RELEASED FOR PUBLICATION
 © COPYRIGHT 20 BY TYCO ELECTRONICS CORPORATION. ALL RIGHTS RESERVED.

LOC	DIST	REVISIONS						
J	-	P	LTR	DESCRIPTION	ECN	DATE	DWN	APVD
			A	REVISED	FJA0-0060-04	26-Jan-04	Y.N	Y.F
			B	REVISED	ECR-10-005857	13MAY10	SF	KB



I. APPLICATOR FEED: 9mm
 I. アプリケータ送りピッチ: 9mm

BRASS PRE-TIN	COPPER ALLOY PRE-TIN	1318332-1
CONTACT FERRULE コンタクトフェルル	CONTACT BODY コンタクトボディ	AMP PART NUMBER
MATERIAL / FINISH 材料 / 仕上		

WIRE RANGE 包合電線断面積	0.75~1.25mm ²	INSULATION DIA 被覆外径	φ1.6~2.2
-----------------------	--------------------------	------------------------	----------

THIS DRAWING IS A CONTROLLED DOCUMENT FOR TYCO ELECTRONICS CORPORATION IT IS SUBJECT TO CHANGE AND THE CONTROLLING ENGINEERING ORGANIZATION SHOULD BE CONTACTED FOR THE LATEST REVISION.		DWN	Y. FUJIWALA	180CT99
DIMENSIONS: 単位: 概 mm		CHK	K. ODA	190CT99
TOLERANCES UNLESS OTHERWISE SPECIFIED: 一般公差 = ± 0.2		APVD	K. ODA	190CT99
0 PLC ±		PRODUCT SPEC 製品規格		
1 PLC ±0.1		APPLICATION SPEC 取付適用規格		
2 PLC ±0.05		114-5278		
3 PLC ±0.025		WEIGHT	0.31g	
4 PLC ±0.001		SIZE		
ANGLES ±3deg		A3 00779 C=1318332		
MATERIAL 材料	COPPER ALLOY	FINISH 仕上	SEE TABLE	
CUSTOMER DRAWING		SCALE 尺度	10:1	
		SHEET	OF	REV
				B

Tyco Electronics Tyco Electronics JAPAN G.K.
Kawasaki, Japan

NAME
名称
REC CONTACT ASSY M RANGE
CLEAN BODY 040 CONNECTOR

RESTRICTED TO