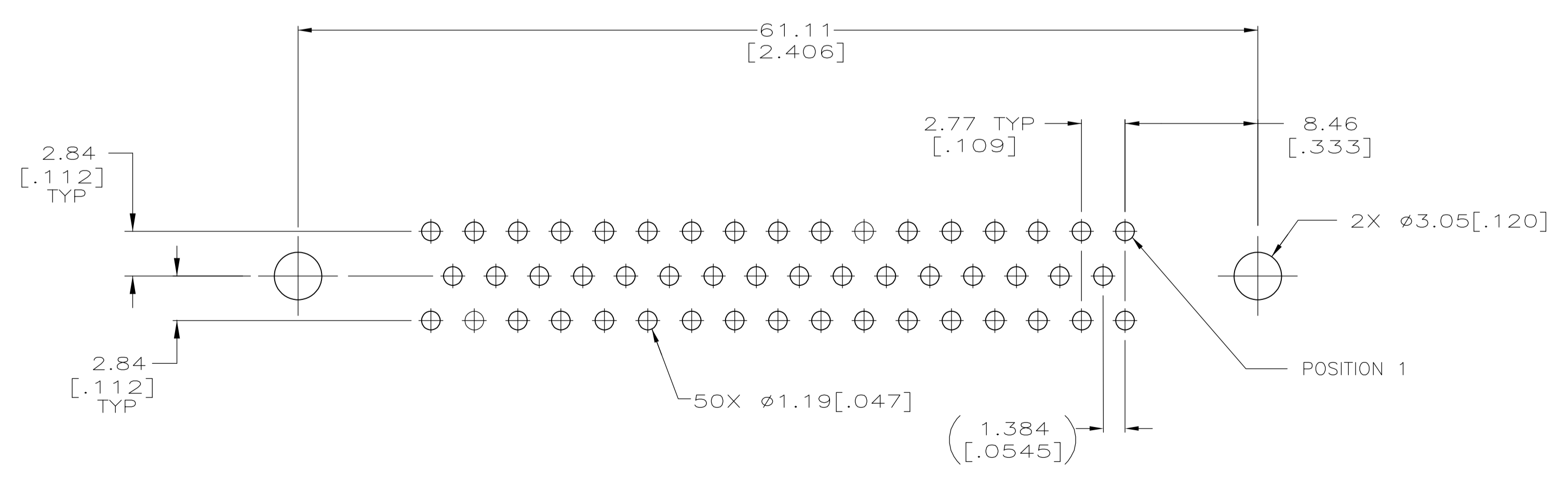
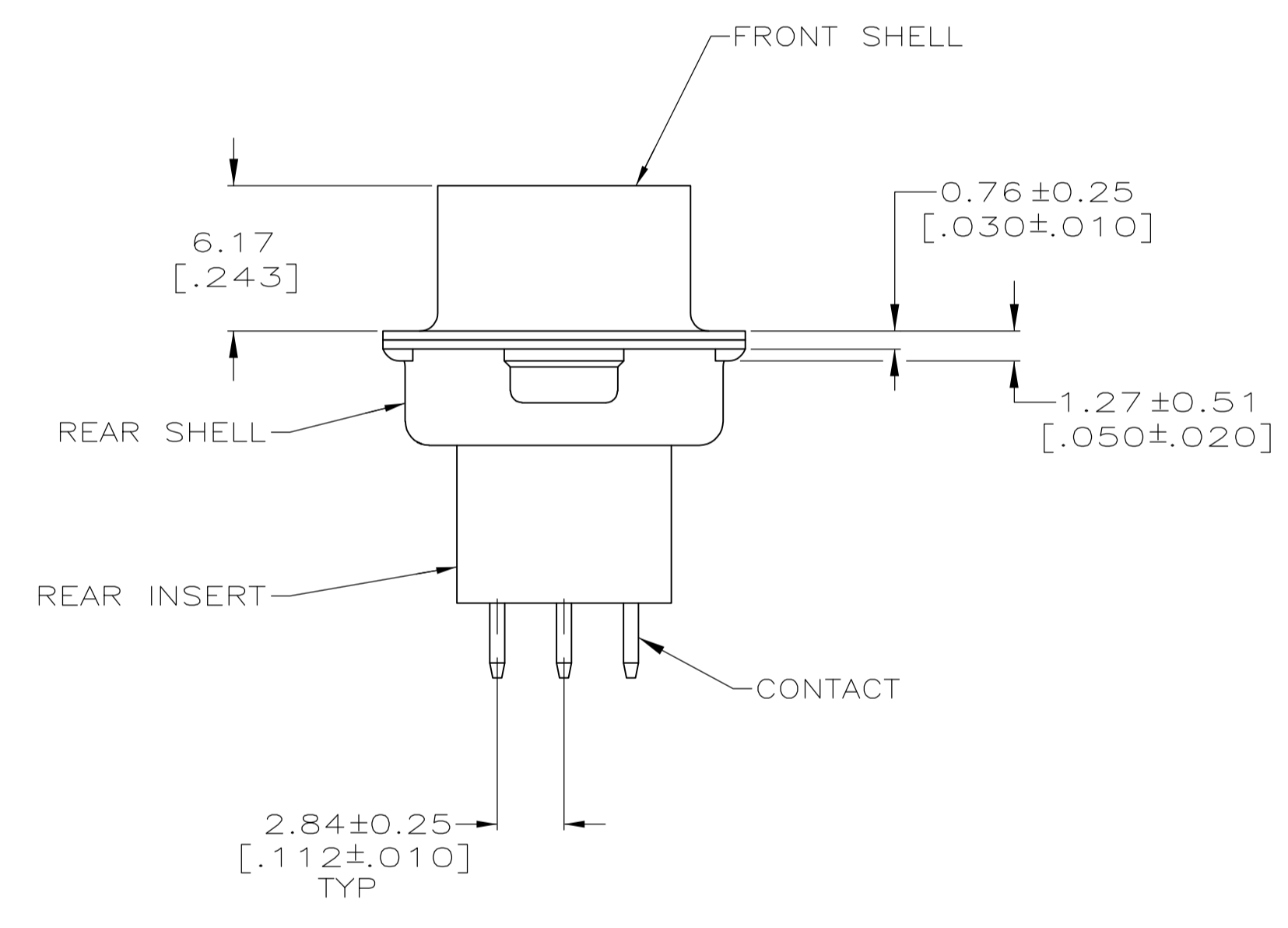
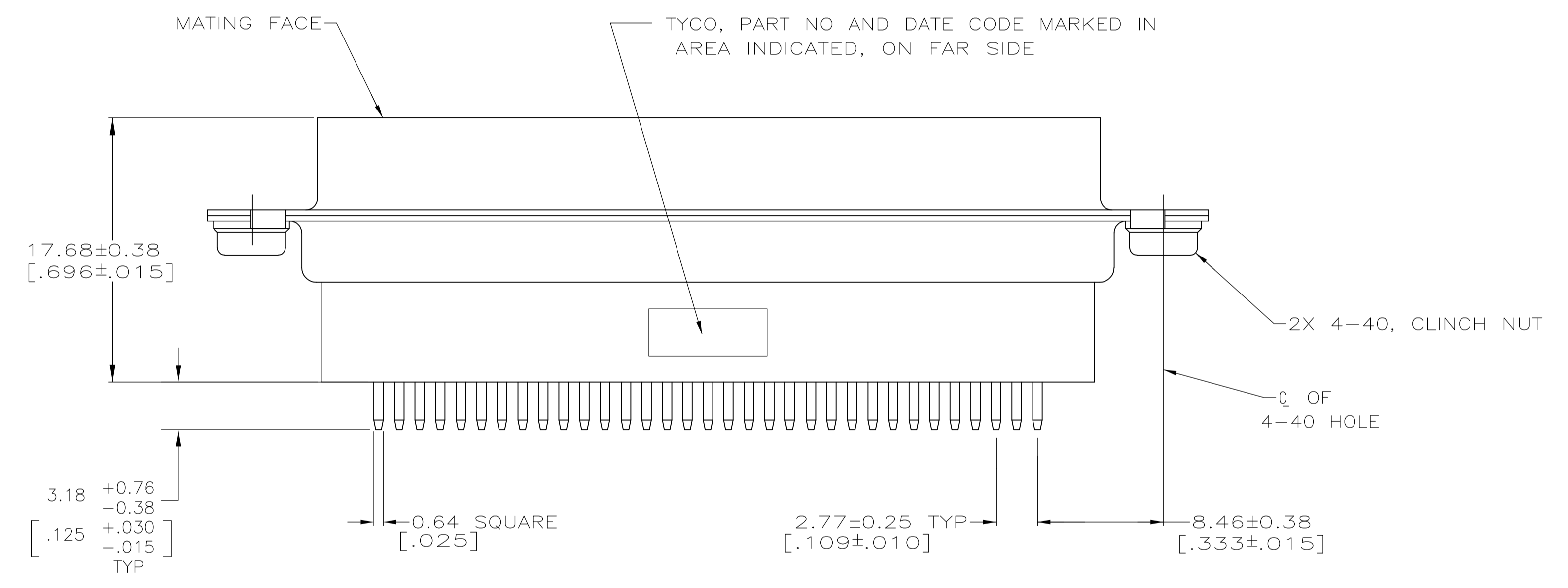


1 MOLDDED PARTS: GLASS-FILLED NYLON, UL 94V-0 RATED, COLOR BLACK.  
 CONTACTS: PHOSPHOR BRONZE.  
 SHELLS: CARBON STEEL.  
 CLINCH NUTS: CARBON STEEL.

2 SHELLS: 5.08µm [.000200] MIN TIN OVER 2.54µm [.000100] MIN COPPER.  
 CLINCH NUTS: 5.08µm [.000200] MIN ZINC WITH CLEAR CHROMATE COATING.  
 CONTACTS: 0.76µm [.000030] MIN GOLD FOR A LENGTH OF 2.54 [.100] MIN FROM MATING END, 2.54µm [.000100] MIN TIN ON OPPOSITE END, BOTH OVER 1.27µm [.000050] MIN NICKEL.  
 -OR-  
 GOLD FLASH OVER PALLADIUM-NICKEL 0.76µm [.000030] MIN TOTAL, PLATED FOR A LENGTH OF 2.54 [.100] MIN FROM MATING END, 2.54µm [.000100] MIN TIN ON OPPOSITE END, BOTH OVER 1.27µm [.000050] MIN NICKEL.



RECOMMENDED PC BOARD MOUNTING DIMENSIONS

5747302-1  
 PART NO

THIS DRAWING IS A CONTROLLED DOCUMENT.		DIN B. LATTUCA 16NOV05	Tyco Electronics Corporation Harrisburg, PA 17105-3608
DIMENSIONS: mm [INCHES]		CHK S. BOLASH 16NOV05	
TOLERANCES UNLESS OTHERWISE SPECIFIED:		APP'D M. WALMSLEY 16NOV05	NAME RECEPTACLE ASSEMBLY, SIZE 5, 50 POSN, VERTICAL, FRONT METAL SHELL, AMPLIMITE HD-20
0 PLC ± -		PRODUCT SPEC	
1 PLC ± -		APPLICATION SPEC	SIZE
2 PLC ± 0.13 [.005]		108-40025	CAGE CODE
3 PLC ± -		114-40013	DRAWING NO
4 PLC ± -		—	RESTRICTED TO
ANGLES ± -		—	SIZE
MATERIAL		WEIGHT	SCALE
FINISH		—	NTS
1		CUSTOMER DRAWING	SHEET
2		—	1 OF 1
		—	REV
		—	C