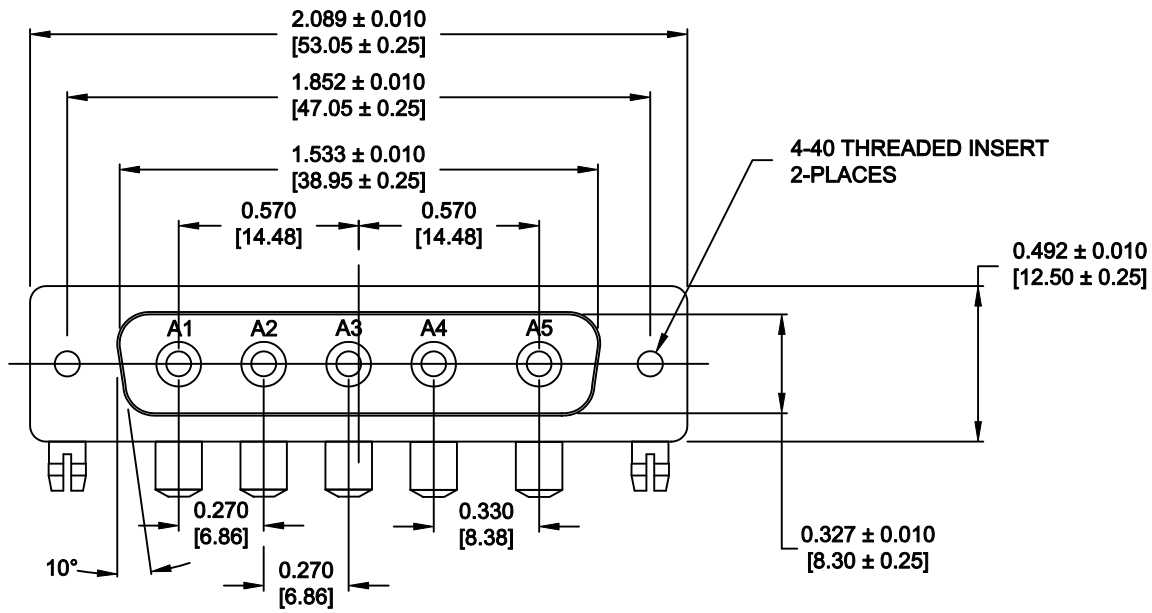


DESCRIPTION: POWER - RIGHT ANGLE - MALE - MACHINED - IP67



SPECIFICATIONS:

ELECTRICAL:
 INSULATOR RESISTANCE: 5 G OHMS Min.
 DIELECTRIC WITHSTANDING: 1,000VAC r.m.s.
 OPERATING TEMPERATURE: -55° C ~ +155° C
 CONTACT RESISTANCE: 1.0 Milliohms Max.
 POWER PINS: 40 AMPS

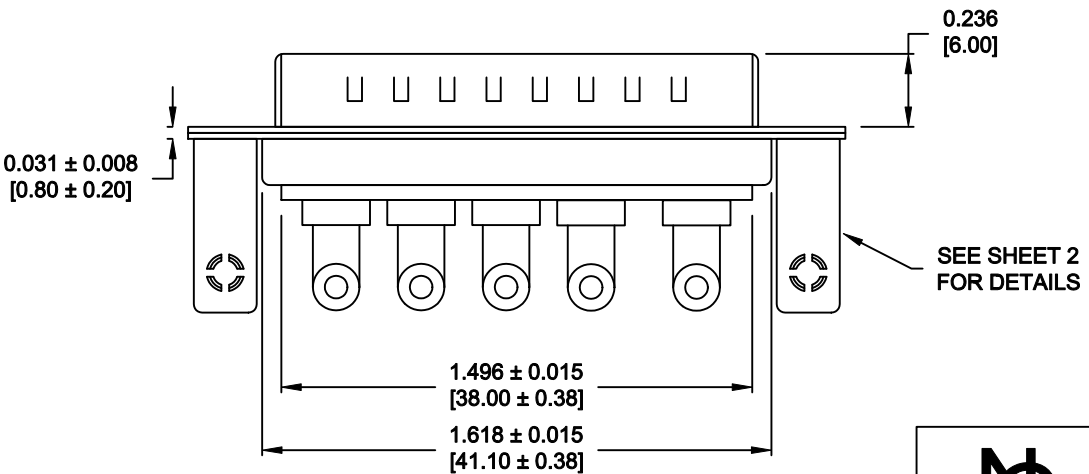
MECHANICAL:
 CONTACT INSERTION FORCE: 4.5 Kg Max.
 CONTACT SEPARATOR FORCE: 0.3Kg Min.

MATERIALS:
 CONTACTS: COPPER ALLOY
 INSULATOR: PBT UL94V-0 RATED, BLK 230°C PROCESS TEMP.
 SHELL: STEEL
 BOARD LOCK: BRASS, NICKEL PLATED
 CINCHNUT: BRASS, NICKEL PLATED
 BRACKET: STEEL, NICKEL PLATED

FINISH:
 SHELL: NICKEL
 CONTACTS: FULL GLOLD FLASH

684S5W5103L461

46 = 4-40 INSERTS / BOARD LOCKS



MEETS IP67 STANDARDS

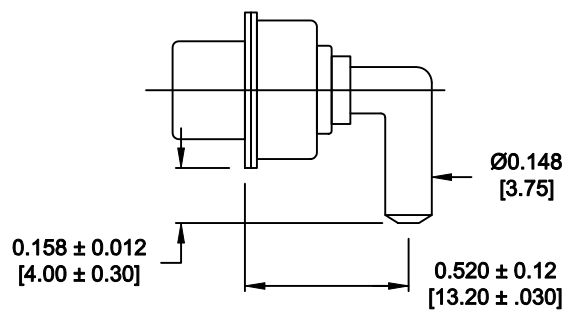
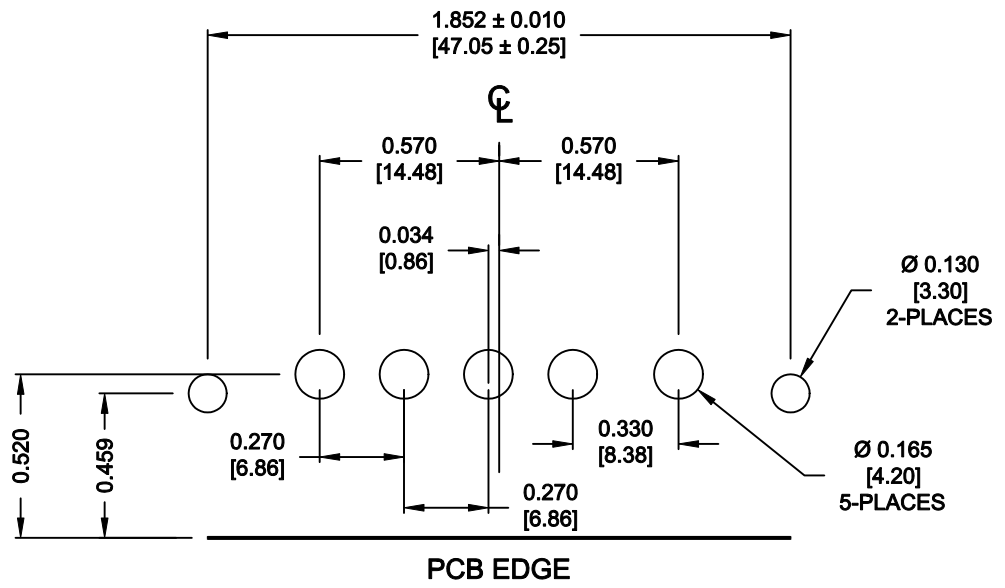
(SEE PAGE 2 FOR SEALING DETAILS)

RoHS COMPLIANT

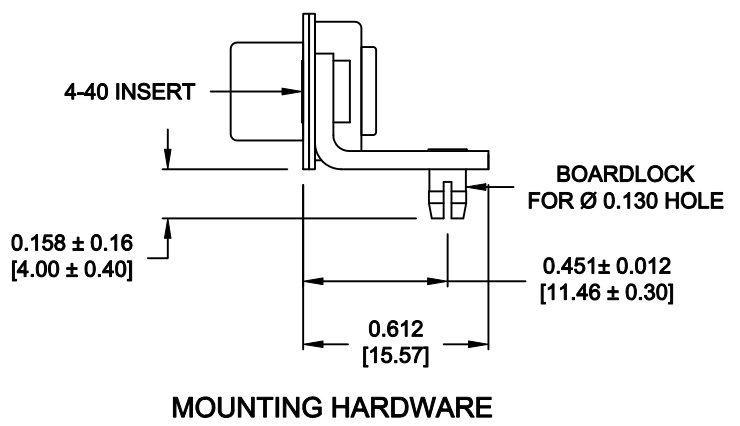
| | | | | |
|----------------|---|-------------------|-----------------------------|-------------------------|
| | THESE DRAWINGS AND SPECIFICATIONS ARE THE PROPERTY OF NorComp AND SHALL NOT BE REPRODUCED, COPIED OR USED AS THE BASIS FOR THE MANUFACTURE OR SALE OF APPARATUS WITHOUT WRITTEN PERMISSION. | | DRAWN: P. JENKINS | DATE: 8-22-11 |
| | | | CHECKED: | DATE: |
| NorComp | SCALE: 1.5 = 1 | SHEET 1 | OF 3 | REV 0 |
| | DWG NO. 684S5W5103L461 | | | |

DESCRIPTION: 684 SERIES CONTACTS

NOTE:
POWER CONTACTS COME
PRE-LOADED INTO INSULATORS



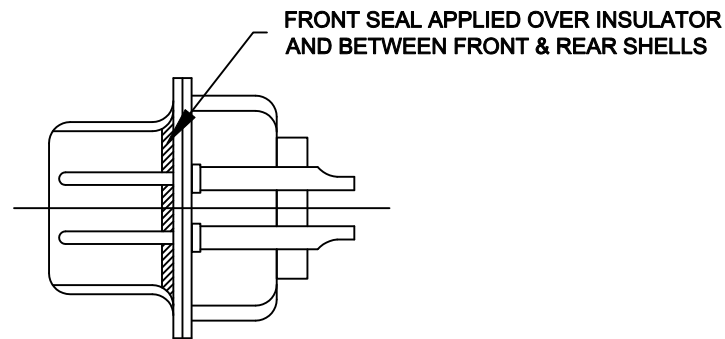
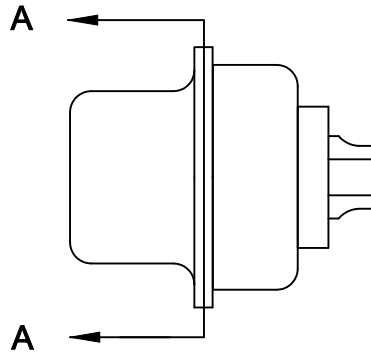
40 AMP POWER CONTACT




MOUNTING HARDWARE

RoHS COMPLIANT

| | | | | |
|----------------|---|-------------------------------|-------------------------------|-------------------------|
| | THESE DRAWINGS AND SPECIFICATIONS ARE THE PROPERTY OF NorComp AND SHALL NOT BE REPRODUCED, COPIED OR USED AS THE BASIS FOR THE MANUFACTURE OR SALE OF APPARATUS WITHOUT WRITTEN PERMISSION. | | DRAWN: P.JENKINS | DATE: 8-22-11 |
| | | | CHECKED: | DATE: |
| NorComp | | SCALE: 1.5 = 1 | SHEET 3 OF 3 | REV 0 |
| | | DWG NO. 684S5W5103L461 | | |



DETAIL A-A
SHOWN FOR REFERENCE ONLY

| | | | | |
|--|---|-------------------------------|----------------------------|----------------------|
|  | THESE DRAWINGS AND SPECIFICATIONS ARE THE PROPERTY OF NorComp AND SHALL NOT BE REPRODUCED, COPIED OR USED AS THE BASIS FOR THE MANUFACTURE OR SALE OF APPARATUS WITHOUT WRITTEN PERMISSION. | | DRAWN: P.JENKINS | DATE: 8-22-11 |
| | | | CHECKED: | DATE: |
| <h1>NorComp</h1> | | SCALE: 1.5 = 1 | SHEET 2 OF 3 | REV 0 |
| | | DWG NO. 684S5W5103L461 | | |