

NOTES:

NO.	DESCRIPTION	MATERIAL	ENG. NO.	REMARK
1	SINGLE SOCKET- B TYPE	POLYAMIDE(PA66)	49510-020*	LCL=35mm
2	POSITIVE TERMINAL	PHOSPHOR BRONZE	35438-8000	UNPLATED
3	EARTH TERMINAL	PHOSPHOR BRONZE	35439-8000	UNPLATED

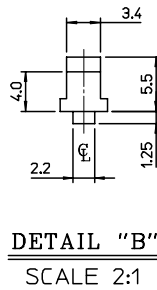
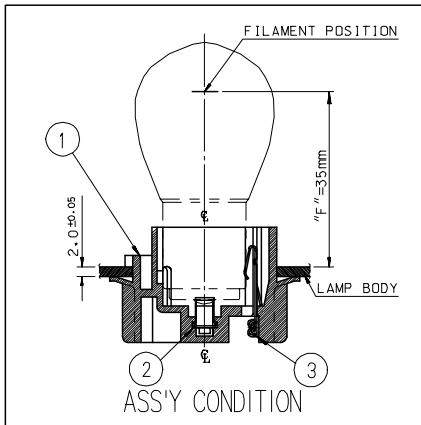
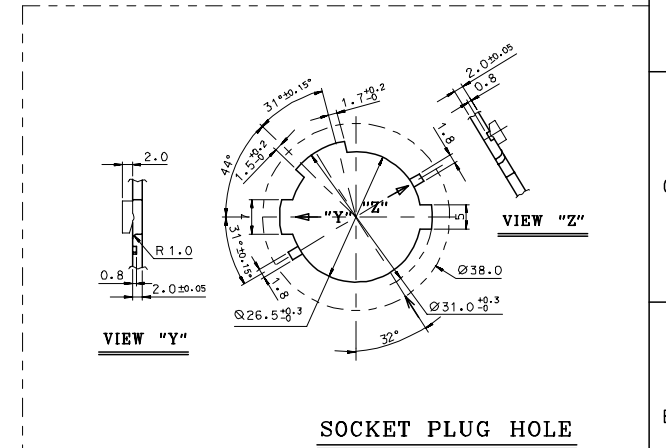
MXK SERIES NO.

49510 - \* \* \* \*

CIRCUIT NO.

- SOCKET COLOR
- 0: NATURAL
  - 1: BLACK
  - 2: RED
  - 3: YELLOW
  - 4: BLUE
  - 5: GRAY
  - 6: WHITE
  - 7: BROWN
  - : ON THE MARKET

- 0: 'A' TYPE
- 1: 'B' TYPE
- 2: 'C' TYPE
- 3: 'EC' TYPE
- 4: 'D' TYPE



CHANGED OF NOTES	EC NO: KOP2008-0095	2007/11/29
	DRW:EEKIM	2007/11/30
	CHKD:BCYOON	2007/11/30
	APPR:YUNSIKKIM	2007/11/30
REV	DESCRIPTION	
B		

QUALITY SYMBOLS	▽=0
	△=0

GENERAL TOLERANCES (UNLESS SPECIFIED)	mm	INCH
	4 PLACES ± ---	± ---
	3 PLACES ± ---	± ---
	2 PLACES ± 0.2	± ---
	1 PLACE ± 0.3	± ---
ANGULAR ± 1 °		
DRAFT WHERE APPLICABLE MUST REMAIN WITHIN DIMENSIONS		

DIMENSION STYLE		SCALE	DESIGN UNITS	THIRD ANGLE PROJECTION
MM ONLY		1:1	METRIC	
DRAWN BY	DATE	TITLE		
SMK IM	2004/05/12	NON-SEALED BULB SOCKET SINGLE HOUSING-B TYPE (LCL=35MM)		
CHECKED BY	DATE			
BCYOON	2004/05/12			
APPROVED BY	DATE			
CWLEE	2004/05/12			
MATERIAL NO.	DOCUMENT NO.			
49510020*	SD-49510-001			
SIZE	THIS DRAWING CONTAINS INFORMATION THAT IS PROPRIETARY TO MOLEX INCORPORATED AND SHOULD NOT BE USED WITHOUT WRITTEN PERMISSION		SHEET NO.	
A3			1 OF 1	

DRAWN BY		DATE	TITLE	THIRD ANGLE PROJECTION
SMK IM		2004/05/12	NON-SEALED BULB SOCKET SINGLE HOUSING-B TYPE (LCL=35MM)	
CHECKED BY		DATE		
BCYOON		2004/05/12		
APPROVED BY		DATE		
CWLEE		2004/05/12		
MATERIAL NO.	DOCUMENT NO.			
49510020*	SD-49510-001			
SIZE	THIS DRAWING CONTAINS INFORMATION THAT IS PROPRIETARY TO MOLEX INCORPORATED AND SHOULD NOT BE USED WITHOUT WRITTEN PERMISSION		SHEET NO.	
A3			1 OF 1	