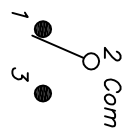


RECOMMENDED P.C.B. LAYOUT

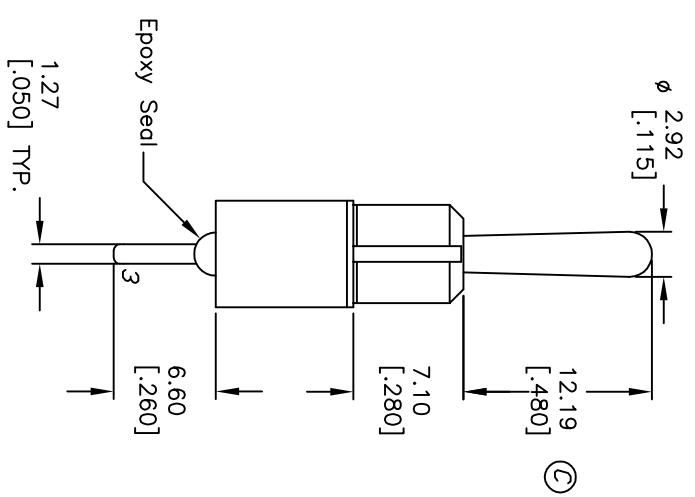
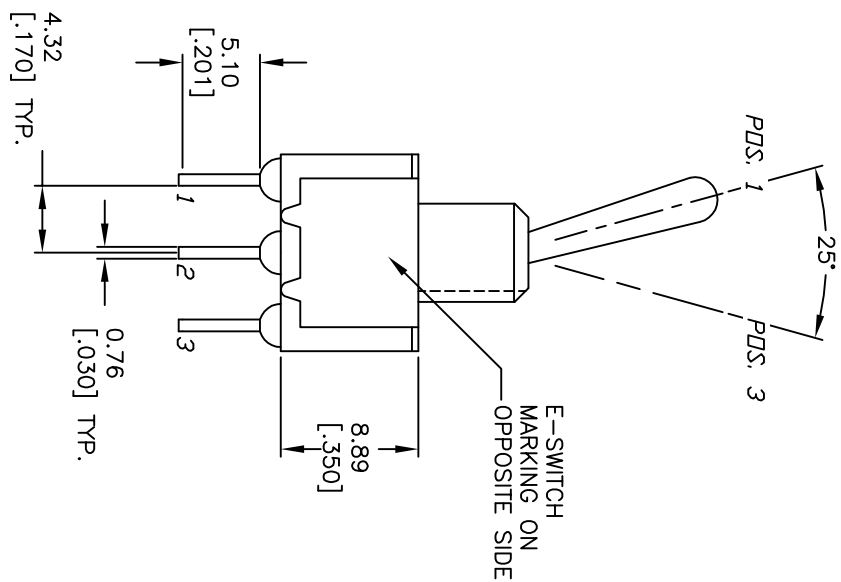
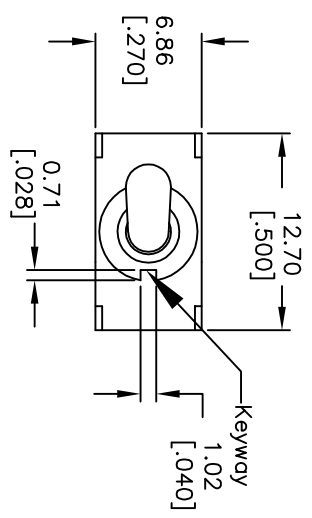


CIRCUIT: SPDT

SWITCH FUNCTION		
PDS. 1	PDS. 2	PDS. 3
DN	NONE	DN
2-3	OPEN	2-1

NOTES:

1. ALL DIMENSIONS IN MM [INCH]
2. GENERAL TOLERANCE: X.X=±0.4  
X.XX=±0.25
3. TERM. NOS. FOR REF. ONLY
4. RATING: 5A @120VAC OR 28VDC  
2A @250VAC
5. ELECTRICAL LIFE: 50,000 make-and-break cycles at full load.
6. INSULATION RESISTANCE: 1,000M ohm min.
7. DIELECTRIC STRENGTH: 1000V RMS @sea level
8. OPERATING TEMP.: -30°C to 85°C
9. ▲ DENOTES CRITICAL PARAMETER
10. 2002/95/EC (ROHS) COMPLIANT



E-SWITCH MARKING ON OPPOSITE SIDE

E	17781	CHANGED TERM, DIM TD 5.1	10/15/07	BF
D	17712	CHANGED TERM LENGTH TD 6.60	9/24/07	BF
REV.	ECN No.	DESCRIPTION	DATE	CHKD

TITLE		SCALE		DATE		DR		DWG		REV	
100SP1T1B4M2QE		2:1		9/24/07		BF		T111597		E	



THE INFORMATION CONTAINED IN THIS DOCUMENT IS PROPRIETARY TO E-SWITCH AND IS NOT TO BE COPIED OR TRANSFERRED