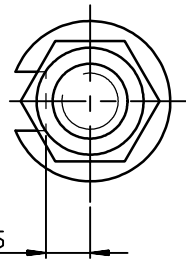
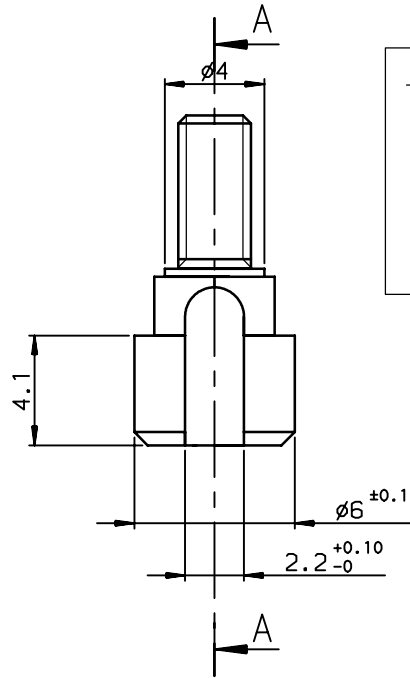
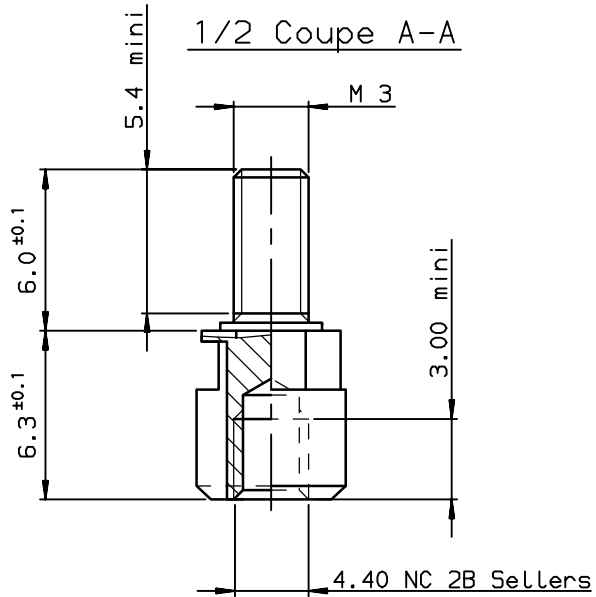


1/2 Coupe A-A

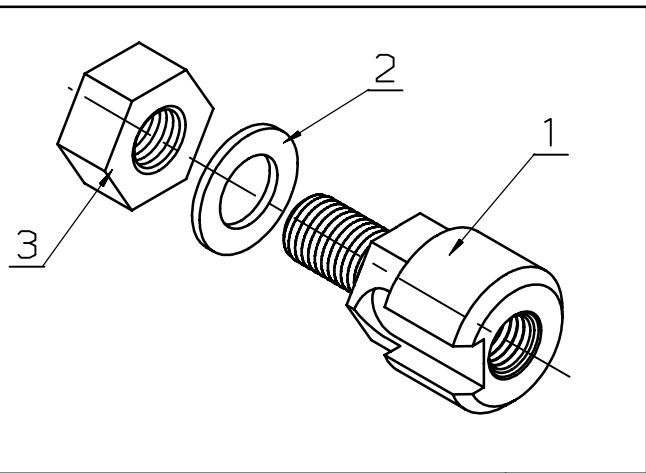


NOTE: RoHS INFORMATIONS

- The "LF" product meets European union Directives and other country regulations as described in GS-22-008.
- The product is not intended to be exposed to a manufacturing solder process.
- Plating: Zinc Cr3+, white color.
- Packaging spec: see GS-14-920.

	3	100	ECROU M3
86551301100LF	2	100	RONDELLE Ø3
	1	100	DETROMPEUR
LEAD-FREE PART-NUMBER	Rep	Qte	DESIGNATION

Copyright FCI. FCI



rev	ecn no	dr	date
A	LS05-0123	LGO	2005/12/27
B	LS06-0097	LGO	2006/07/28
-	-	-	-
-	-	-	-
-	-	-	-
-	-	-	-

www.fciconnect.com		surface ISO 1302 ✓	tolerance std ISO 406 ISO 1101	projection mm
TOLERANCES UNLESS OTHERWISE SPECIFIED				
Dr	GOISNARD	2005/12/27	0.X ±0.1	size A3
Eng	PESSON	2005/12/27	0.XX ±0.1	Scale 5
Chr	LEGARE	2005/12/27	0.XX' ±2'	ECN LS06-0097
Appr	LEGARE	2005/12/27	0.XXX ±0.1	Product family D-SUB Spec ref -
		<b>DETROMPEUR FEM DEMONTABLE</b> PAR 100 PIECES		Rev. B C01-8655-1630
catalog no		-		CUSTOMER sheet 1 of 1