

4

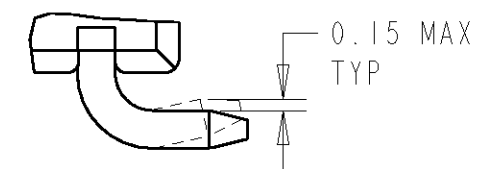
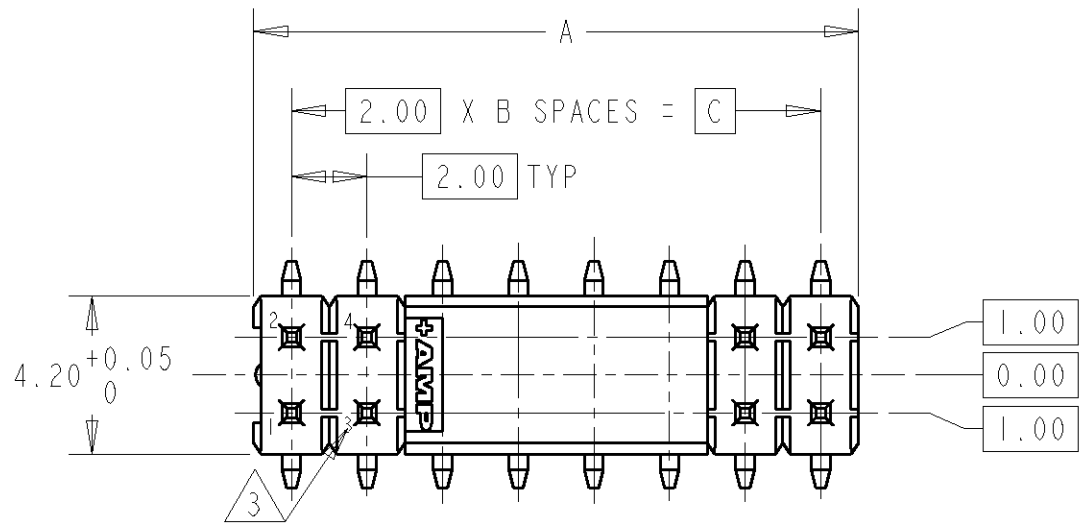
3

2

1

THIS DRAWING IS UNPUBLISHED. RELEASED FOR PUBLICATION .19  
 © COPYRIGHT 19 BY AMP INCORPORATED. ALL RIGHTS RESERVED.

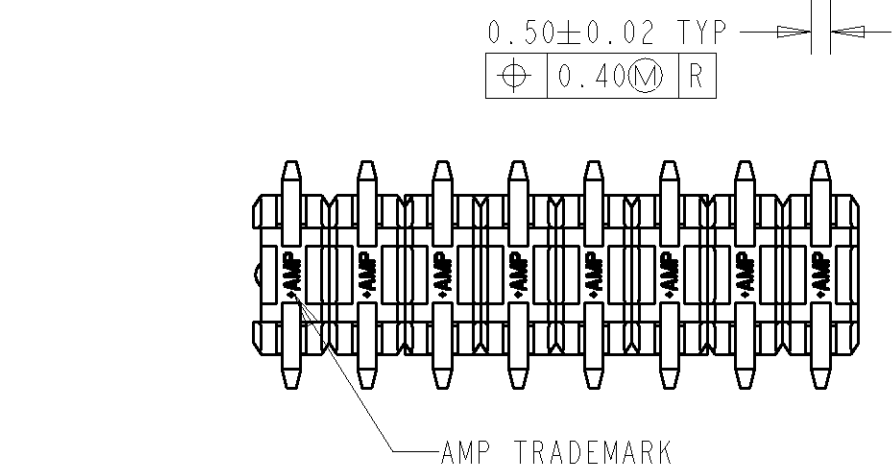
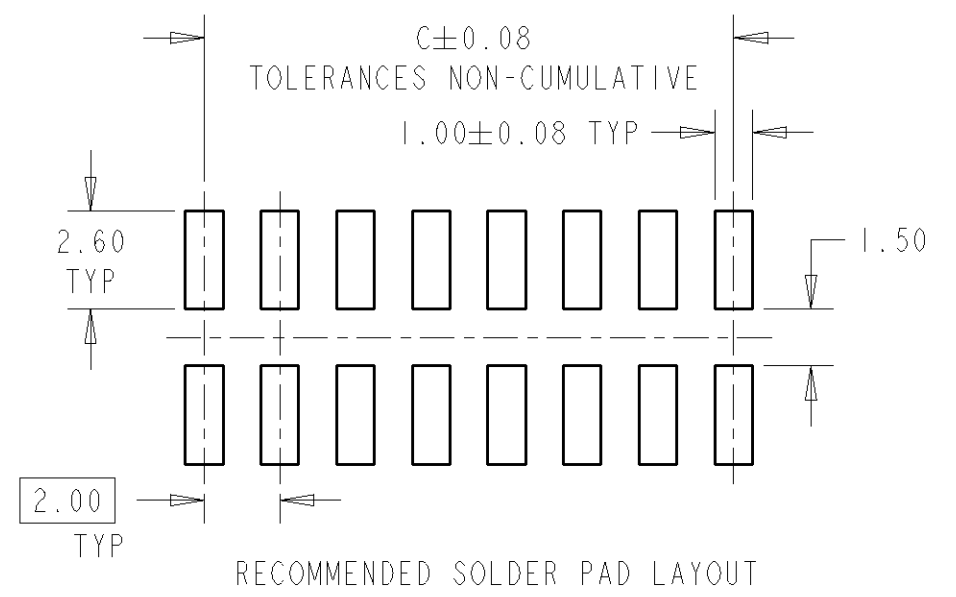
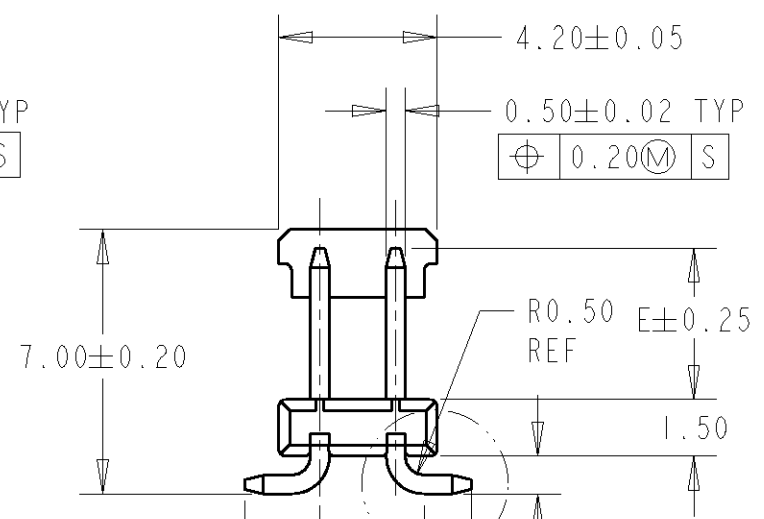
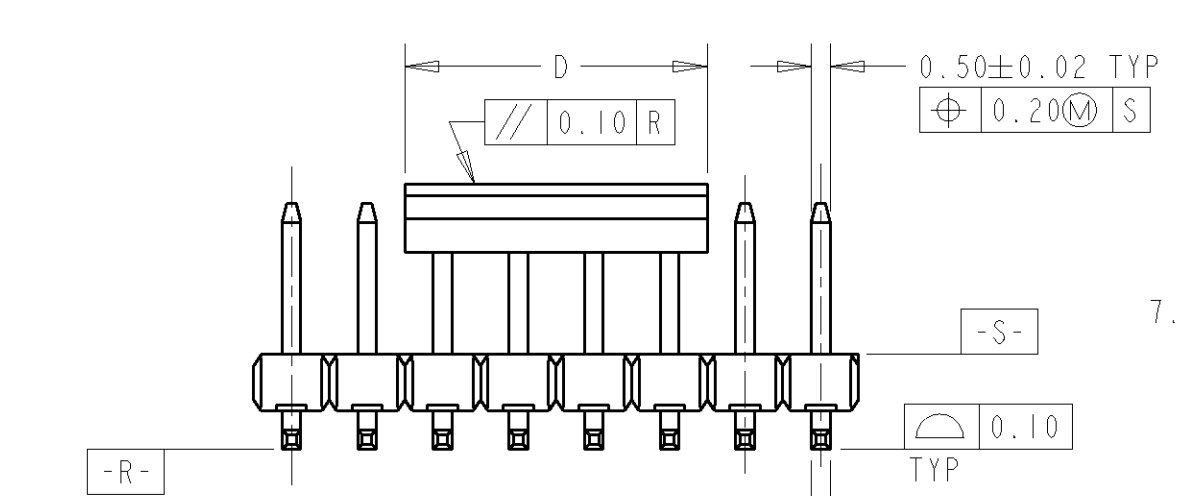
LOC	DIST	REVISIONS					
		P	LTR	DESCRIPTION	DATE	DWN	APVD
DY	-		04	REVISED ECR-08-009791	17APR2008	YKW	LSF



DETAIL G  
SCALE 10:1

NOTE:

- 1 MATERIAL:  
HOUSING: HIGH TEMPERATURE THERMOPLASTIC, UL94 V-0  
POST: PHOSPHOR BRONZE
- 2 FINISH:  
CONTACT AREA: 0.08um MIN Au OVER 0.76um MIN  
PALLADIUM-NICKEL OVER 1.27um MIN NICKEL ALL OVER  
POST TINE: 2.54um MIN MATTE TIN OVER 1.27um MIN NICKEL
- 3 POST POSITION NUMBERS FOR REFERENCE ONLY



SEE DETAIL G  
MATTE TIN PLATING AREA

WITH PICK-UP CAP	TAPE & REEL	4	8	18	9	20	20	5084476-9
WITHOUT PICK-UP CAP	TAPE & REEL		-	10	5	12	12	5084476-8
WITH PICK-UP CAP	TAPE & REEL		8					5084476-7
	TAPE & REEL		8	14	7	16	16	5084476-3
	TAPE & REEL		6	4	2	6	6	5084476-2
TAPE & REEL	4		2	1	4	4	5084476-1	
REMARKS	PACKAGING	E	D	C	B	A	POS.	PART NO.

THIS DRAWING IS A CONTROLLED DOCUMENT FOR AMP INCORPORATED. IT IS SUBJECT TO CHANGE AND THE CONTROLLING ENGINEERING ORGANIZATION SHOULD BE CONTACTED FOR THE LATEST REVISION.		DWN WY LEE 28MAR2005	Tyco Electronics Corporation Singapore	
DIMENSIONS: mm	TOLERANCES UNLESS OTHERWISE SPECIFIED:	CHK VINCENT TAN	NAME	
	0 PLC ± 1 PLC ±0.20 2 PLC ±0.25 3 PLC ±0.30 4 PLC ±0.20 ANGLES ±3°	APVD SF L FONG	PRODUCT SPEC 108-	
MATERIAL	FINISH	APPLICATION SPEC 114-	SIZE A3	CAGE CODE 00779
1	2	WEIGHT -	DRAWING NO C-5084476	SCALE 5:1 SHEET 1 OF 1 REV 04
CUSTOMER DRAWING				