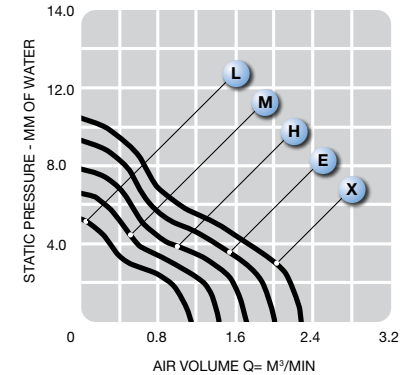
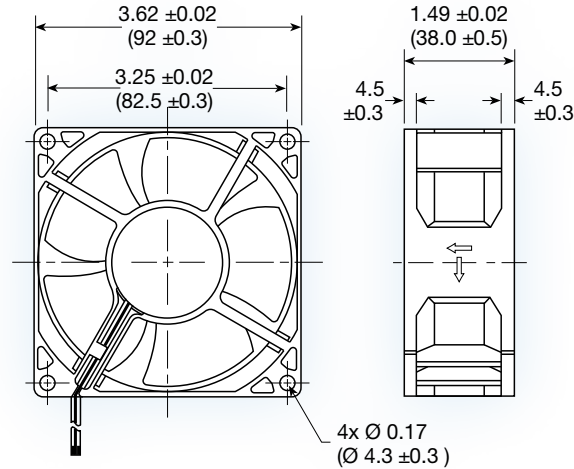


MC9238 series

HIGH PERFORMANCE



(92 x 92 x 38 mm)
3.62 x 3.62 x 1.5 inches

Features:	high performance
Construction:	UL94V-0 PBT impeller and frame
Bearing option:	ball bearing or sleeve
Connection:	AWG 24, UL1007 lead wires
Frame:	flanged
Protection:	thermal
Options:	tachometer output or locked rotor alarm signal

Model No.	Rated Voltage V	Operating Voltage V	Current mA	Speed RPM	Air Volume		Max. Static Pressure (H ₂ O)		Sound Noise dBa	Weight g
					M ³ /Min.	CFM	MM	INCH		
MC9238L	12	6 - 13.8	120	2,000	1.14	40.2	5.26	0.21	23.5	182
MC9238M	12	6 - 13.8	200	2,500	1.42	50.3	6.58	0.26	29.5	182
MC9238H	12	6 - 13.8	350	3,000	1.71	60.3	7.89	0.32	35.5	182
MC9238E	12	6 - 13.8	500	3,500	2.00	70.4	9.21	0.37	41.5	182
MC9238X	12	6 - 13.8	720	4,000	2.28	80.5	10.52	0.42	47.5	182

