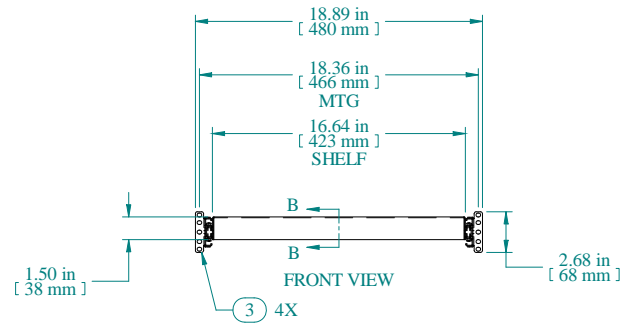
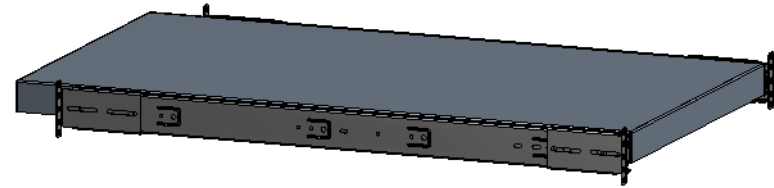
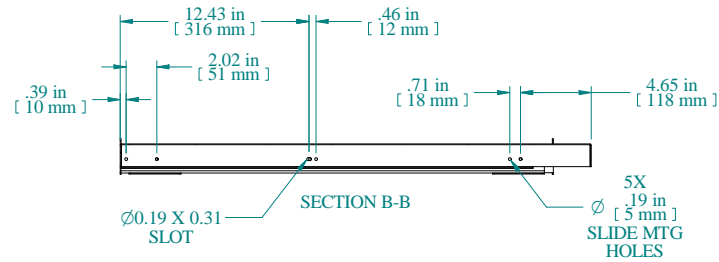


TOP VIEW



FRONT VIEW



SECTION B-B

| Item Number | Title | Quantity |
|-------------|-------------------------|----------|
| 1 | RS - SOLID SHELF | 1 |
| 2 | SLIDE - 28" FULL TRAVEL | 2 |
| 3 | SLIDE MTG BRACKET | 4 |

PART NUMBERS

| | |
|-------------|-----------------------------|
| RSUS1931BK1 | PAINTED BLACK TEXTURED |
| RSUS1931CG1 | PAINTED GREY/BEIGE TEXTURED |

NOTES

Maximum Weight 120 lb
Some Assembly Required
Slide Assembly Hardware Omitted for Clarity

Data subject to change without notice. Isometric drawing not to scale.



**HAMMOND
MANUFACTURING™**
www.hammondmfg.com
PART NO. RSUS1931