

PART NAME GRABBER (STYLE D)

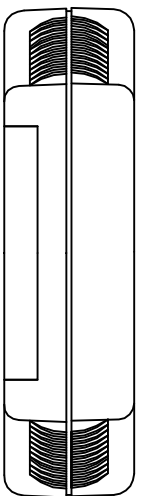
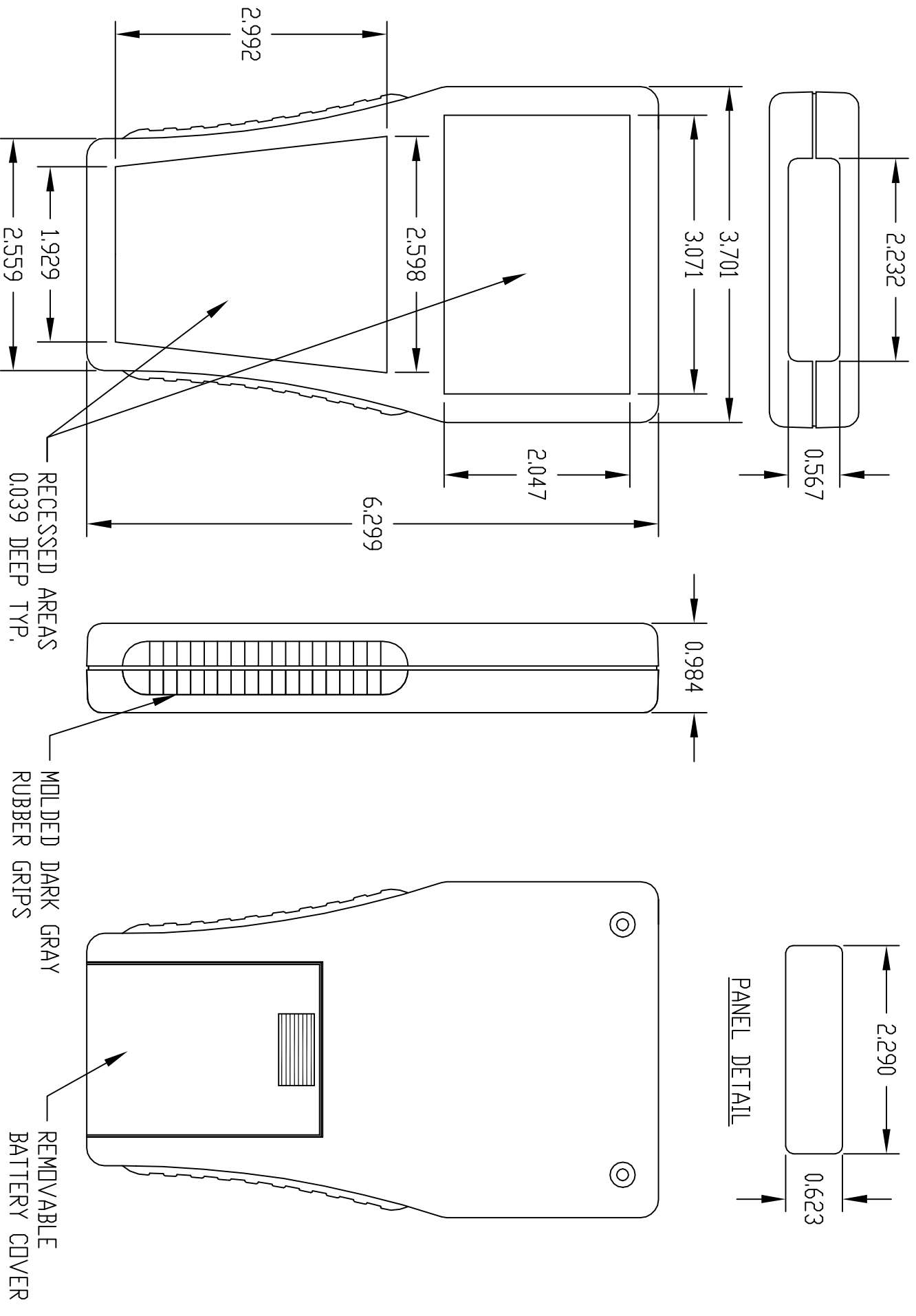
PART No.

HH-3510-BCB HH-3510-BCG

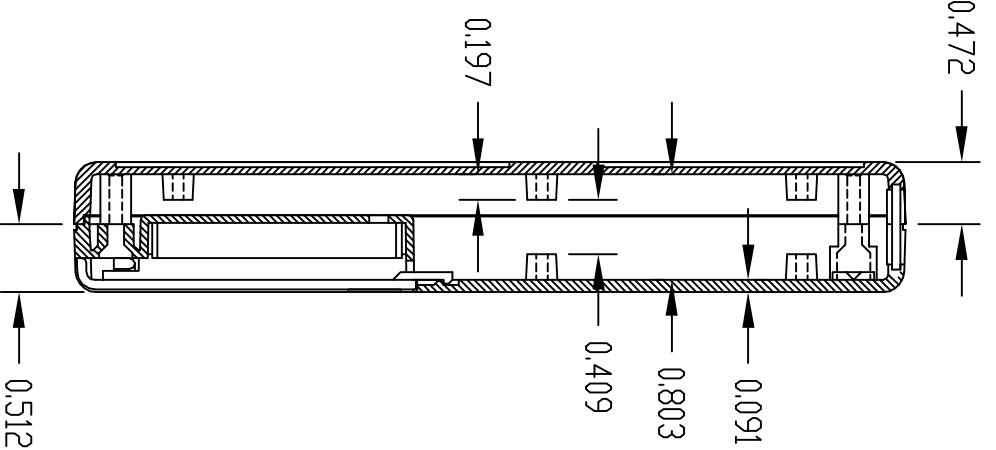
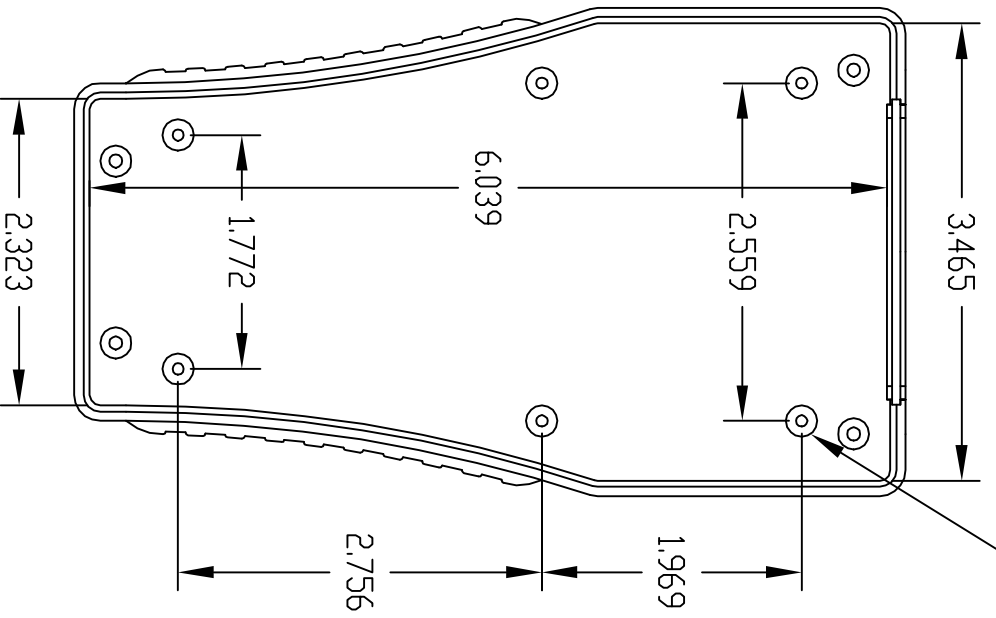
REV. DATE

MATERIAL: ABS (UL94-V0)
COLOR: BLACK (-BCB SUFFIX PART NO.)
GRAY (-BCG SUFFIX PART NO.)

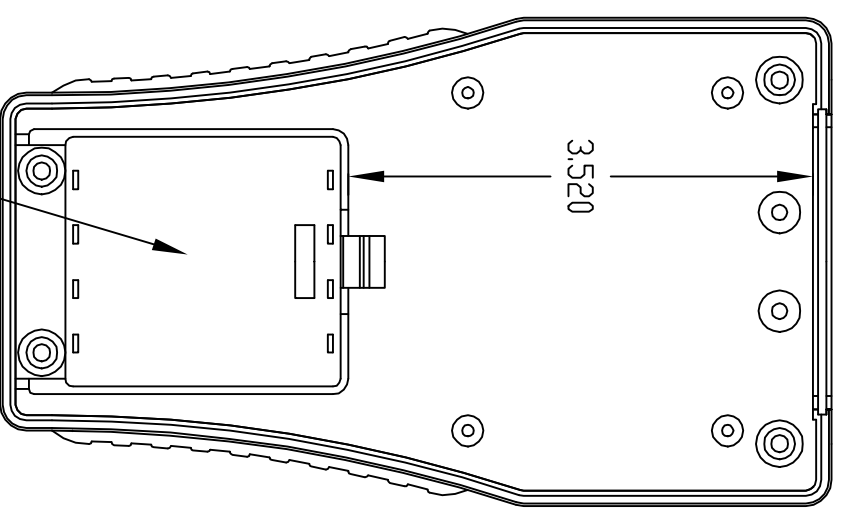
ALL DIMENSIONS HAVE ±0.015 TOLERANCE
FOUR (4) M3 x 0.433" LG. CSK. HD. ZINC PLATED
SELF-TAPPING SCREWS SUPPLIED FOR ASSEMBLY



(6) PLACES IN TOP
(4) PLACES IN BOTTOM



NOTE: MOUNTING BOSSES USE EITHER M2.5 METRIC OR #4 STD. SELF-TAPPING SCREWS x 0.187" LG. (NOT SUPPLIED)



AAA BATTERY COMPARTMENT (HOLDS FOUR) (CONTACTS INCLUDED)