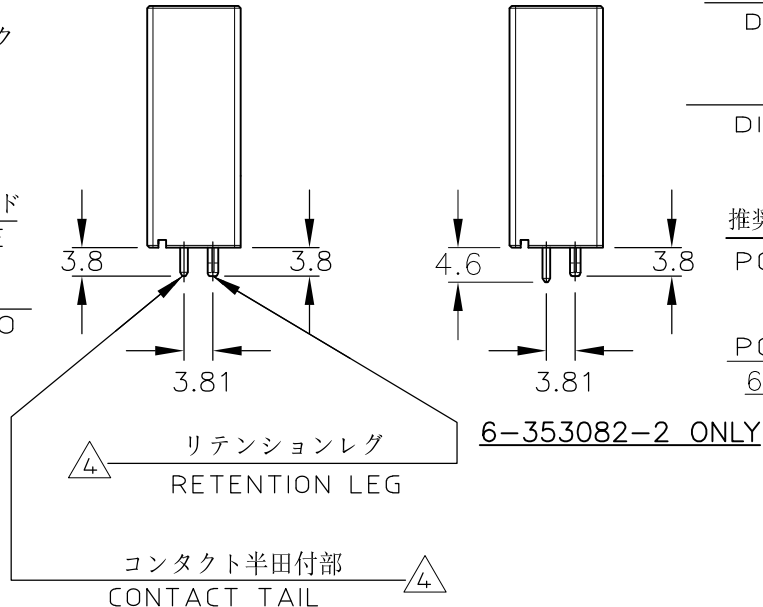
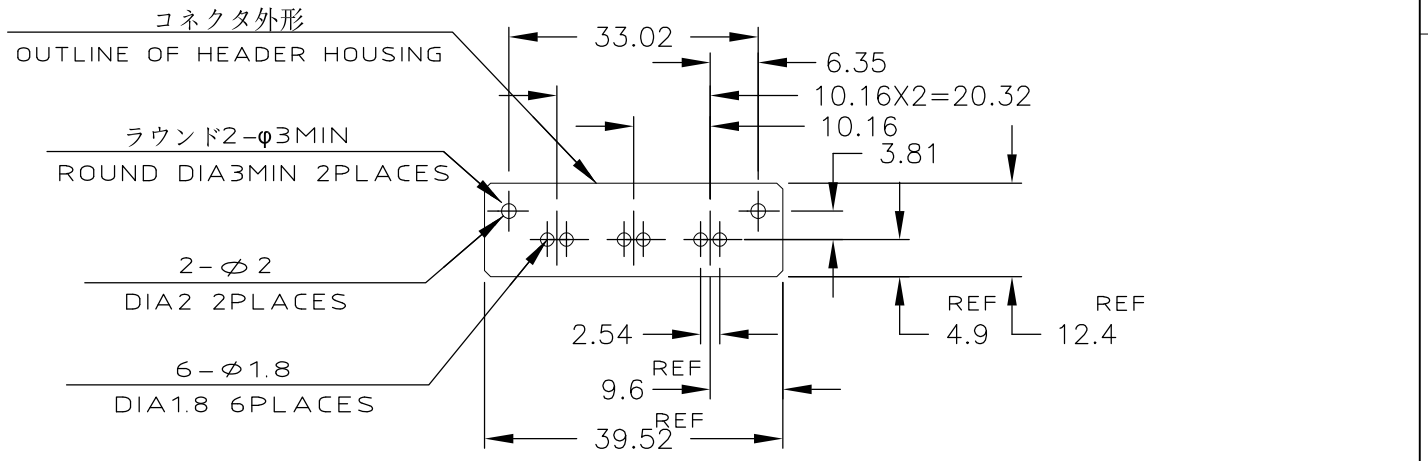
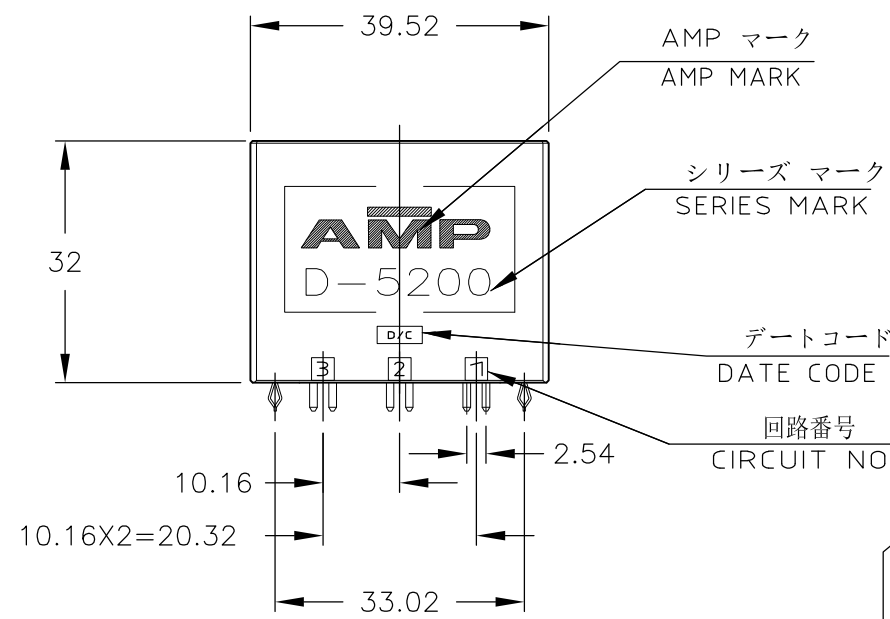
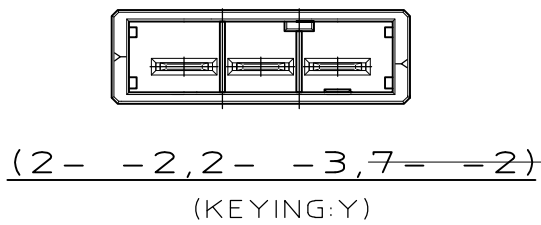
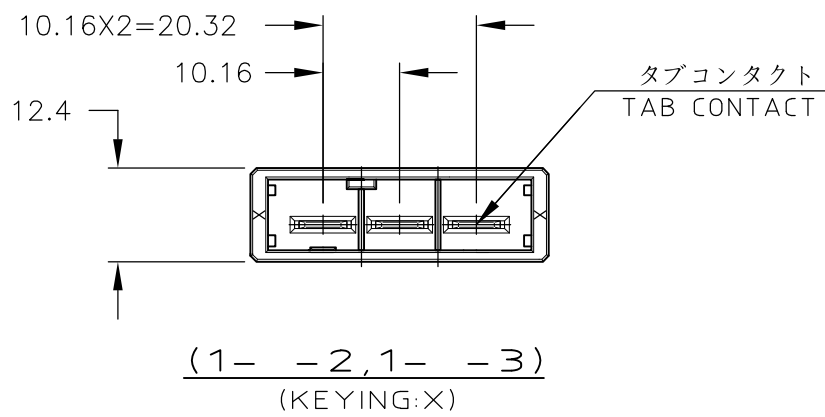


THIS DRAWING IS UNPUBLISHED. RELEASED FOR PUBLICATION
 © COPYRIGHT 1996 By Tyco Electronics Japan G.K. ALL RIGHTS RESERVED.

LOC	DIST	REVISIONS					
		P	LTR	DESCRIPTION	DATE	DWN	APVD
—	—		G	REVISED	23OCT2012	H.M	N.Y



推奨基板取付け穴寸法(公差:±0.05)
 PC 基板厚:1.6~2.4±0.1 (コネクタ搭載面)
 PC 基板厚:3.2±0.1 (6-353082-2 ONLY)

RECOMENDED PC BOARD HOLE PATTERN(TOL:±0.05)
 PC BOARD THICKNESS:1.6~2.4±0.1 (CONNECTOR MOUNT SIDE)
 PC BOARD THICKNESS:3.2±0.1 (6-353082-2 ONLY)

- 注記
- 材料 ハウジング:ガラス入り熱可塑性ポリエステル樹脂(94V-0)
 タブコンタクト:銅合金
 リテンションレグ:黄銅
 - めっき コンタクト全面Ni下地
 接触部 0.38μm MIN金めっき
 - めっき コンタクト全面Ni下地
 接触部 0.76μm MIN金めっき
 - めっき リテンションレグとコンタクト半田付部
 : ニッケル下地の上にスズめっき

- NOTES
- MATERIAL:HOUSING:GLASS FILED THERMO PLASTIC ,POLYESTER(94V-0)
 TAB CONTACT:COPPER ALLOY
 RETENTION LEG:BRASS
 - FINISH(CONTACT AREA):0.38μmMIN GOLD PLATING OVER Ni PLATING
 - FINISH(CONTACT AREA):0.76μmMIN GOLD PLATING OVER Ni PLATING
 - FINISH(RETENTION LEG): TIN PLATED (CONTACT TAIL) OVER NICKEL

KEY TYPE	コンタクトのめっき (FINISH)	色 COLOR	製品番号 (PART NO.)	
Y	△4 △2	NATURAL	-7-353082-2	OBSOLETE
	△4 △3	BLACK	2-353082-3	
	△4 △2	BLACK	2-353082-2	
X	△4 △3	BLACK	1-353082-3	
	△4 △2	BLACK	6-353082-2	
	△4 △2	BLACK	1-353082-2	

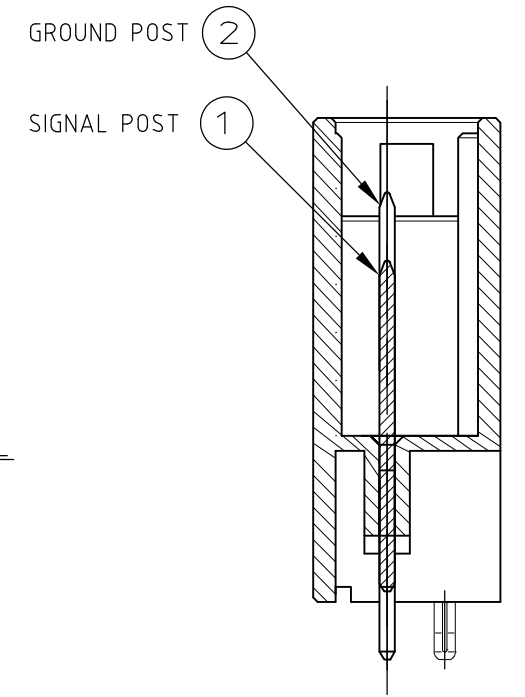
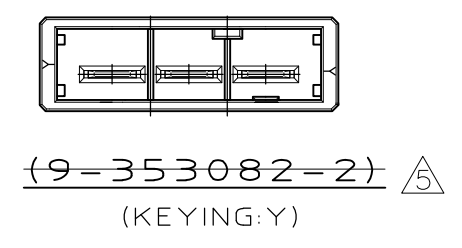
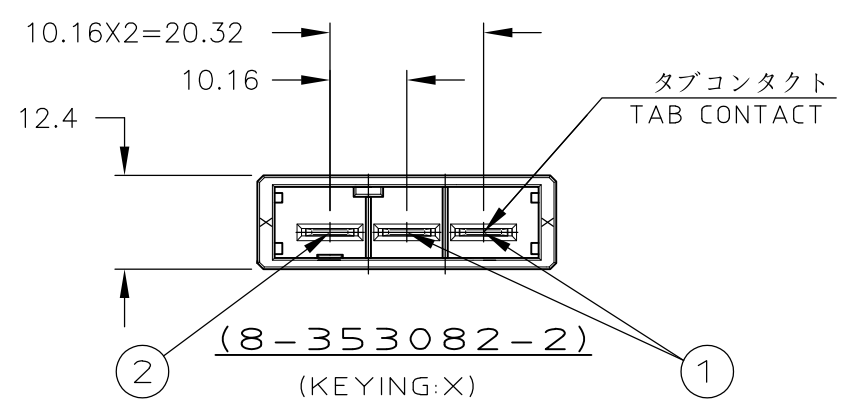
THIS DRAWING IS A CONTROLLED DOCUMENT.

DIMENSIONS: mm	TOLERANCES UNLESS OTHERWISE SPECIFIED:	DWN K.IKEDA 04JUL1996	TE Connectivity
	0-PLC ± 10 ±0.3 1-PLC ± 30 >10 ±0.35 2-PLC ± 100 >30 ±0.4 3-PLC ± 4-PLC ± ANGLES ±3°	CHK Y.ISHIKAWA 04JUL1996	
MATERIAL SEE NOTE	FINISH SEE NOTE	APVD F3 04JUL1996	NAME
		PRODUCT SPEC 108-5453	SINGLE ROW HEADER ASSY 3P V-TYPE DYNAMIC D-5200S
		APPLICATION SPEC 114-5206	RESTRICTED TO
		WEIGHT	SIZE A3 CAGE CODE 00779 DRAWING NO. C-353082
		CUSTOMER DRAWING	SCALE 1:1 SHEET 1 OF 2 REV G

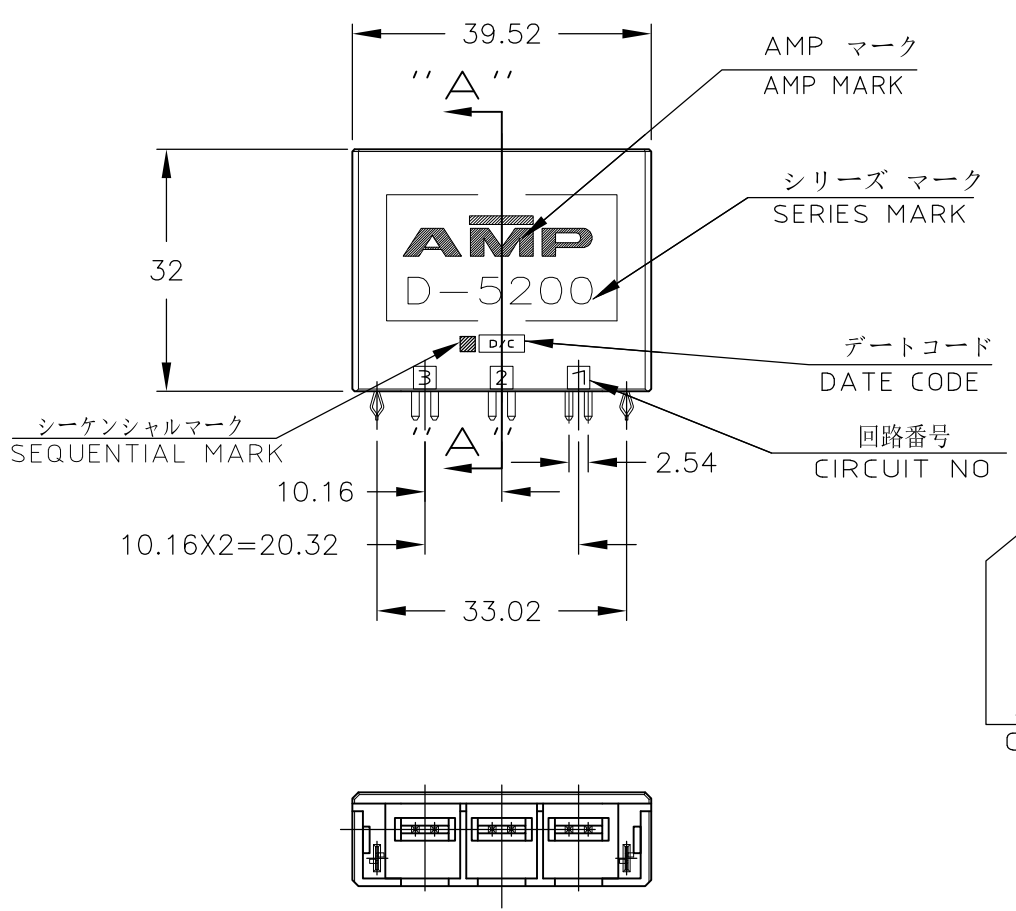
THIS DRAWING IS UNPUBLISHED. RELEASED FOR PUBLICATION
 © COPYRIGHT 1996 By Tyco Electronics Japan G.K. ALL RIGHTS RESERVED.

LOC	DIST	REVISIONS					
		P	LTR	DESCRIPTION	DATE	DWN	APVD
-	-	-	-	SEE SHEET 1	-	-	-

8,9-353082-2; AS SHOWN
 SEQUENTIAL TYPE

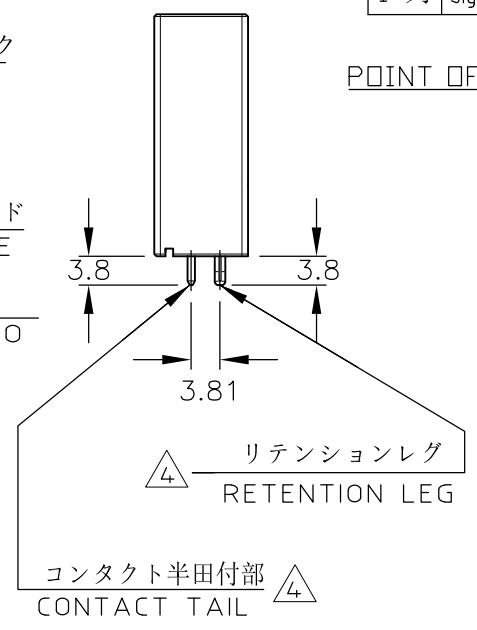


SECT "A" - "A"
 (SCALE: 2-1)



		回路番号		
		1	2	3
1 列	①	① Signal	① Signal	② Ground

POINT OF SEQUENTIAL



NOTES

- MATERIAL: HOUSING: GLASS FILLED THERMO PLASTIC, POLYESTER(94V-0)
 TAB CONTACT: COPPER ALLOY
 RETENTION LEG: BRASS
- FINISH (CONTACT AREA): 0.38μm MIN GOLD PLATING OVER Ni PLATING
- FINISH (CONTACT AREA): 0.76μm MIN GOLD PLATING OVER Ni PLATING
- FINISH (RETENTION LEG): TIN PLATED (CONTACT TAIL) OVER NICKEL

注記

- 材料 ハウジングガラス入り熱可塑性
 ポリエステル樹脂(94V-0)
 タブ コンタクト: 銅合金
 リテンション レグ: 黄銅
- めっき コンタクト全面Ni下地
 接触部 0.38μm MIN 金めっき
- めっき コンタクト全面Ni下地
 接触部 0.76μm MIN 金めっき
- めっき リテンションレグとコンタクト半田付部
 : ニッケル下地の上にスズめっき
- OBSOLETE PARTS: OBSOLETE CIS STREAMLINING PER D.RENAUD/D.SINISI

Y				
X				
KEY TYPE	コンタクトのめっき (FINISH)	色 COLOR	製品番号 (PART NO.)	

OBSOLETE (5)

THIS DRAWING IS A CONTROLLED DOCUMENT.		DWN K.IKEDA 04JUL1996	TE Connectivity	
		CHK Y.ISHIKAWA 04JUL1996		
		APVD F3 04JUL1996	NAME	
DIMENSIONS: mm		PRODUCT SPEC 108-5453	SINGLE ROW HEADER ASSY 3P V-TYPE DYNAMIC D-5200S	
TOLERANCES UNLESS OTHERWISE SPECIFIED: 0 PLC ± 10 ± 0.3 1 PLC ± 30 > 10 ± 0.35 2 PLC ± 100 > 30 ± 0.4 3 PLC ± 4 PLC ANGLES ± 3°		APPLICATION SPEC 114-5206	SIZE	CAGE CODE
MATERIAL SEE NOTE		FINISH SEE NOTE	DRAWING NO A300779 C-353082	
		WEIGHT	RESTRICTED TO	
		CUSTOMER DRAWING		SCALE 1:1
		SHEET 2 OF 2		REV G