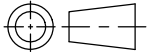
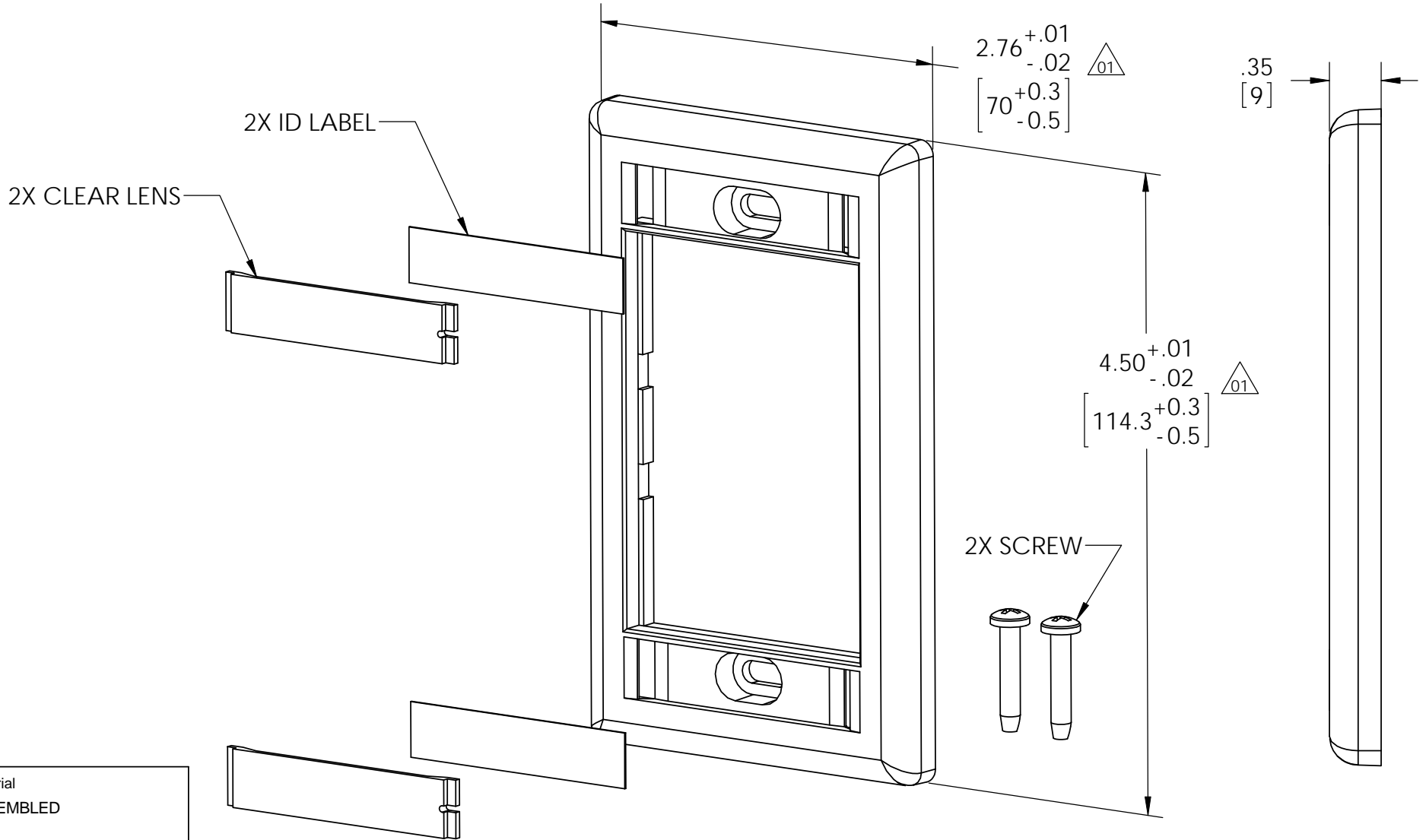


SW2009



Revision level		Revision Record	Changed	Date	Approved	Date
Drawing	Part					
01	-	SEE ECN# 011737	AAC	02/11/2011	AAC	02/11/2011



Material
ASSEMBLED

Units inches
Dimension without tolerances details to:
.XXXX = ± .0005
.XXX = ± .005
.XX = ± .01
.X = ± .03
None = ± .06
∠ = ±0.5°

The copyright of this drawing is reserved by HellermannTyton. It is issued on condition that it is not reproduced, copied, or disclosed to a third party, either wholly or in part, without the consent of HellermannTyton.

Drawn	AAC	11/18/2010
Approved	AAC	02/11/2011

HellermannTyton
North America
Email: corp@htamericas.com
Web: www.hellermann.tyton.com

Article/Type-No	FPM
Title	FPM MODULAR FACEPLATE ASSEMBLY
Drawing-No	MI10-0943-015CST
Production : Phase	

Scale	1:1
Project Number	PRP10-0943
Format	AH
Sheet	1/1