

40 mm sq.

San Ace 40L



General Specifications

- Material Frame: Aluminum, Impeller: Plastics (Flammability: UL94V-0)
- Expected Life Refer to specifications (L10:Survival rate: 90% at 60°C ,
rated voltage, and continuously run in a free air state)
- Lead Wire ⊕red ⊖black (Sensor) yellow
- Storage Temperature -30°C to +70°C (Non-condensing)

40×40×28mm (Mass : 55g) **9L type**

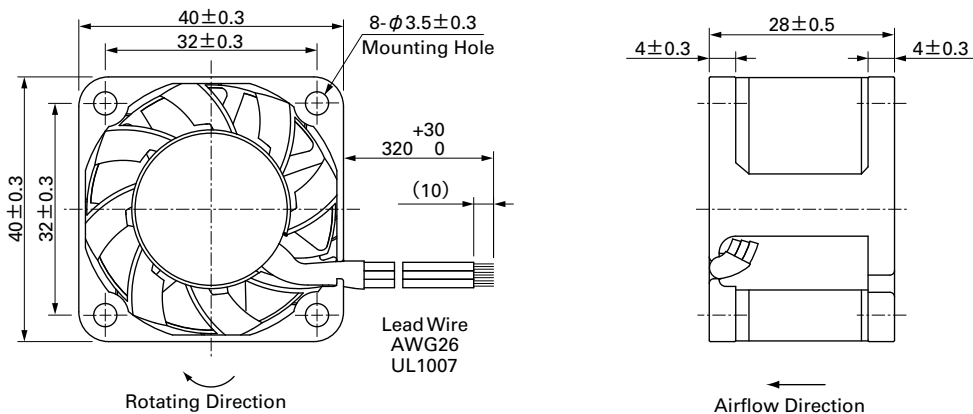
Specifications

The following nos. **have pulse sensors.**

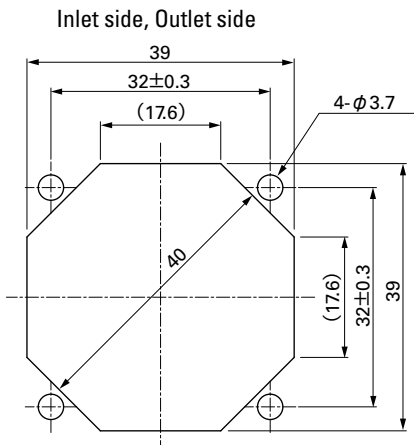
| Model No. | Rated Voltage [V] | Operating Voltage Range [V] | Rated Current [A] | Rated Input [W] | Rated Speed [min ⁻¹] | Max. Airflow [m ³ /min] [CFM] | Max. Static Pressure [Pa] [inchH ₂ O] | SPL [dB(A)] | Operating Temperature [°C] | Expected Life [h] |
|-------------------|-------------------|-----------------------------|-------------------|-----------------|----------------------------------|--|--|-------------|----------------------------|-------------------|
| 9L0412J301 | 12 | 10.2 to 13.8 | 0.31 | 3.72 | 11,700 | 0.52 18.4 | 206 0.827 | 48 | -20 to +70 | 100,000/60°C |
| 9L0412H301 | | | 0.15 | 1.80 | 8,400 | 0.37 13.1 | 106 0.426 | 40 | | |
| 9L0412M301 | | | 0.045 | 0.54 | 4,000 | 0.16 5.65 | 24 0.096 | 19 | | |

Other sensor specifications are available as options. Please refer to the index (p. 509).

Dimensions (unit: mm)



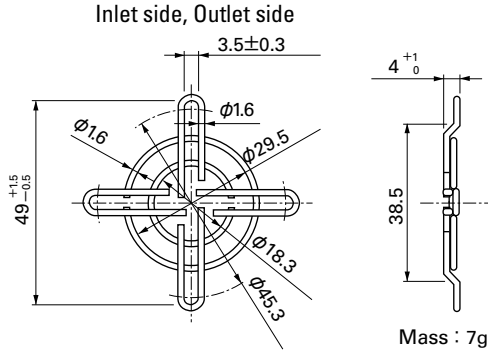
Reference Dimensions of Mounting Holes and Vent Opening (unit: mm)



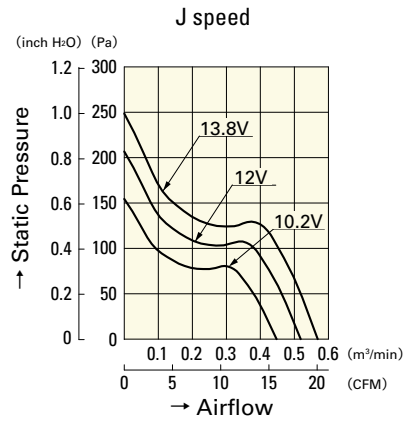
Options (unit: mm)

Finger Guards

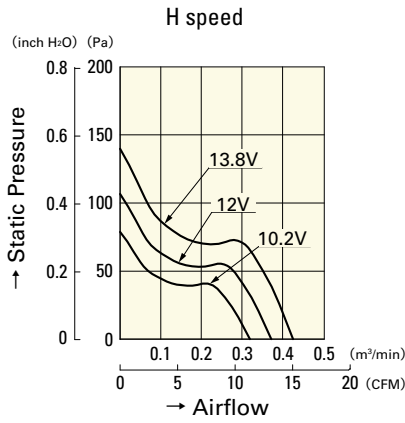
Color
 Model : 109-059 Surface treatment : Nickel-chrome plating (silver)
 : 109-059H : Cation electropainting (black)



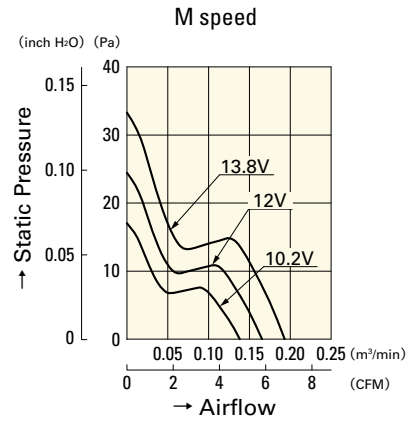
Airflow - Static Pressure Characteristics



9L0412J301



9L0412H301



9L0412M301

DC
 Long Life Fan 40mm