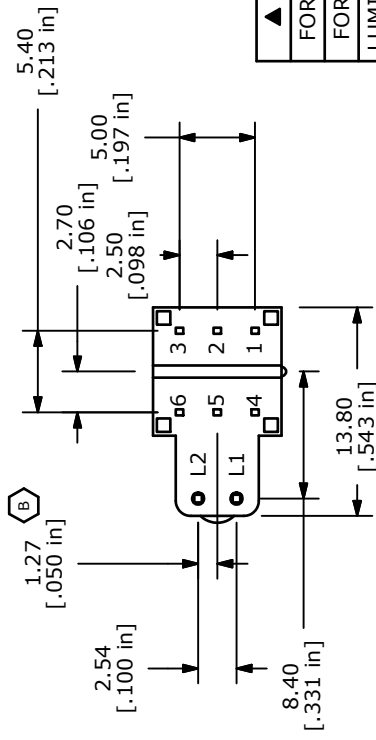
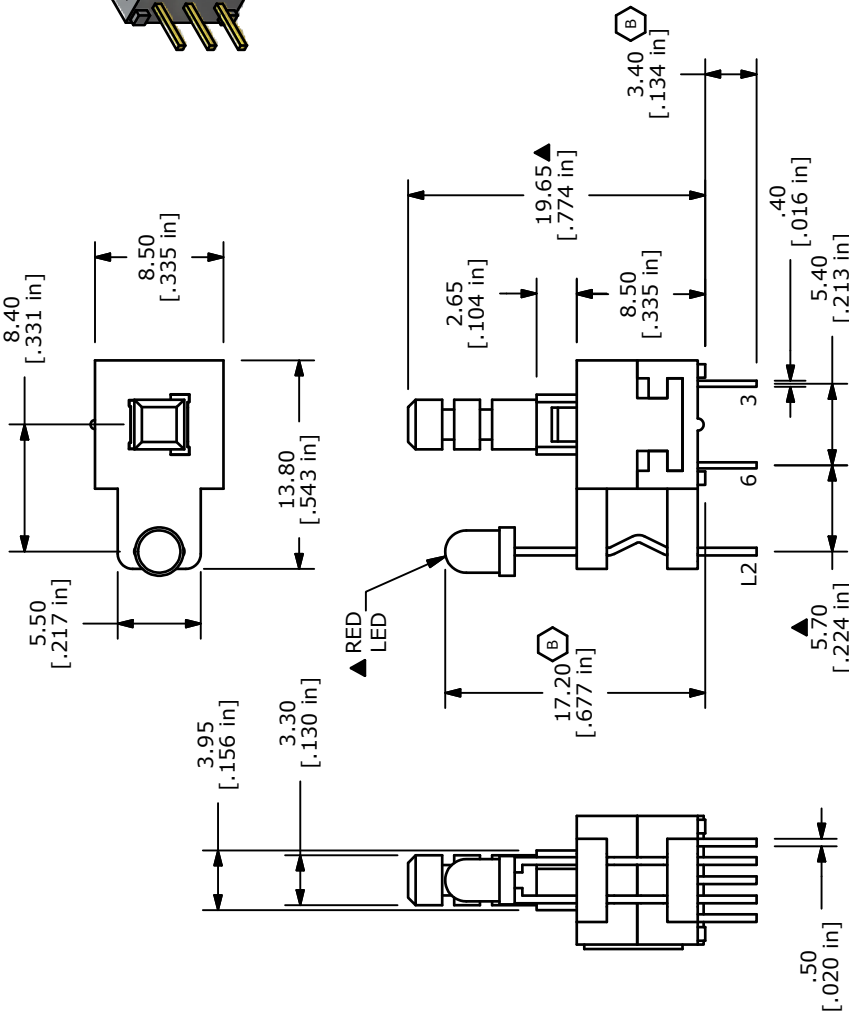
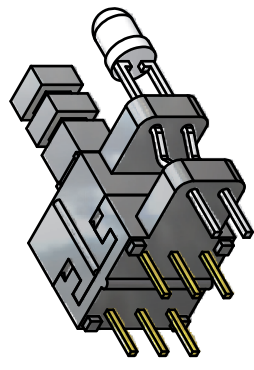


NOTES:

1. ALL DIMENSIONS IN MM [INCH]
2. GENERAL TOLERANCE: X.X±0.4
X.XX±0.25
3. TERMINAL NUMBERS FOR REF. ONLY
4. CONTACT RATING: 0.1A @ 30VDC
5. CONTACT RESISTANCE: 50m OHM MAX.
- ▲ 6. TRAVEL: FULL = 2.5±0.3
7. OPERATING FORCE: 250±100gf
8. ELECTRICAL LIFE: 10,000 CYCLES
9. ▲ DENOTES CRITICAL PARAMETER
10. CONTACT MATERIAL: SILVER
11. OPERATING TEMPERATURE: -20c TO +70c
12. INSULATION RESISTANCE: 100M OHMS MIN.
- ▲ 13. LED COLOR: RED
14. 2002/95/EC (RoHS) COMPLIANT AND HALOGEN FREE



▲ LED SPECS	UNITS	RED
FORWARD CURRENT	mA	20
FORWARD VOLTAGE	V	2.0-2.4
LUMINOUS INTENSITY	MCD	120



TITLE TL22050ACPRA

B	19554	DIM CHANGES & UPDATE	12/30/10	BGL
A	18806	New-Release	1/20/10	rc
REV	PCR NO	DESCRIPTION	DATE	BY

THE INFORMATION CONTAINED IN THIS DOCUMENT IS PROPRIETARY TO E-SWITCH AND IS NOT TO BE COPIED OR TRANSFERRED

SCALE 2:1 DATE 1/20/2010 DR rc

DWG B401007 REV B