

NOTES:

1. MATERIALS AND FINISHES:
  - BODY, BODY REAR - BRASS, NICKEL PLATING
  - CONTACT - BRASS, GOLD PLATING
  - INSULATOR - PTFE, NATURAL
  - INSULATOR-REAR - ULTEM, NATURAL
  - COUPLING NUT - BRASS, NICKEL PLATING
  - CAP - BRASS, NICKEL PLATING
  - FERRULE - SEAMLESS COPPER TUBE, NICKEL PLATING
  - GASKET - RUBBER, RED
  - WASHER - BRASS, NICKEL PLATING
  - SPRING - BERYLLIUM COPPER, NICKEL PLATING

2. ELECTRICAL:
  - A. IMPEDANCE: 75 OHM
  - B. FREQUENCY RANGE: DC - 18 GHz
  - C. RETURN LOSS: -20 dB DC-6 GHz  
-15 dB 6-12 GHz
  - C. DIELECTRIC WITHSTANDING VOLTAGE: 1000 VRMS, MIN.
3. MECHANICAL:
  - A. DURABILITY: 500 CYCLES MIN.
  - B. TEMPERATURE RANGE: -40° C TO +85° C

4. PACKAGING:
  - A. QUANTITY: SINGLE PACK
  - B. MARKING: BAG TO BE MARKED  
"AMPHENOLRF, 31-70544-12G, AND DATE CODE"

5. RECOMMENDED CABLE ASSEMBLY INSTRUCTIONS:
  - A. TRIM CABLE AS SHOWN.
  - B. SLIDE FERRULE ONTO CABLE.
  - C. SLIDE INSULATOR-REAR ONTO CENTER CONDUCTOR IN THE ORIENTATION SHOWN.
  - D. INSERT CABLE AND INSULATOR WITH FOIL ENTERING CONNECTOR AND BRAID OVER KNURL.
  - E. SOLDER CONTACT TO CABLE CENTER CONDUCTOR.
  - F. CRIMP FERRULE OVER BRAID WITH 0.213" HEX DIE.

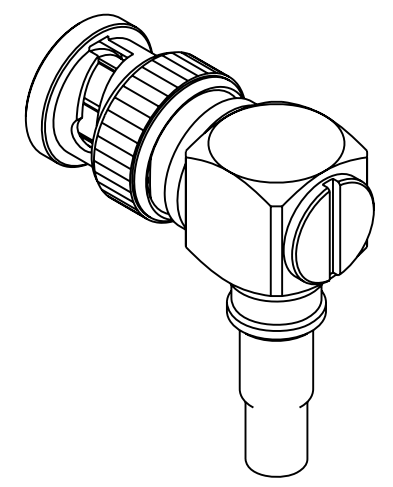
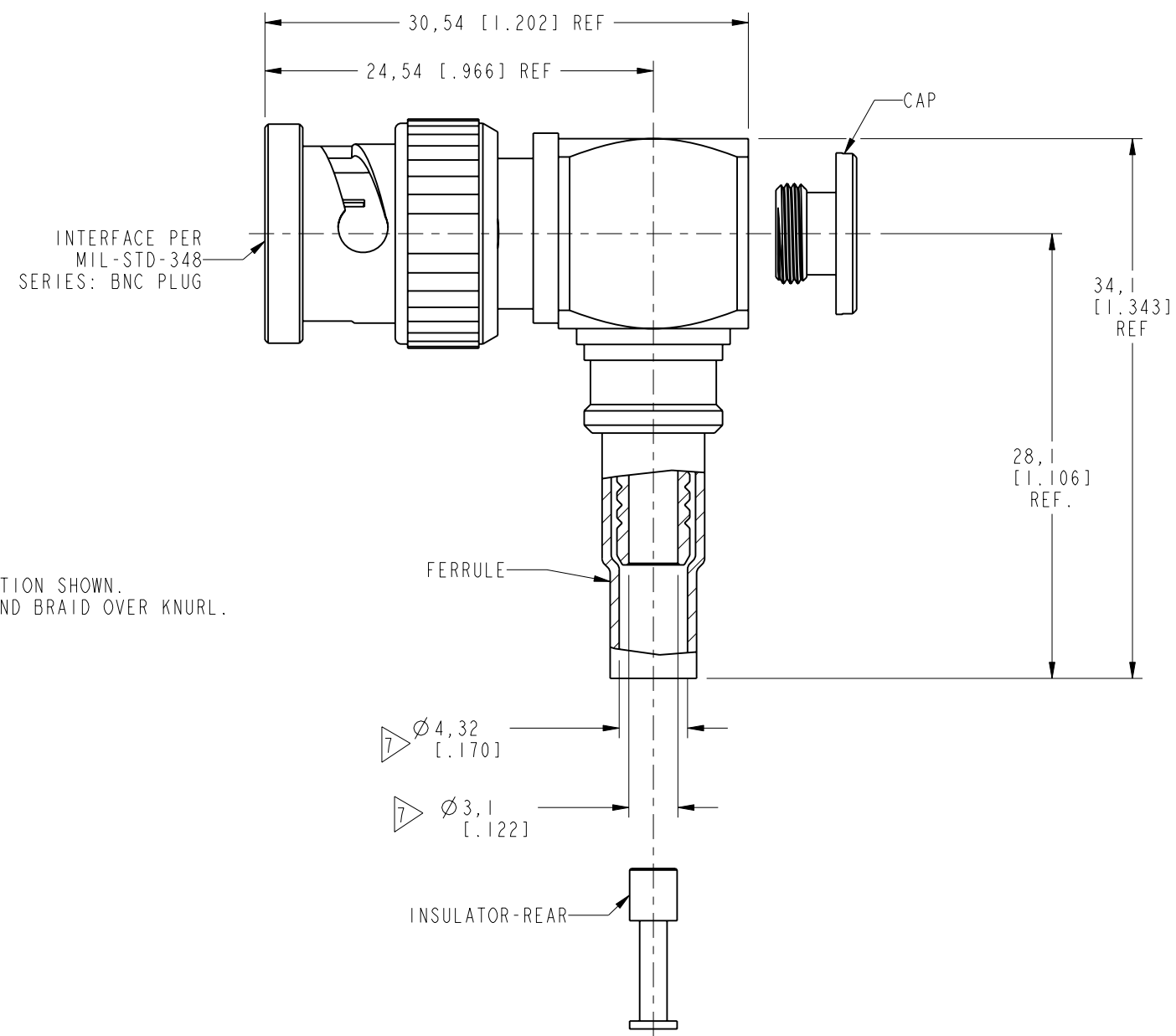
6. CAP ASSEMBLY INSTRUCTIONS:
  - A. ASSEMBLE CAP TO BODY WITH 16-32 IN-OZ TORQUE.

7. SHOWS CABLE ENTRY DIMENSIONS.

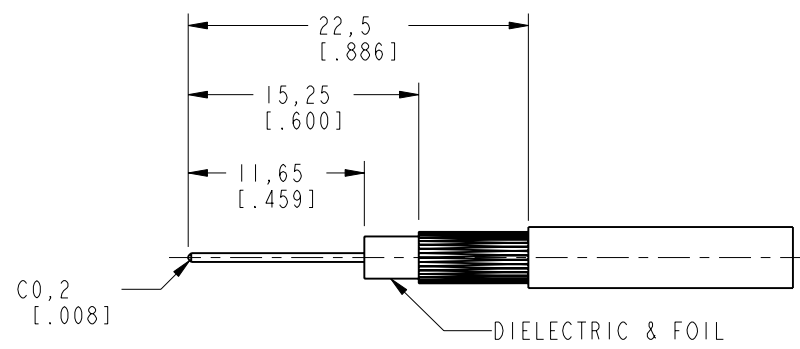
THIRD ANGLE PROJ.

REVISIONS

REV	DESCRIPTION	DATE	ECN	APPR
A	RELEASE TO MFG.	27-Apr-18	07922	KCE



SCALE 1.500



**RECOMMENDED CABLE STRIPPING DIMENSIONS**

**CUSTOMER OUTLINE DRAWING**

ALL OTHER SHEETS ARE FOR INTERNAL USE ONLY

UNLESS OTHERWISE SPECIFIED, DIMENSIONS ARE IN METRIC AND TOLERANCES ARE:
<0.5mm ±0.05mm    0.5 - 6mm ±0.1mm    6 - 30mm ±0.2mm    30 - 120mm ±0.3mm    ANGLES ±1°

NOTICE - These drawings, specifications, or other data (1) are, and remain the property of Amphenol corp. (2) must be returned upon request; and (3) are confidential and not to be disclosed to any person other than those to whom they are given by Amphenol Corp. the furnishing of these drawings, specifications, or other data by Amphenol Corp., or to any other person to anyone for any purpose is not to be regarded by implication or otherwise in any manner licensing, granting rights to permitting such holder or any other person to manufacture, use or sell any product, process or design, patented or otherwise, that may in any way be related to or disclosed by said drawings, specifications, or other data.

MATERIAL SEE NOTES
REFERENCE EAR# 8067
REF:
CONFIGURATION LEVEL: In Work
FINISH

DRAWN W. ZENE	DATE 2-May-18
ENGINEER STAR	DATE 2-May-18
APPROVED S. HSIEH	DATE 7-May-18
CAD FILE	

TITLE R/A BNC PLUG (BELDEN 4855R CABLE)	
SCALE: 2.5:1.0	SHEET 2 OF 2
DWG SIZE B	REV A

Amphenol RF www.amphenolrf.com	
DRAWING NO. 31-70544-12G	
ITEM NO. 31-70544-12G	
PART NO. 31-70544-12G	