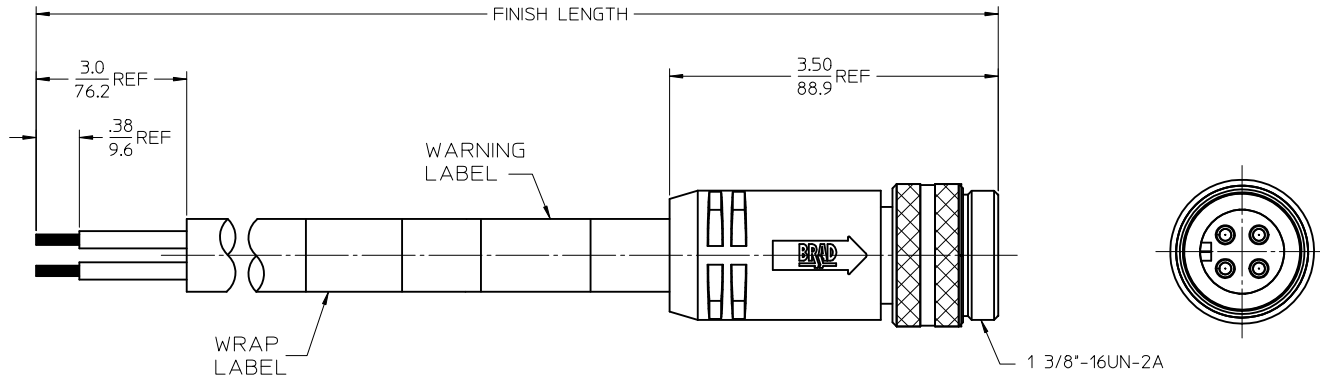
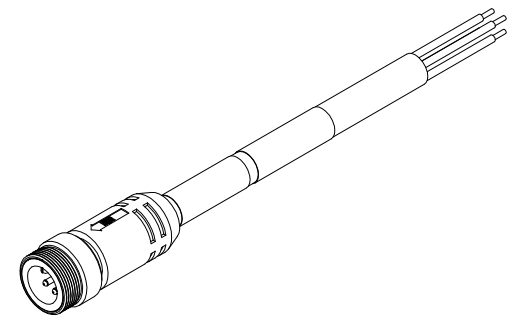
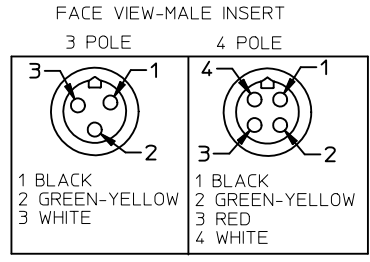


| POLES | MATERIAL NO. | ENG. NO. | AMPS | LENGTH |
|-------|--------------|---------------|------|--------------------------|
| 3 | 1300630042 | C03006A48M020 | 30 | 2M +89-0MM (6'7"+3.50-0) |
| 4 | 1300630150 | C04006A48M020 | 25 | 2M +89-0MM (6'7"+3.50-0) |



SPECS:
 OVERMOLD: GRAY PVC W/BLACK STRIP
 INSERT: BLACK PVC
 COUPLING NUT: ANODIZED ALUMINUM
 CABLE: #10AWG GRAY PVC
 DUAL RATED UL TC/OPEN WIRING & ST00W
 ELECTRICAL: 600V AC/DC

| CREATE DOC EC NO: WNAZ010-0435 DRWN:BRUPERT 2010/01/14 CHKD:R.WOODMAN 2010/01/15 APPR: JFMURPHY 2010/01/15 | QUALITY SYMBOLS ▽=0 ▽=0 | GENERAL TOLERANCES (UNLESS SPECIFIED) <table border="1"> <thead> <tr> <th></th> <th>mm</th> <th>INCH</th> </tr> </thead> <tbody> <tr> <td>4 PLACES</td> <td>± .005</td> <td>± .0005</td> </tr> <tr> <td>3 PLACES</td> <td>± .005</td> <td>± .0005</td> </tr> <tr> <td>2 PLACES</td> <td>± .005</td> <td>± .0005</td> </tr> <tr> <td>1 PLACE</td> <td>± .005</td> <td>± .0005</td> </tr> </tbody> </table> | | mm | INCH | 4 PLACES | ± .005 | ± .0005 | 3 PLACES | ± .005 | ± .0005 | 2 PLACES | ± .005 | ± .0005 | 1 PLACE | ± .005 | ± .0005 | DIMENSION STYLE IN/MM DRAWN BY DATE B. RUPERT 01/12/2010 CHECKED BY DATE B. WOODMAN 01/12/2010 APPROVED BY DATE JFMURPHY 2010/01/15 | SCALE DESIGN UNITS INCH THIRD ANGLE PROJECTION | TITLE QUICK CHANGE MALE STRAIGHT 3 & 4 POLE PORTABLES MOLEX INCORPORATED |
|---|--------------------------------------|--|---|----|------|----------|--------|---------|----------|--------|---------|----------|--------|---------|---------|--------|---------|--|---|--|
| | | mm | INCH | | | | | | | | | | | | | | | | | |
| | 4 PLACES | ± .005 | ± .0005 | | | | | | | | | | | | | | | | | |
| | 3 PLACES | ± .005 | ± .0005 | | | | | | | | | | | | | | | | | |
| 2 PLACES | ± .005 | ± .0005 | | | | | | | | | | | | | | | | | | |
| 1 PLACE | ± .005 | ± .0005 | | | | | | | | | | | | | | | | | | |
| MATERIAL NO. SEE CHART | DOCUMENT NO. SD-130063-042 | SHEET NO. 1 OF 1 | | | | | | | | | | | | | | | | | | |
| DRAFT WHERE APPLICABLE MUST REMAIN WITHIN DIMENSIONS | | | THIS DRAWING CONTAINS INFORMATION THAT IS PROPRIETARY TO MOLEX INCORPORATED AND SHOULD NOT BE USED WITHOUT WRITTEN PERMISSION | | | | | | | | | | | | | | | | | |
| REV A | | | | | | | | | | | | | | | | | | | | |