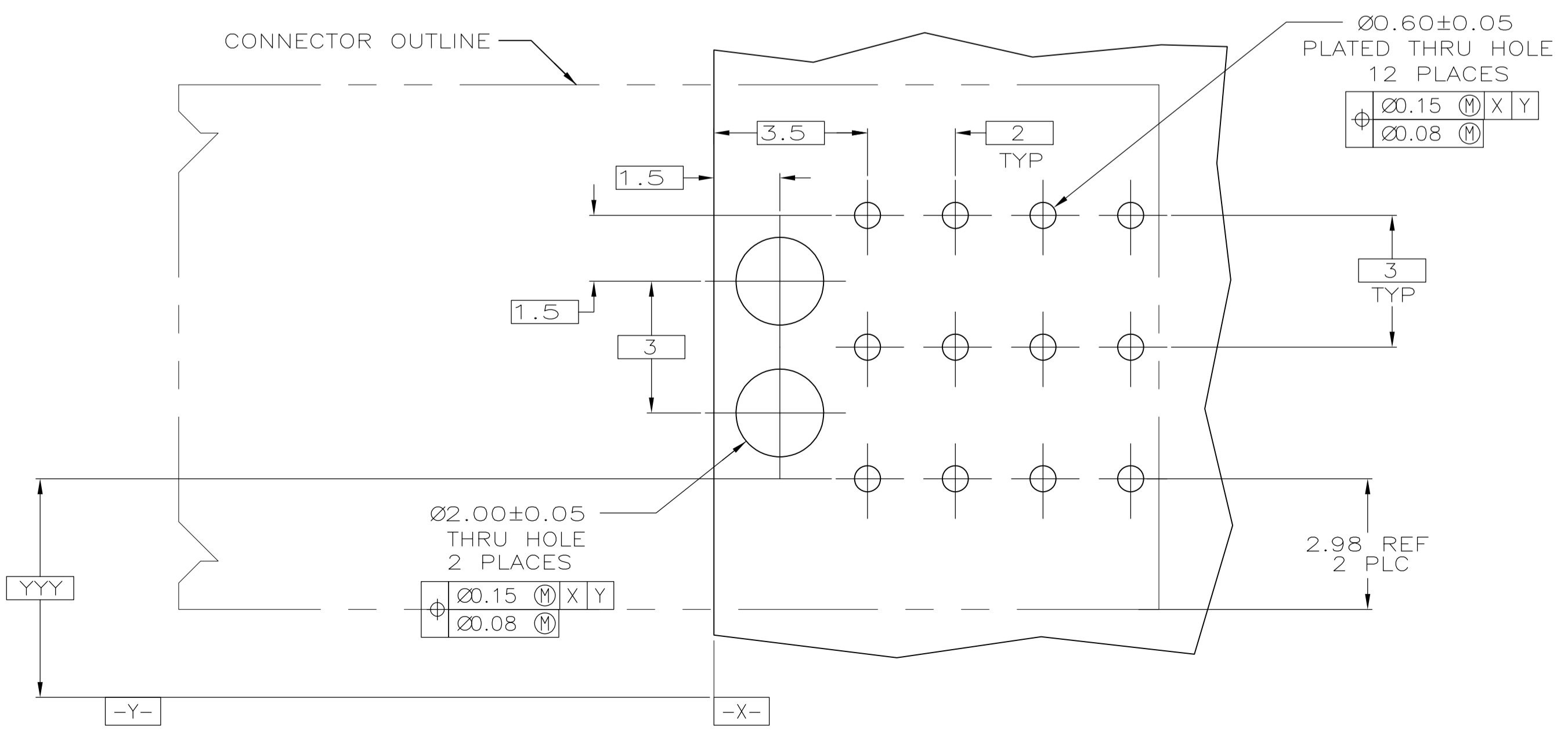
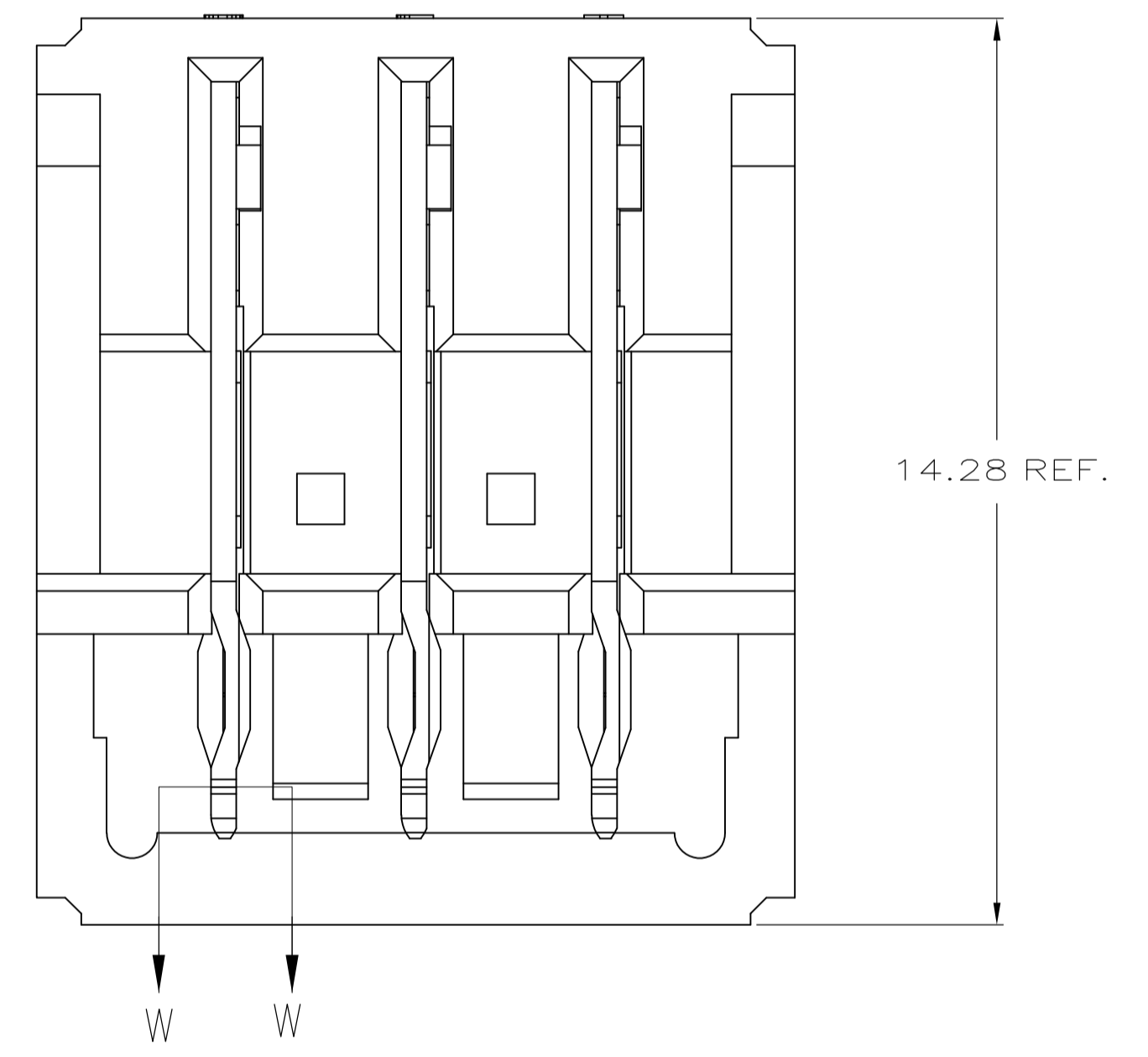
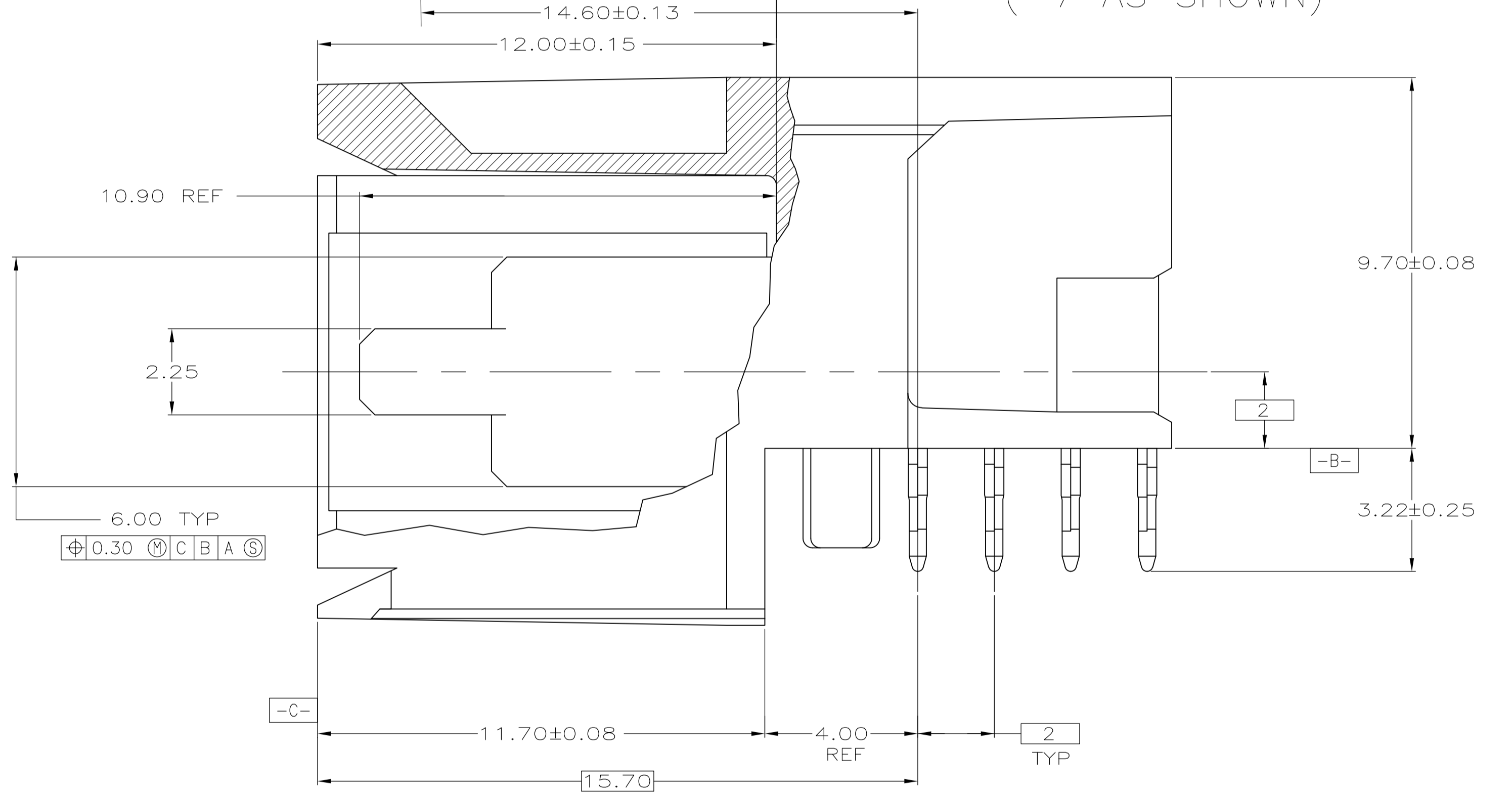
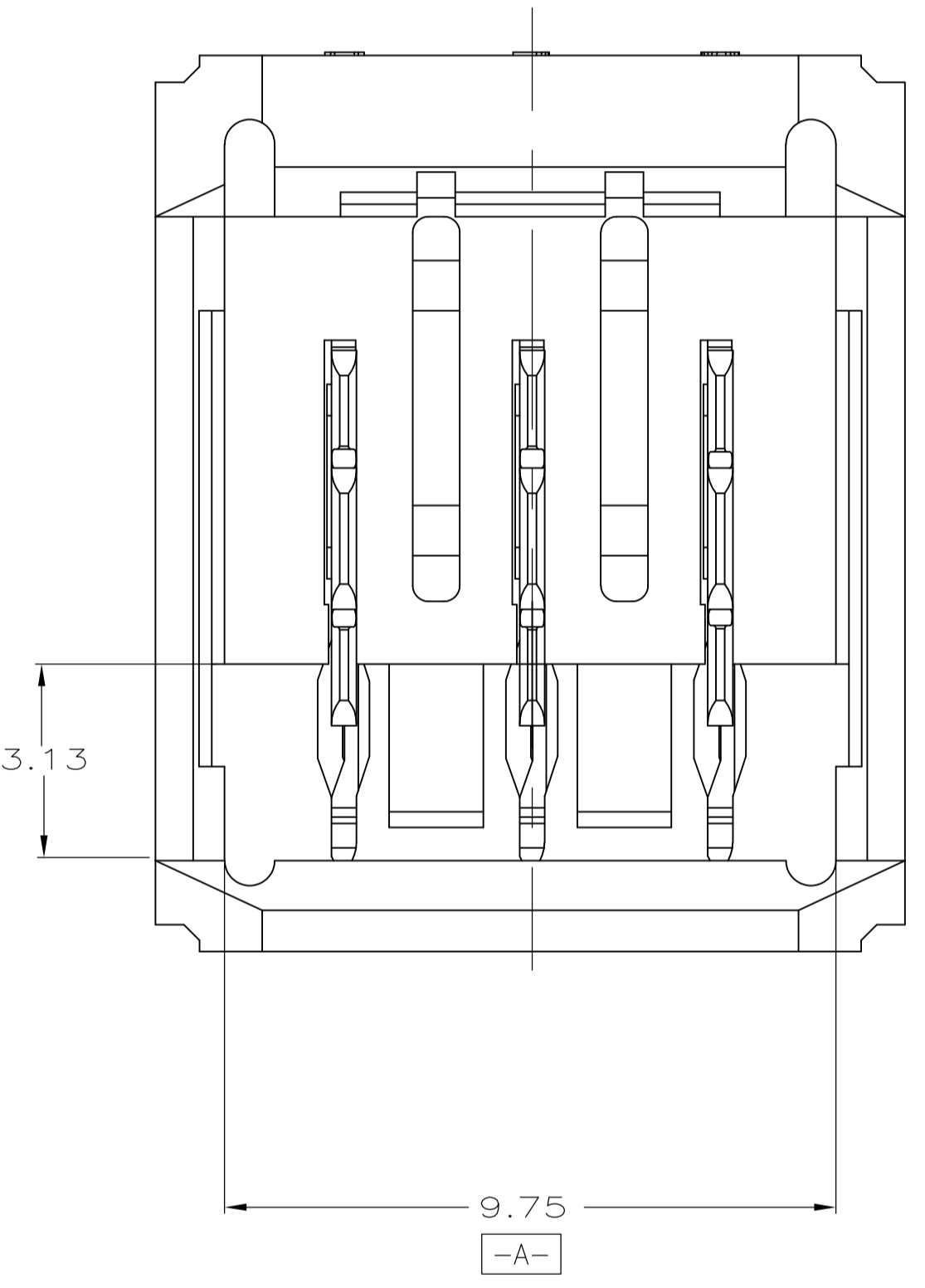
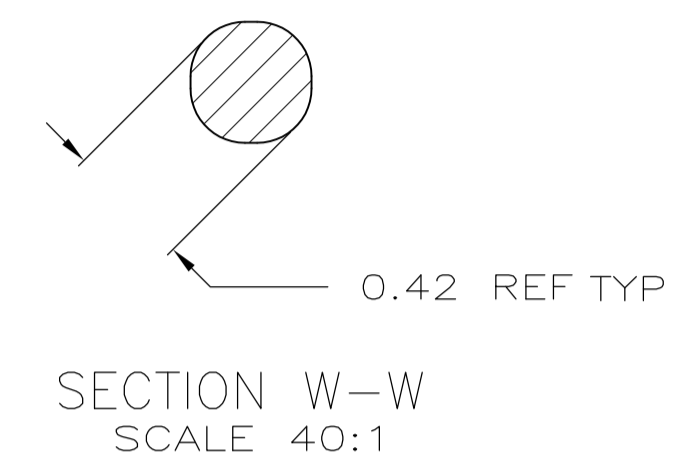


- 1 MATERIAL: HOUSING: POLYESTER. COLOR: GRAY. UL 94V-0. CONTACT: HIGH CONDUCTIVITY COPPER ALLOY.
- 2 FINISH: CONTACT MATING AREA: GOLD PLATE, ACTION PIN AREA: 0.5um MIN TIN PLATE, ALL OVER 1.27um MIN NICKEL UNDERPLATE.
- 3 FINISH: CONTACT LUBRICATION WITH BELLCORE APPROVED LUBRICANT, TECHNICAL REFERENCE: TR-NWT-001217, ISSUE 1, SEPTEMBER 1992.



2 3	A	B	C	1-292286-1
2 3	-	B	A,C	1-292286-0
2 3	-	C	A,B	292286-9
2 3	-	-	A,B,C	292286-8
2 3	A	C	B	292286-7
2 3	A	-	B,C	292286-6
2 3	-	A,B,C	-	292286-5
2 3	A	B	C	292286-4
2 3	B	A,C	-	292286-3
2 3	A,C	B	-	292286-2
2 3	A,B,C	-	-	292286-1
2 3	POSITIONS LOADED WITH 10.90 REF CONTACTS	POSITIONS LOADED WITH 9.30 REF CONTACTS	POSITIONS LOADED WITH 7.68 REF CONTACTS	ASSY P/N
FINISH				

THIS DRAWING IS A CONTROLLED DOCUMENT.		DWN ROY HAO 08SEP2003	Tyco Electronics Corporation Shanghai, P.R.China, 200233	
DIMENSIONS: mm		CHK STEVEN YAO 08SEP2003	NAME	
TOLERANCES UNLESS OTHERWISE SPECIFIED:		APVD T.SASAKI 08SEP2003	PRODUCT SPEC	
0 PLC ± -		108-1651		
1 PLC ± -		APPLICATION SPEC		
2 PLC ± 0.13		114-1103		
3 PLC ± -		SIZE CODE DRAWING NO		
4 PLC ± -		A1 00779 C=292286		
ANGLES ± -		RESTRICTED TO		
MATERIAL SEE TABLE	FINISH SEE TABLE	WEIGHT -	CUSTOMER DRAWING	
SCALE NTS		SHEET 1 of 1		REV B2

RECOMMENDED PCB HOLE LAYOUT