

CUSTOMER: ECOTONE
CUSTOMER PN:
UCC PN: E82D800VST393MCA5T
UCC MAXCIM NO.: 92908

ELECTRICAL CRITERIA

CAPACITANCE (120Hz/20°C): 39000 μ F
 CAP.TOLERANCE: $\pm 20\%$
 RATED VDC 80 V
 SURGE VDC (30 sec): 100 V
 MAX. ESR (120Hz/20°C): 6.3 m Ω
 MAX. IRMS (120Hz/85°C): 19.4 A
 MAX. DCL (V_{DC}/5:00/20°C): 7.065 mA

MECHANICAL CRITERIA

MAX. VIBRATION: 10-55Hz 10g
 TYP. WEIGHT: 273 grams

OPERATING CRITERIA

MAX. TEMPERATURE: +85 °C
 MIN. TEMPERATURE: -40 °C
 LOAD LIFE (V_{DC}+I_{RMS}/85°C): 2000 Hrs
 MAX. Δ CAP. (measured value): $\pm 20\%$
 MAX. ESR (specified value): +200 %
 MAX. DCL (V_{DC}/5:00/20°C): 7.065 mA
 SHELF LIFE (85°C): 1000 Hrs
 MAX. Δ CAP. (measured value): $\pm 20\%$
 MAX. ESR (specified value): +150 %
 MAX. DCL (V_{DC}/5:00/20°C): 7.065 mA

IRMS FREQUENCY MULTIPLIERS

V _{DC}	50Hz	120Hz	300Hz	1kHz	10kHz	100kHz
6.3-50	0.95	1.00	1.03	1.05	1.08	1.08
63-100	0.92	1.00	1.07	1.12	1.19	1.20
160-250	0.81	1.00	1.17	1.32	1.45	1.50
315-500	0.77	1.00	1.16	1.30	1.41	1.43

IRMS AMBIENT MULTIPLIERS

45°C	60°C	70°C	85°C
1.73	1.50	1.32	1.00

COMMENTS

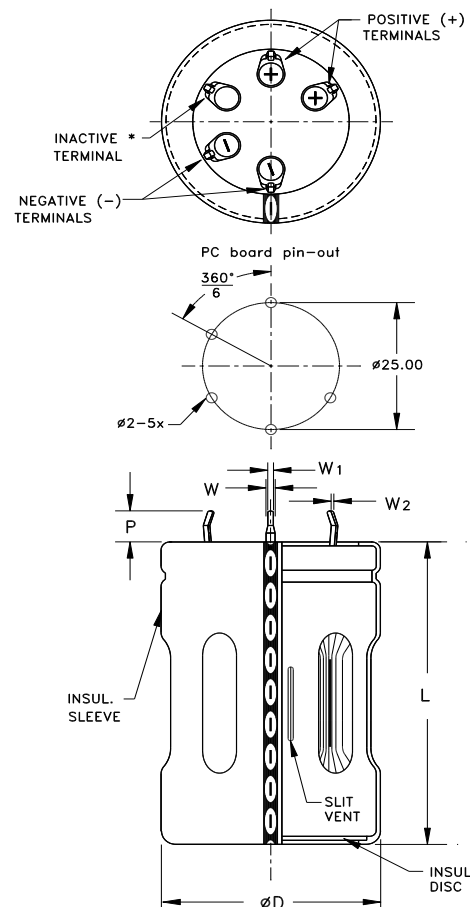
RoHS Compliant

DIMENSIONAL CRITERIA

X	mm		in	
	min	max	min	max
\varnothing D	50.0	- NA		+ 1.0
L	105.0	- 2.0		+ 2.0
P	3.5	- 1.0		+ 1.0
W	1.5	- 0.2		+ 0.2
W ₁	1.0	- 0.1		+ 0.1
W ₂	1.0	- 0.1		+ 0.1

MARKING

82DA 85°C
 39000uF(M) 80V
 Date Code



* Inactive terminal for mechanical support only.

TDS NO.: TDS-09-0337
 AUTHOR: LMI
 DATE: 23-APR-2009